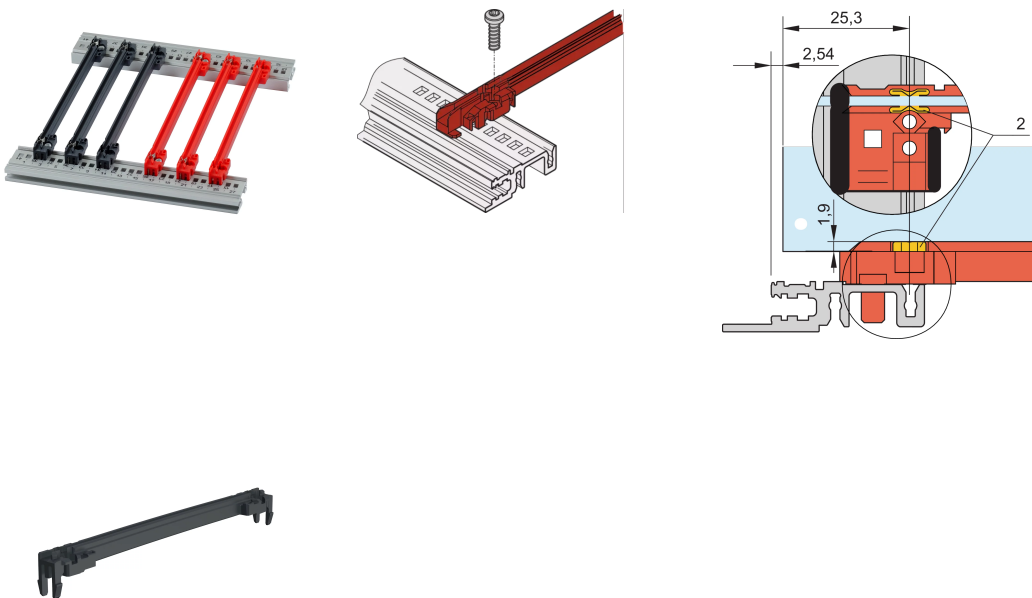


# Guide Rail Accessory Type, PC, 220 mm, 2 mm Groove Width, Red

## Power Utilities

物料号

**64568-006**



New generation of accessory type guide rails for PCBs or plug-in units. Forms a reliable interface between the subrack mechanics and the sub-assemblies.

功能

NEW generation accessory type plastic guide rails for reliable retention of PCBs or plug-in units

Significantly increased stability, due to a optimized design and high quality material (PC)

Improved fire safety properties, fulfills EN 45545-2 requirement sets R22, R23 and R24 with HL3

“Halogen-Free” , according to IEC 61249-2-21

Can be clipped into horizontal rails (Al extrusion) or into 1.5 mm thick plates

Can be bolted to the horizontal rails Type H and R for higher shock and vibration requirements

Optional ESD clip for an conductive contact between PCB and horizontal rail available

Storage temperature: from -40 °C ... 130 °C

## 产品属性

---

产品类型: 导轨

类型: 附件

搭配: 插箱; 仪器箱; 19" 机箱; 系统

板深度: 220 mm

槽宽: 2

材料: 聚碳酸酯

颜色: 红色

符合: EN 45545-2

包装数量: 50

## 其他产品详情

---

Please take into consideration that deliveries may be carried out in the stated SPQs (SPQ, e.g. 5 pieces, 10 pieces, 50 pieces, etc.). Differing order quantities (e.g. 2 pieces) may be changed to the next possible delivery quantity = Standard Pack Quantity.

## 警告

---

应仅根据 nVent 的产品说明书与培训材料安装并使用 nVent 的产品。可访问 [www.nvent.com](http://www.nvent.com) 获取说明书，或者向您的 nVent 客服代表索取。错误安装、使用不当、滥用或未能完全遵守 nVent

的说明与警告，可能会造成产品故障、财产损失、严重的人身伤害及死亡和/或使得保修服务无效。



我们强大的品牌组合:

**CADDY ERICO HOFFMAN ILSCO SCHROFF TRACHTE**