

CONNECT AND PROTECT

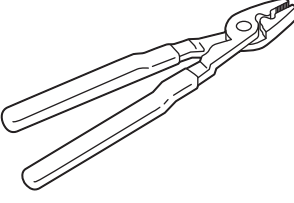

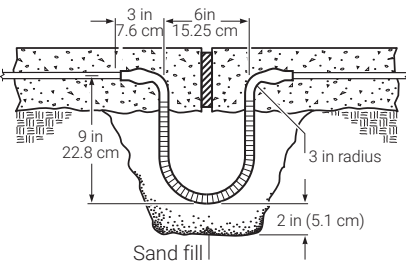
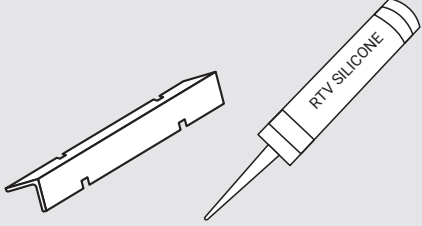
Connection kits and accessories

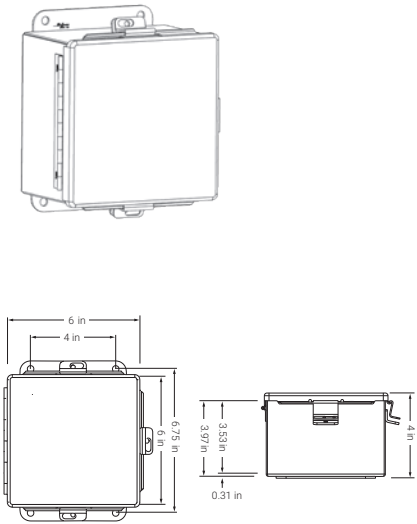
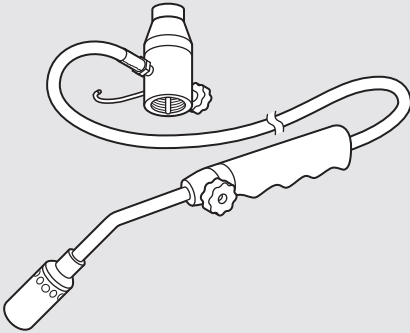
CONNECTION KITS

| Catalog number | Part number | Description |
|--------------------------|--------------------------|---|
| EMK-XC-USA EMK-XC-CAN | P000002361 P000004433 | <p>The power connection and end seal kit is two water-resistant electrical assemblies that are sealed with a proprietary adhesive and protected by crosslinked, modified polyolefin heat-shrinkable tubes. EMK-XC-USA is for USA only and EMK-XC-CAN is for Canada only.</p> <p>Storage temperature: -40°F to 140°F (-40°C to 60°C) Minimum installation temperature: 0°F (-18°C) Power connection wire size: 8 AWG Voltage rating: 277 V Packaging: One power connection and one end seal per box Shipping weight: 3.8 lbs (1.7 kg)</p> |
| EMK-XS | 356667-000 | <p>The splice kit is a water-resistant electrical assembly that is sealed with a proprietary adhesive and protected by a crosslinked, modified polyolefin heat-shrinkable tube.</p> <p>Storage temperature: -40°F to 140°F (-40°C to 60°C) Minimum installation temperature: 0°F (-18°C) Voltage rating: 277 V Packaging: One splice kit per box Shipping weight: 0.2 lb (91 g)</p> |


ACCESSORIES

| Catalog number | Part number | Description |
|----------------|-------------|---|
| EMK-XJR | 693647-000 | <p>The jacket repair kit is a heat-shrinkable wrap-around sleeve for covering a damaged outer jacket. The repair sleeve is adhesive-lined and comes with a removable metal closure.</p> <p>Nominal length: 12 in (30.5 cm) Packaging: One repair sleeve per kit Shipping weight: 0.8 lb (365 g)</p> |
| EMK-XCT | 906441-000 | <p>The nylon cable ties are seven-inch nylon industrial cable ties.</p> <p>Manufacturer: Panduit Model number: PLT2S-C Length: 7-3/8" ± 1/2" (18.74 cm ± 1.25 cm) Width: 3/16" (0.48 cm) Packaging: 100 per pack Shipping weight: 0.5 lb (227 g)</p> |

| Catalog number | Part number | Description |
|---|-------------|---|
| EMK-XT  | 980631-000 | <p>The crimping tool is the correct size for the crimps in the connection kit.</p> <p>Manufacturer: Ideal Model number: 30-429 Length: 10" (25.4 cm) Packaging: One per kit Shipping weight: 1.2 lbs (545 g)</p> |
| SMCS  | P000000659 | <p>Snow melt caution sign. Dimensions 6 x 4 in (150 x 100 mm)</p> |
| EMK-XEJ  | 472207-000 | <p>The expansion joint kit provides physical protection for the heating cable beneath slab joints. An expansion tube is used to form an expansion loop for the heating cable.</p> <p>Storage temperature: -40°F to 140°F (-40°C to 60°C) Minimum installation temperature: 0°F (-18°C) Packaging: One expansion joint protection per kit Shipping weight: 0.3 lb (140 g)</p> |
| EMK-XCJ  | P000002362 | <p>The crack control joint kit provides physical protection for the heating cable crossing crack control joints.</p> <p>Storage temperature: -40°F to 80°F (-40°C to 27°C) Minimum installation temperature: 0°F (-18°C) Packaging: One crack control joint protection per kit Shipping weight: 2.5 lb (1.2 kg)</p> |

| Catalog number | Part number | Description |
|---|-------------|--|
| EMK-JB  | P000004426 | <p>The junction box is a UL Listed weatherproof enclosure suitable for use with the EMK-XC power connection kit. The junction box is large enough for one or two power connections for EM2-XR heaters, depending of the branch wiring size and termination method used*. The enclosure is made of painted steel with a continuous hinge and stainless steel clamps on three sides. It provides environmental protection and security in outdoor applications.</p> <p>Manufacturer: nVent HOFFMAN Continuous Hinge with Clamps, Type 4, catalog number A606CHNF Inside dimensions: 5 7/8" x 5 7/8" x 3 7/8" (14.9 cm x 14.9 cm x 9.8 cm) Inside volume: 134 in³ (2180 cm³) Outside dimensions: 6" x 6" x 4" (15.2 cm x 15.2 cm x 10.2 cm) UL Standard: UL508 A, 50, 50E NEMA rating: Types 4, 12, 13 as indicated Packaging: One junction box per kit Shipping weight: 4.3 lbs (2 kg)</p> <p>*Note: EM2-XR heaters are terminated to the power connection wires embedded in concrete using EMK-XC power connection and end seal kit only. EM2-XR heaters are not terminated in junction boxes.</p> |
| FH-2618A-1  | 357446-000 | <p>The propane torch is suitable for heat shrinking the connection kits. It includes a hose, a handle assembly, and comes equipped with a regulating valve.</p> <p>Packaging: One per kit Shipping weight: 5 lbs (2.27 kg)</p> |

APPROVALS

 Listed for use with EM2-XR de-icing and snow melting system

The EM2-XR heating cable is c-UL-us Listed only when used with the appropriate agency-approved nVent connection kits and accessories.

DESIGN AND INSTALLATION

For proper design and installation of an ElectroMelt connection kit, use the appropriate product design guide and the installation instructions included with the connection kit.

GROUND-FAULT PROTECTION

To minimize the danger of fire from sustained electrical arcing if the heating cable is damaged or improperly installed, and to comply with the requirements of nVent, agency certifications, and national electrical codes, ground-fault equipment protection must be used on each heating cable branch circuit. Arcing may not be stopped by conventional circuit protection. Many nVent RAYCHEM control and monitoring systems meet the ground-fault protection requirement.

North America

Tel +1.800.545.6258
Fax +1.800.527.5703
thermal.info@nVent.com



Our powerful portfolio of brands:

CADDY ERICO HOFFMAN RAYCHEM SCHROFF TRACER

©2024 nVent. All nVent marks and logos are owned or licensed by nVent Services GmbH or its affiliates. All other trademarks are the property of their respective owners. nVent reserves the right to change specifications without notice.

RAYCHEM-DS-H58180-EMConnectionKits-EN-2403