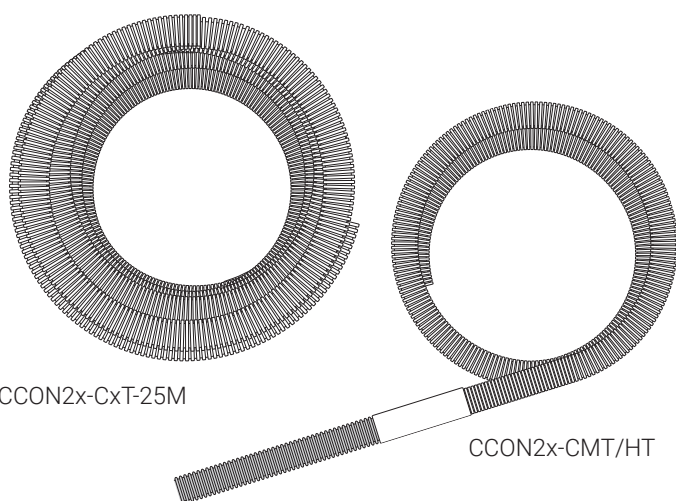


Conduit for protection of heating cables

PRODUCT OVERVIEW



These conduits have been designed for use in combination with the conduit connection kits nVent RAYCHEM CCON2x-100-... They provide supplementary mechanical protection of the heating cable or cold lead between a junction box and the entry into the insulation. The conduit materials have been selected to meet the requirements for use in hazardous locations.

The resistance of the conduits to fuels, mineral oils, fats, alkalis, acids and bases is excellent.

The conduits can be cut-to-length as required in the field and can either be entered in the insulation directly or by use of an insulation entry kit.

Application

Conduit for protection of heating cables

Kit content

| | M20 CCON20-CHT-... | M25 CCON25-CHT-... |
|--------------------|---|---|
| Pipe stands | 2 | 1 |
| Conduit connectors | 2 | 1 |
| Pipe straps | Pipe straps need to be ordered separately | Pipe straps need to be ordered separately |

PRODUCT SPECIFICATIONS

Technical details

| | M20 CCON20-CHT-... | M25 CCON25-CHT-... |
|---|---|-----------------------|
| Medium temperature conduit (150°C) | | |
| Conduit size | ND 17 mm | ND 23 mm |
| Outer diameter (nominal) | 21.2 mm | 28.5 mm |
| Bending radius (static) | 40 mm | 45 mm |
| Weight (kg/100 m) | 5.7 | 9.9 |
| Material | Modified polyamide | |
| Temperature range (continuous) | -40°C to +135°C (compatible with surface temperature of all heating cables) | |
| Exposure temperature | 150°C (3000 h intermittent, cumulative) | |
| Impact strength | Minimum 6 J @ -40°C (empty conduit), min. 7 J with all heating cables | |
| Flame class | HB as per UL 94 | |

| | M20 | M25 |
|---|---|----------------|
| | CCON20-CHT-... | CCON25-CHT-... |
| High temperature conduit (260°C) | | |
| Conduit size | ND 17 mm | ND 23 mm |
| Oute | 21.1 mm | 28.8 mm |
| Bending radius (static) | 15 mm | 26 mm |
| Weight (kg/100 m) | 8.3 | 14.8 |
| Material | PFA | |
| Temperature range | -200°C to +260°C | |
| Impact strength | Minimum 2.5 J (empty conduit), min. 7 J with all heating cables | |
| Flame class | V0 as per UL 94 | |

Combined medium and high temperature conduit

| | | |
|--|--|--|
| | Ideal for direct entry into cladding for high pipe temperatures. | 1.67 m length of medium temperature conduit for connection to the junction box connected to 33 cm of high temperature conduit for connection to the hot surface. |
|--|--|--|

APPROVALS

For use in ordinary and hazardous area Zone 1 / Zone 21 and Zone 2 / Zone 22 (Gas and Dust)

Temperature classification

Temperature classification is defined by the complete system

Product certification



More details about product certification, approvals and conditions of safe use are available in the installation manual at www.nVent.com/RAYCHEM.

ORDERING INFORMATION

| Conduit size | ND 17 mm | ND 23 mm |
|--|--|---|
| Pack of 2 m of medium temperature conduit | CCON20-CMT-2M (PN: 1244-003286/Weight: 0.12 kg) | CCON25-CMT-2M (PN: 1244-003281/Weight: 0.20 kg) |
| Pack of 25 m of medium temperature conduit | CCON20-CMT-25M (PN: 1244-003285/Weight: 1.44 kg) | CCON25-CMT-25M (PN: 1244-003280/Weight: 2.25 kg) |
| Pack of 2 m of high temperature conduit | CCON20-CHT-2M (PN: 1244-003289/Weight: 0.16 kg) | CCON25-CHT-2M (PN: 1244-003284/Weight: 0.28 kg) |
| Pack of 25 m of high temperature conduit | CCON20-CHT-25M (PN: 124-003288/Weight: 2.24 kg) | CCON25-CHT-25M (PN: 1244-003283/Weight: 3.90 kg) |
| 1 pc of combination med./high temperature conduit (1.67 m medium temperature with 0.33 m high temperature) | CCON20-CMT/HT-1.67/0.33M (PN: 1244-003475/Weight: 0.135 kg) | CCON25-CMT/HT-1.67/0.33M (PN: 1244-003474/Weight: 0.24 kg) |

Accessories

| | | |
|--|--------------------------------|--------------------------------|
| Insulation entry kit comprising of pipe stand with conduit connection system | IEK20-CON (PN: 1244-003291) | IEK25-CON (PN: 1244-003290) |
|--|--------------------------------|--------------------------------|

North America

Tel +1.800.545.6258
Fax +1.800.527.5703
thermal.info@nVent.com

Europe, Middle East, Africa

Tel +32.16.213.502
Fax +32.16.213.604
thermal.info@nVent.com

Asia Pacific

Tel +86.21.2412.1688
Fax +86.21.5426.3167
cn.thermal.info@nVent.com

Latin America

Tel +1.713.868.4800
Fax +1.713.868.2333
thermal.info@nVent.com



Our powerful portfolio of brands:

CADDY ERICO HOFFMAN RAYCHEM SCHROFF TRACER