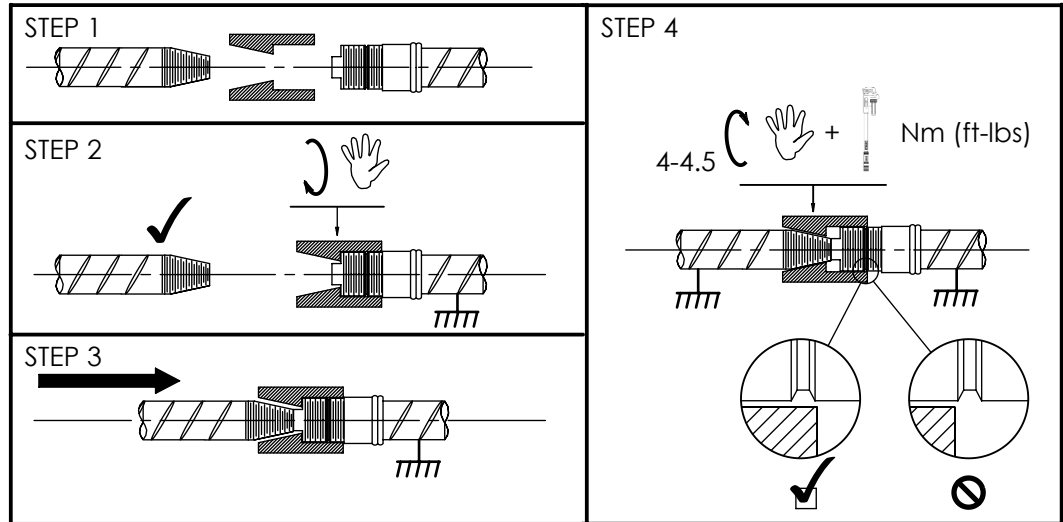
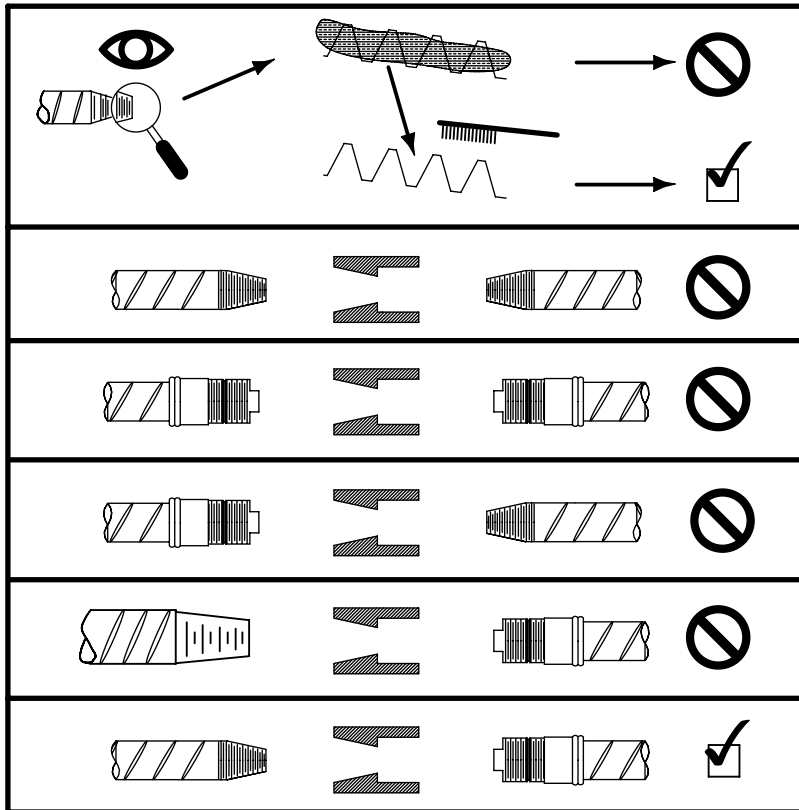


nVent LENTON Ultimate Hybrid Position Coupler PM04 Assembly



Assembly Part Number	Component 1 Parallel Stud	Component 2 Coupler	Ø			Torque	
			US	Metric	Canada	Nm	ft.-lb
LU12PM04	LU12MS04	LU12PT04	#4	12	10M	40	30
LU16PM04	LU16MS04	LU16PT04	#5	16	15M	120	90
LU20PM04	LU20MS04	LU20PT04	#6	20	20M	180	130
LU22PM04	LU22MS04	LU22PT04	#7	22	-	220	160
LU25PM04	LU25MS04	LU25PT04	#8	25	25M	270	200
LU28PM04	LU28MS04	LU28PT04	#9	28	30M	270	200
LU32PM04	LU32MS04	LU32PT04	#10	32	-	300	200*
LU36PM04	LU36MS04	LU36PT04	#11	36	35M	300	200*
LU40PM04	LU40MS04	LU40PT04	-	40	-	350	200*
LU43TPM04	LU43TMS04	LU43TPT04	#14	43	45M	350	200*
LU50TPM04	LU50TMS04	LU50TPT04	-	50	-	350	200*
LU57TPM04	LU57TMS04	LU57TPT04	#18	57	55M	350	200*

+Metric and imperial table values are not a direct conversion

*Americas only

WARNING:

- nVent products shall be installed and used only as indicated in nVent product instruction sheets and training materials. Instruction sheets are available at www.nVent.com and from your nVent customer service representative.
- nVent products must never be used for a purpose other than the purpose for which they were designed or in a manner that exceeds specified load ratings.
- All instructions must be completely followed to ensure proper and safe installation and performance.
- Improper installation, misuse, misapplication or other failure to completely follow nVent's instructions and warnings may cause product malfunction, property damage, serious bodily injury and/or death, and void your warranty.

The customer is responsible for:

- Conformance to all governing codes.
- The integrity of structures to which the products are attached, including their capability of safely accepting the loads imposed, as evaluated by a qualified engineer.
- Using appropriate industry standard hardware as noted above.

SAFETY INSTRUCTIONS:

All governing codes and regulations and those required by the job site must be observed. Always use appropriate safety equipment such as eye protection, hard hat, and gloves as appropriate to the application.

nVent, nVent CADDY, nVent ERICO Cadweld, nVent ERICO Critec, nVent ERICO, nVent ERIFLEX, and nVent LENTON are registered trademarks of nVent or its global affiliates. All other trademarks are the property of their respective owners. nVent reserves the right to change specifications without prior notice.