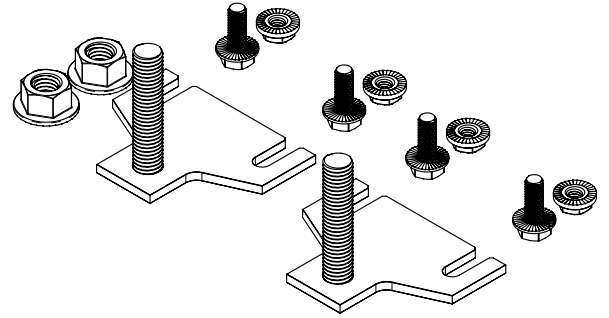


T-Bracket Mounting Bracket Kit for CABS Imperial

- 2X T-Brackets
- 2X M10 Hex Nuts
- 4X M6 Hex Bolts
- 4X M6 Hex Nuts

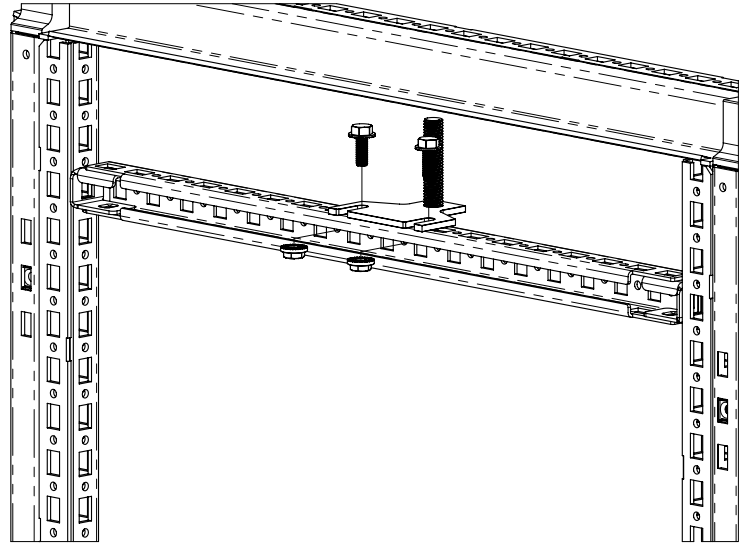


ONLY USE APPROVED HARDWARE

Step 1 - Attach brackets to frame using included M6 hardware only. Hand tighten the included M6 bolt and nut until snug.

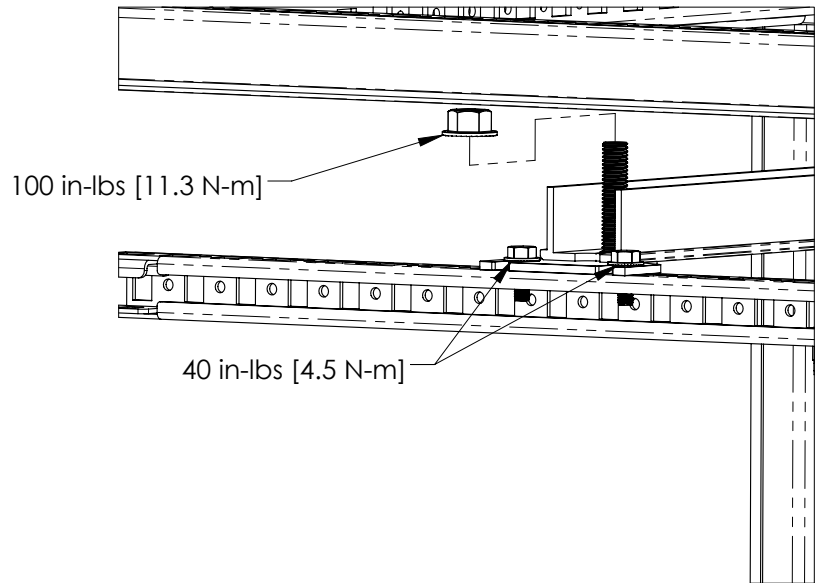
Alternative: Use two (2) cage nuts (not included) instead of hex nuts.

Verify load bearing capacity, spacing of CABS supports, and assembly configuration prior to installing brackets or cage nuts.

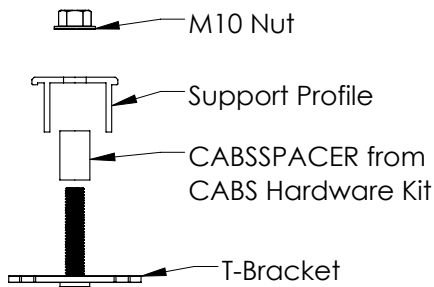


Step 2 - Attach assembly to enclosure or brackets. Reference Instruction Sheet IP 8347 for CABS assembly details. Tighten bolts as shown.

Reference IP8347 for CABS system installation.



Alternative installation:



WARNING:

1. nVent products shall be installed and used only as indicated in nVent product instruction sheets and training materials. Instruction sheets are available at www.nVent.com and from your nVent customer service representative.
2. nVent products must never be used for a purpose other than the purpose for which they were designed or in a manner that exceeds specified load ratings.
3. All instructions must be completely followed to ensure proper and safe installation and performance.
4. Improper installation, misuse, misapplication or other failure to completely follow nVent's instructions and warnings may cause product malfunction, property damage, serious bodily injury and/or death, and void your warranty.

SAFETY INSTRUCTIONS:

All governing codes and regulations and those required by the job site must be observed. Always use appropriate safety equipment such as eye protection, hard hat, and gloves as appropriate to the application.

nVent, CADDY, ERICO CADWELD, ERICO CRITEC, ERICO, ERIFLEX, and LENTON are owned by nVent or its global affiliates. All other trademarks are the property of their respective owners. nVent reserves the right to change specifications without prior notice.