

Flush Mounting Instructions

PREPARATION



DANGER: *Electrical shock or burn hazard. Installation of TVSS should be made by qualified personnel. Failure to lockout electrical power during installation or maintenance can result in fatal electrocution or severe burns.*

These installation instructions apply specifically for the Flush Mount installation of the TDX range of Surge Protectors. These instructions are to be used in conjunction with the installation instructions for the TDX product.

To simplify installation it is recommended to use a short (<6") flexible conduit to connect the TVSS nipple to the electrical panel. The TVSS is then mechanically fixed by connecting the TVSS to the Flush Cover Plate, which in turn is fixed to the drywall.

Alternatively the TVSS can be mechanically fixed via its flanges and/or nipple. However, care is required to ensure the TVSS is positioned so the front is flush with the outer drywall.

This kit includes:

- a) 1 x Flush Cover plate (FCP)
- b) 2 x Mounting Brackets
- c) 4 x FCP Mounting Screws
- d) Instructions

Quick Installation

1. Disconnect and lockout electrical power to the electrical panel (load center / panelboard / circuit breaker box) where the TDX/FCP is to be installed. Follow all applicable electrical codes and procedures.
2. Loosen front screws in TDX end plates as shown in Figure 1. Apply FCP Mounting Brackets and retighten TDX screws.
3. Attach flexible conduit (not included in FCP kit) to the TDX unit.
4. Mark and cut out section of drywall allowing approximately 1/2" clearance around TDX enclosure and attached Flush Cover Plate Mounting Brackets.
5. Align FCP with drywall opening, mark locations of drywall anchors (not included) and install anchors per manufacturer's instructions.
6. Insert TDX into drywall cutout and connect flexible conduit to electrical panel (Figure 2).
7. Attach the Flush Cover Plate to the TDX unit using the 4 Mounting Screws provided (Figure 3).
8. Secure the Flush Cover Plate to the drywall using the drywall anchors.
9. Complete electrical TVSS connection as per TVSS instructions.

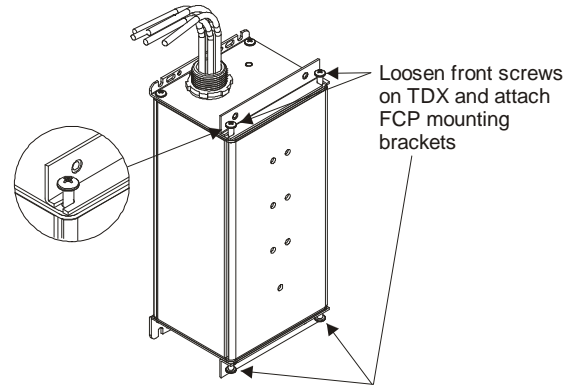


FIGURE 1

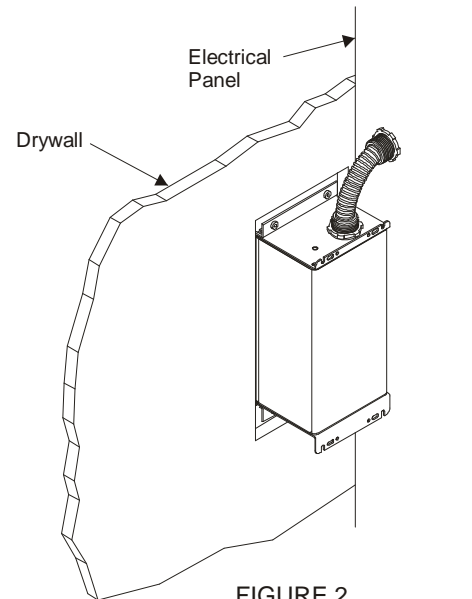


FIGURE 2

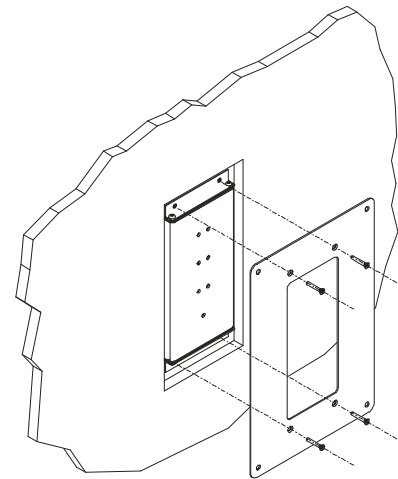


FIGURE 3