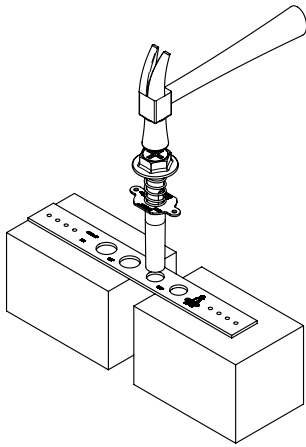
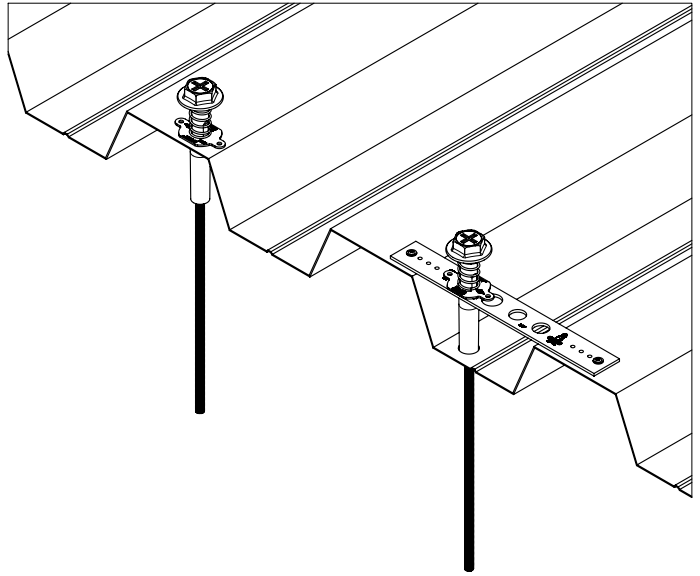
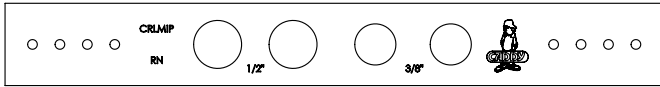


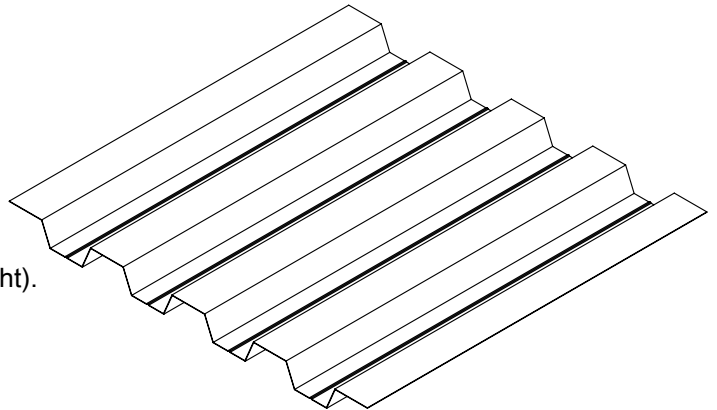
CRLM Insert Plate

3/8 inch and 1/2 inch



Step 1 - Support both ends of the CRLMIP on each side of the through hole prior to assembling a CRLM. Assemble anchor into the appropriate hole in the Insert Plate using a hammer (see markings on the Insert Plate denoting threaded rod size). The Insert Plate features two holes per threaded rod size and the Insert Plate can be flipped to ensure proper installation for any situation. Ensure that the anchor is straight vertically after installation.

Step 2 - Assemble the necessary metal decking (3" max height).



WARNING:

1. nVent products shall be installed and used only as indicated in nVent product instruction sheets and training materials. Instruction sheets are available at www.nVent.com and from your nVent customer service representative.
2. nVent products must never be used for a purpose other than the purpose for which they were designed or in a manner that exceeds specified load ratings.
3. All instructions must be completely followed to ensure proper and safe installation and performance.
4. Improper installation, misuse, misapplication or other failure to completely follow nVent's instructions and warnings may cause product malfunction, property damage, serious bodily injury and/or death, and void your warranty.
5. Products that are manufactured using spring steel components shall be used only in a non-corrosive indoor environment.
6. All pipe supports, hangers, intermediate components and structural attachments must ONLY be used as described herein and are NEVER to be used for any other purpose.

NOTE: All load ratings are for static conditions and do not account for dynamic loading such as wind, water or seismic loads, unless otherwise noted.

The customer is responsible for:

- a. Conformance to all governing codes.
- b. The integrity of structures to which the products are attached, including their capability of safely accepting the loads imposed, as evaluated by a qualified engineer.
- c. Using appropriate industry standard hardware as noted above.

SAFETY INSTRUCTIONS:

All governing codes and regulations and those required by the job site must be observed. Always use appropriate safety equipment such as eye protection, hard hat, and gloves as appropriate to the application.

nVent, nVent CADDY, nVent ERICO Cadweld, nVent ERICO Critec, nVent ERICO, nVent ERIFLEX, and nVent LENTON are owned by nVent or its global affiliates. All other trademarks are the property of their respective owners. nVent reserves the right to change specifications without prior notice.

TECHNICAL SUPPORT:
www.nVent.com

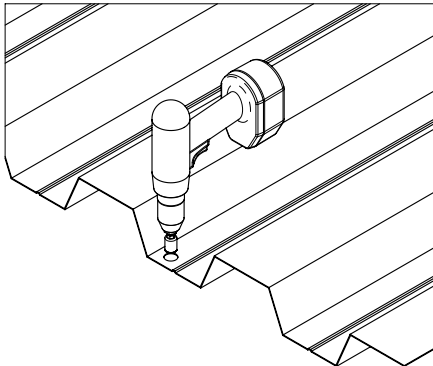
CFS579_B

1 OF 2

© 2018-2019 nVent All Rights Reserved

CRLM Insert Plate

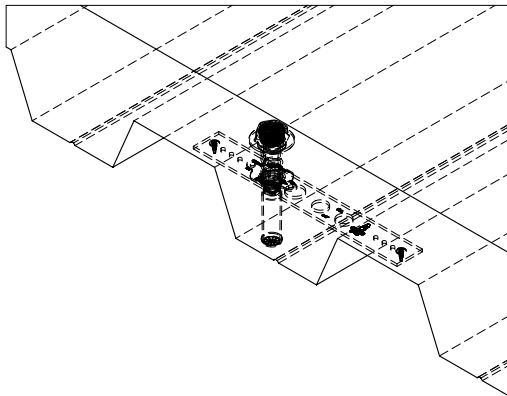
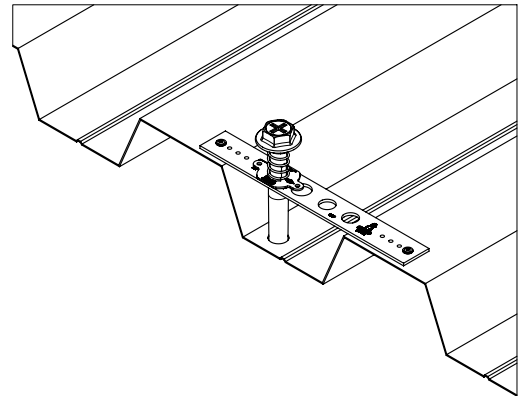
3/8 inch and 1/2 inch



Step 3 - Cut a hole using a metal hole saw sized appropriately to the anchor being used. See below for sizes.

Part Number	Rod Size	Metal Hole Saw Diameter	Drilling Speed
CRLM37EG	3/8"	3/4"	700 - 900 RPM
CRLM50EG	1/2"	7/8"	

Step 4 - Assemble anchor into the hole in the decking. Secure the Insert Plate to the metal decking using self-drilling screws [e.g. nVent CADDY SMS8] or using a nail gun.



Step 5 - Pour concrete over decking and anchor.

Step 6: Push-in the threaded rod.

