

CADDY®

INSTALLATION INSTRUCTIONS



PUSH NUTS



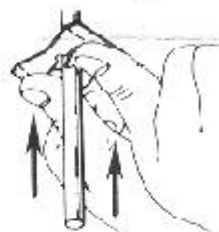
INSTALLATION



RIGHT

WRONG

NOTE: When hanging lighting fixtures, the fixture nut must be installed parallel to the fixture.



1. Place one end of rod and push ends firmly against fixture.

APPLICATION

CATALOG NUMBER	SIZE	STATIC LOAD LIMIT
2-EBN	#8 Wire	100 lbs. thru 3/8" hole
4-EBN	1/4" Plain Rod	100 lbs. thru 3/8" hole
6-EBN	3/8" Plain Rod	200 lbs. thru 1/2" hole

WARNING:

CADDY® Fasteners are intended for indoor use in non-corrosive environments only. CADDY Fasteners must be used on y as illustrated. Misuse or misapplication may cause failure resulting in property damage or bodily injury.

NOTE: STATIC load limits are for fasteners only. Structures to which the fastener is attached must be evaluated separately.

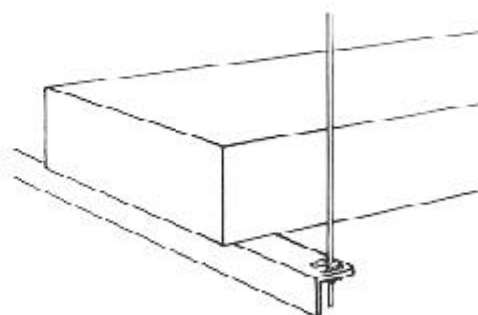
IMPORTANT: When using CADDY Fasteners:

1. Wire and rod, must meet: A.I.S.I. CARBON OR STEEL WIRE AND ROD STANDARDS — FOR COARSE ROUND WIRE.
2. Flanges, purlins, angle iron, bar joist etc., must meet A.I.S.I. HOT ROLLED AND COLD FINISHED BAR STANDARDS.
3. Threaded rod, must meet A.N.S.I. THREADED ROD SPECIFICATION AND TOLERANCES.

SAFETY INSTRUCTIONS: All safety regulations required by the job site must be observed. Special attention should be given to the following instructions.

While working on the jobsite:

1. Observe all Federal and local safety regulations.
2. Wear a hard hat.
3. Wear safety glasses with side shields.
4. Wear gloves to avoid splinters and cuts.
5. When working above ground level, be sure the structure will support your weight.
6. Be aware of personnel working above and below.



FASTENERS

3460 Solon Road
Cleveland (Solon), Ohio 44139
Phone (216) 248-3100
Telex 433-2143