

Cross CleanTray Sloped Top, 6.00x6.00, Brushed, SS304

CATALOG NUMBER

CTS66CSS



Clean Tray Crosses are used for routing Clean Tray cables in four directions. The Clean Tray stainless steel system is designed to protect rated cabling in applications that require frequent washdown.

FEATURES

Clean Tray Crosses are used for routing Clean Tray cables in four directions

The Clean Tray stainless steel system is designed to protect rated cabling in applications that require frequent washdown

PRODUCT ATTRIBUTES

Type: Cross Fitting

Высота мм (H): 152mm

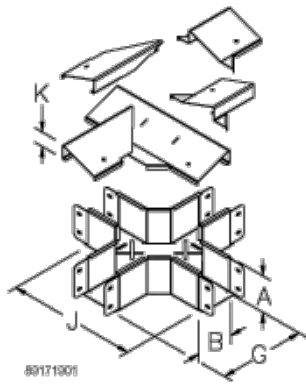
Ширина мм (W): 152mm

Material: Stainless Steel 304

Thickness (T): 1.27mm

Finish: Brushed #3

DIAGRAMS



WARNING

nVent products shall be installed and used only as indicated in nVent's product instruction sheets and training materials. Instruction sheets are available at www.nvent.com and from your nVent customer service representative. Improper installation, misuse, misapplication or other failure to completely follow nVent's instructions and warnings may cause product malfunction, property damage, serious bodily injury and death and/or void your warranty.



Our powerful portfolio of brands:

CADDY ERICO HOFFMAN ILSCO SCHROFF TRACHTE