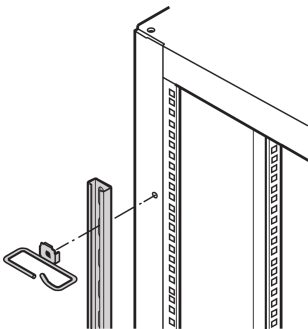


# С-образный рельс для стационарной 19-дюймовой стойки 24 U Labrack

## CATALOG NUMBER

**20118-461**



For assembly to the vertical uprights on the right and left hand side of the 19" plane; especially suited for cable eyes.

## CERTIFICATIONS



## FEATURES

For assembly to the vertical uprights on the right and left hand side of the 19" plane; especially suited for cable eyes

## PRODUCT ATTRIBUTES

Rack Height: 24U

Package Quantity: 2

Finish: Zinc Plated

Длина мм: 1050mm

Material: Сталь

Product Family: Лабораторная стойка

Product Type: С-рельс

## ADDITIONAL PRODUCT DETAILS

---

Please order assembly kit separately. Not suitable on mobile 19" lab racks.

## WARNING

---

nVent products shall be installed and used only as indicated in nVent's product instruction sheets and training materials. Instruction sheets are available at [www.nvent.com](http://www.nvent.com) and from your nVent customer service representative. Improper installation, misuse, misapplication or other failure to completely follow nVent's instructions and warnings may cause product malfunction, property damage, serious bodily injury and death and/or void your warranty.

### North America

All locations  
+1.763.422.2661  
Chat with us:  
[nvent.com/schroff](http://nvent.com/schroff)

### Europe

Straubenhardt, Germany  
+49.7082.794.0  
Betschdorf, France  
+33.3.88.90.64.90  
Warsaw, Poland  
+48.22.209.98.35  
Assago, Italy  
+39.02.932.7141  
Chat with us:  
[nvent.com/schroff](http://nvent.com/schroff)

### Asia

Shanghai, China  
+86.21.2412.6943  
Qingdao, China  
+86.532.8771.6101  
Singapore  
+65.6768.5800  
Shin-Yokohama, Japan  
+81.45.476.0271  
Chat with us:  
[nvent.com/schroff](http://nvent.com/schroff)

### Middle East & India

Dubai, United Arab  
Emirates  
+971.4.378.1700  
Bangalore, India  
+91.80.6715.2001  
Istanbul, Turkey  
+90.216.250.7374  
Chat with us:  
[nvent.com/schroff](http://nvent.com/schroff)



Our powerful portfolio of brands:

**CADDY ERICO HOFFMAN ILSCO SCHROFF TRACHTE**