

Pyrotenax

excellence is everything

Fire-Rated Three-way splice (FTS) System

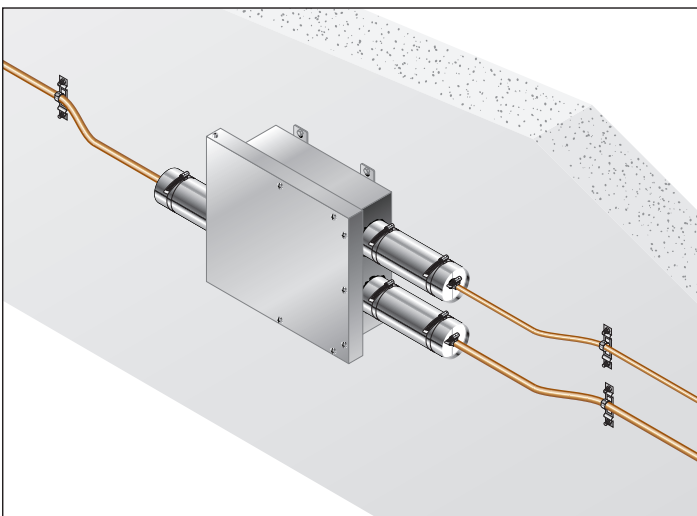




Pyrotenax

Tunnel lighting systems need a fully approved Fire-rated Three-way Splice (FTS) solution

Emergency lighting systems within road and rail tunnels must remain functional during a fire event as per the requirements of NFPA 130 and 502 standards. The FTS system protects the primary main power line leading to and from the fire zone, and due to its fused design, will not be interrupted with a failure in a single light branch circuit.



HOW IT WORKS

The FTS splice system protects the primary main power line leading to and from the fire zone. Should a single light be consumed by fire, its branch line's dedicated fuse within the FTS box would blow, but the remaining branch line and main power line would remain intact and continue to operate.

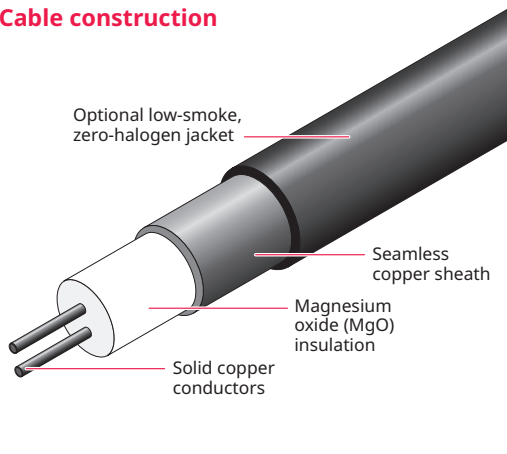
The FTS system is offered primarily as a custom pre-assembled system with pre-terminated cables for both the main power and branch circuits. If installers would prefer to terminate the cables on site, FTS termination kits can be purchased separately.

The pre-assembled system option is designed to optimize the installation time and minimize both labor costs and tunnel down time during system installation.

Pyrotenax System 1850 Cable keeps power flowing during a fire. Our MI cables not only survived the Chunnel (UK) fire, it was used to power equipment during the clean-up.



Cable construction



ABOUT PYROTENAX MI CABLE

- Completely inorganic construction – Magnesium Oxide and Copper
 - zero smoke
 - zero flame spread
 - zero fuel contributed
- Smaller diameter cable
- Smaller bend radius
- High tensile strength
- Ampacity advantages
- The first 2 hour UL/ULC listed fire-resistant system
- Uncontested electrical performance at high temperatures
- Exceptional cable life, longest warranty in the industry
- UL listed factory and field assembled 2-way splices available
- No conduit required
- Can be supplied with an LSZH Jacket
- Can be installed in Stainless Steel Cable Tray

APPROVALS

System 1850 Cables:



Terminations for System 1850 Cables:



Electrical Enclosure:



Completed Splice:

- Splice is part of the Electrical Circuit Integrity System (FHIT) System No. 1850 in the UL Fire Resistance Directory when used with UL Classified System No. 1850 cable (tested with hose stream)
- Splice is part of the Electrical Circuit Integrity System Certified for Canada (FHIT7) System No. 1850 in the ULC Fire Resistance Directory when used with ULC Listed System No. 1850 cable (tested with hose stream)



UL Classified, 1-hour fire-resistive cable, tested to UL 2196 with hose stream



ULC Listed, 1-hour fire-resistant cable, tested to ULC-S139 with hose stream

North America

Tel +1 800 545 6258
info@chemelex.com



Raychem Tracer Pyrotenax Nuheat