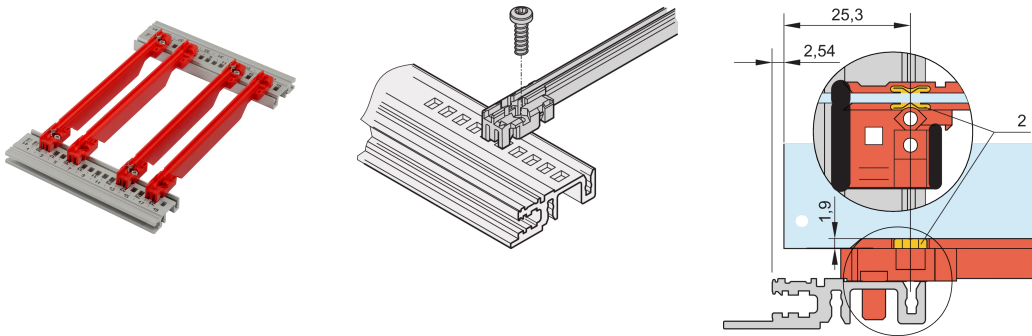


Guide Rail Accessory Type, Strengthened, PC, 220 mm, 2 mm Groove Width, Red

Power Utilities

CODICE A CATALOGO

64568-078



New generation of Strengthened Accessory type guide rails for PCBs or plug-in units. Forms a reliable interface between the subrack mechanics and the sub-assemblies. With the optimized design and the new high quality plastic material not just the stability was significantly increased, but also the fire safety properties improved. Which means the material ensures a low flammability, low smoke toxicity and density and fulfills the EN 45545-2 (Fire Safety in Railway Vehicle) requirements sets R22, R23 and R24 with the highest hazard level HL3. In addition the guide rails are also considered as "Halogen-Free", according to IEC 61249-2-21.

CARATTERISTICHE

NEW generation Strengthened Accessory type plastic guide rails for reliable retention of PCBs or plug-in units

Significantly increased stability, due to a high quality material (PC) and an optimized design, which also allows now the usage with rugged horizontal rails

Improved fire safety properties, fulfills EN 45545-2 requirement sets R22, R23 and R24 with HL3

"Halogen-Free", according to IEC 61249-2-21

Can be clipped into horizontal rails (Al extrusion) or into 1.5 mm thick plates

Can be bolted to the horizontal rails Type H and R for higher shock and vibration requirements

Optional ESD clip for an conductive contact between PCB and horizontal rail available

Storage temperature: from -40 °C ... 130 °C

ATTRIBUTI DEL PRODOTTO

Tipo di prodotto: Guida

Tipo: Rinforzato

Funziona con: Subracks; Casi; Telaio da 19"; Sistemi

Profondità scheda: 220 mm

Larghezza scanalatura: 2

Materiale: Policarbonato

Colore: Rosso

Conforme a.: EN 45545-2

Quantità imballaggio: 50

INFORMAZIONI DI PRODOTTO AGGIUNTIVE

Please take into consideration that deliveries may be carried out in the stated SPQs (SPQ, e.g. 5 pieces, 10 pieces, 50 pieces, etc.). Differing order quantities (e.g. 2 pieces) may be changed to the next possible delivery quantity = Standard Pack Quantity.

AVVERTIMENTO

I prodotti nVent devono essere installati e utilizzati solo come indicato nelle schede istruzioni e nei materiali di formazione di nVent. Le schede istruzioni sono disponibili su www.nvent.com e presso il vostro rappresentante del servizio clienti nVent. Un'installazione scorretta, un uso improprio, un'applicazione errata o qualsiasi altro mancato rispetto completo delle istruzioni e degli avvertimenti di nVent può causare malfunzionamenti del prodotto, danni alla proprietà, gravi lesioni personali e morte e/o annullare la vostra garanzia.



Il nostro straordinario portafoglio di marchi:

CADDY ERICO HOFFMAN ILSCO SCHROFF TRACHTE