

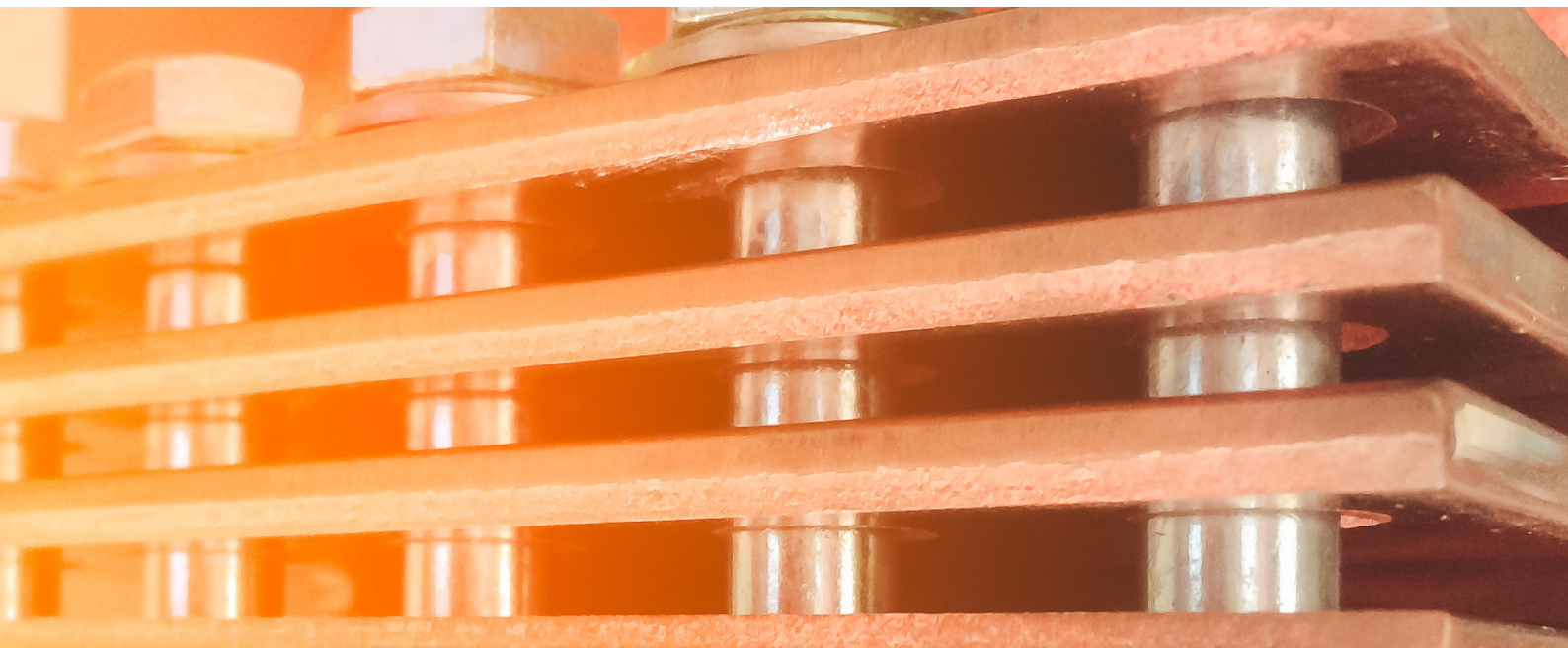
**CONNECT AND PROTECT**

# Power System Manual



**HOFFMAN**

# nVent HOFFMAN Power System Mounting instructions

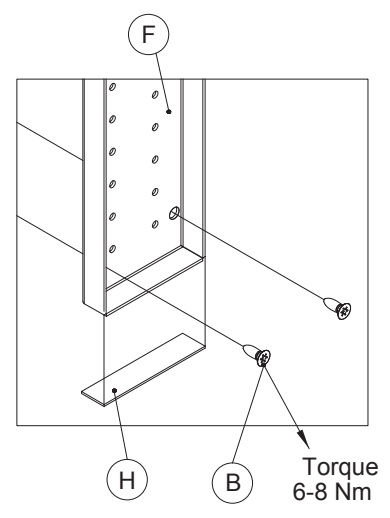
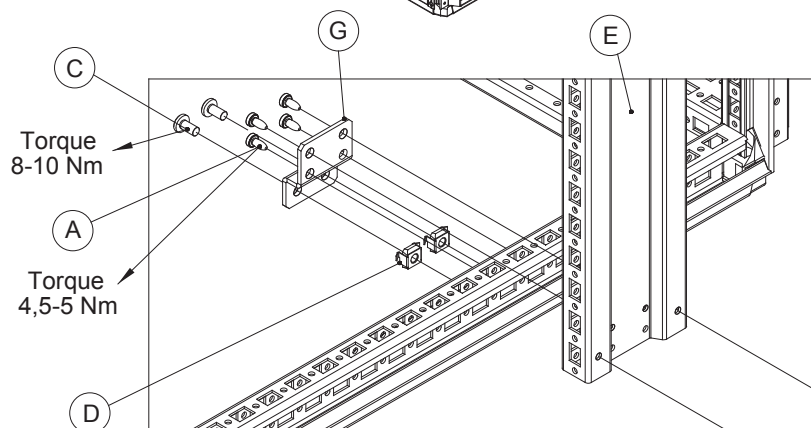
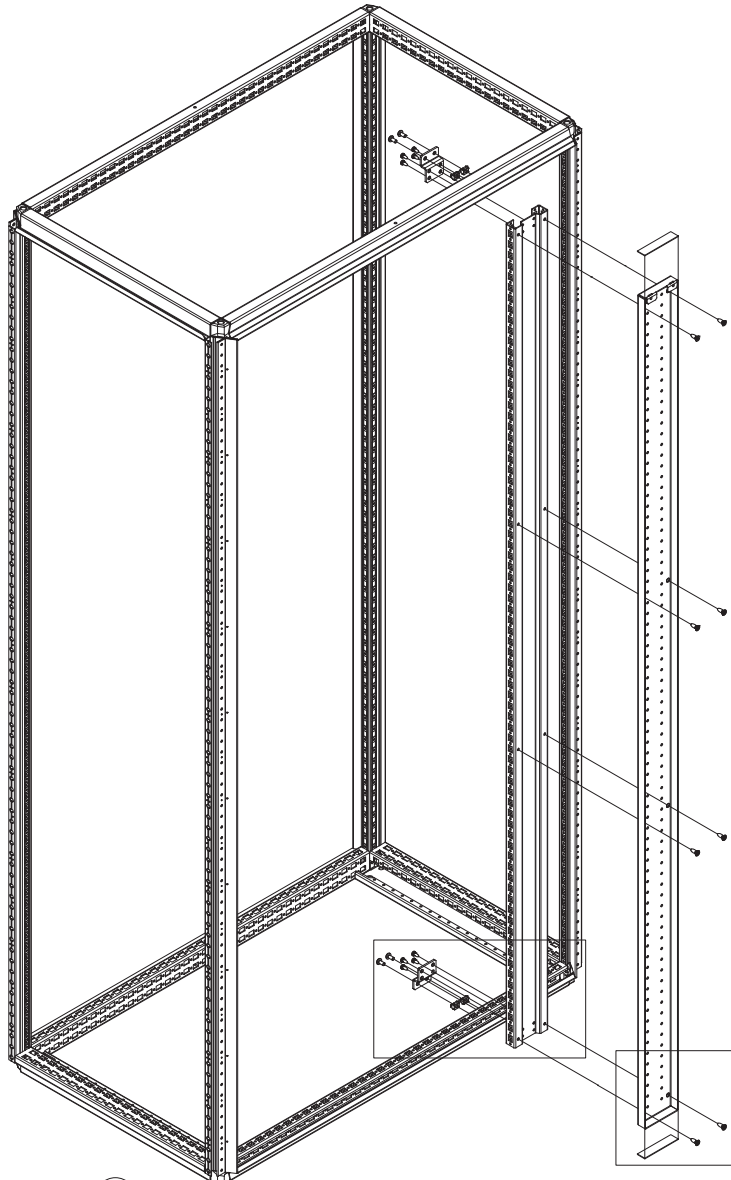


Enclosure	3
Modular system	7
Incoming section	14
Fixsystem	18
Form 2	18
Form 3	26
Form 4	37
Plug-in system	48
Cable section	54
Top/bottom frames	58
Doors, panels, side panels	62
Accessories	68
Busbar system	74



# CDV VERTICAL DIVIDER

Ref.	Pic.	Qty.
A	M5x10	8
B	M6x12	8
C	M6x12	4
D	M6	4
E		1
F		1
G		2
H	 Neopren gasket	2

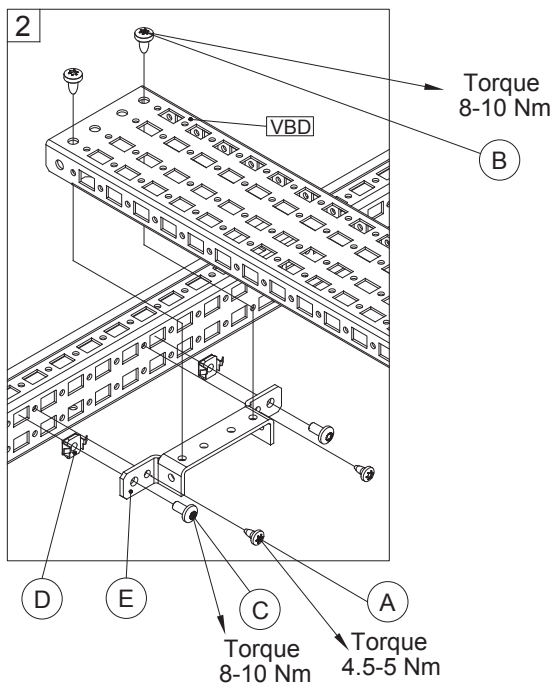
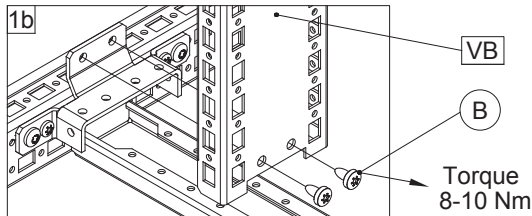
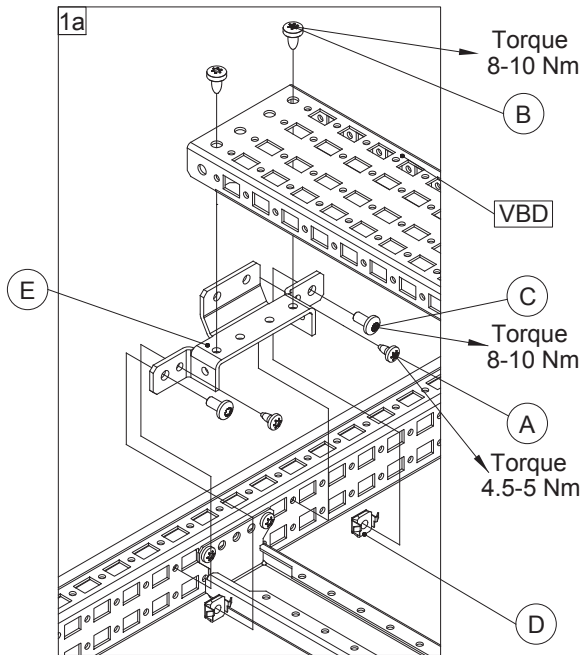
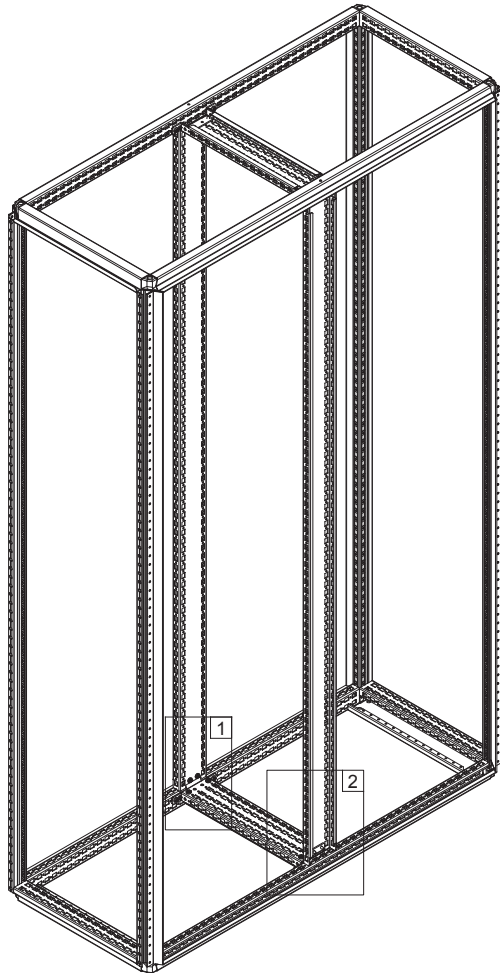




# VBK1200

# VBK04

## REAR DIVIDER AND DEPTH PROFILES

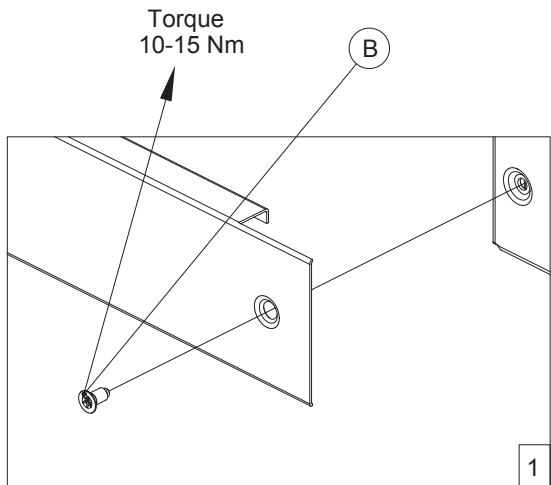
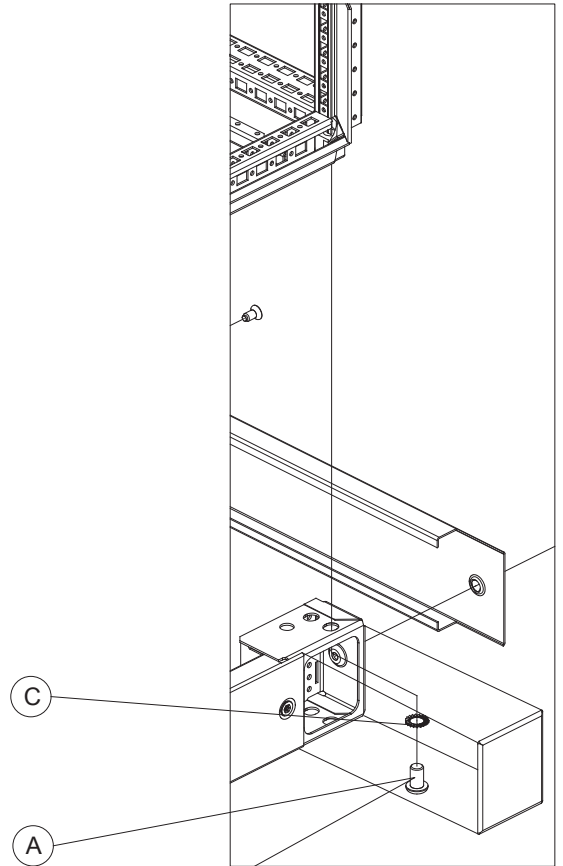
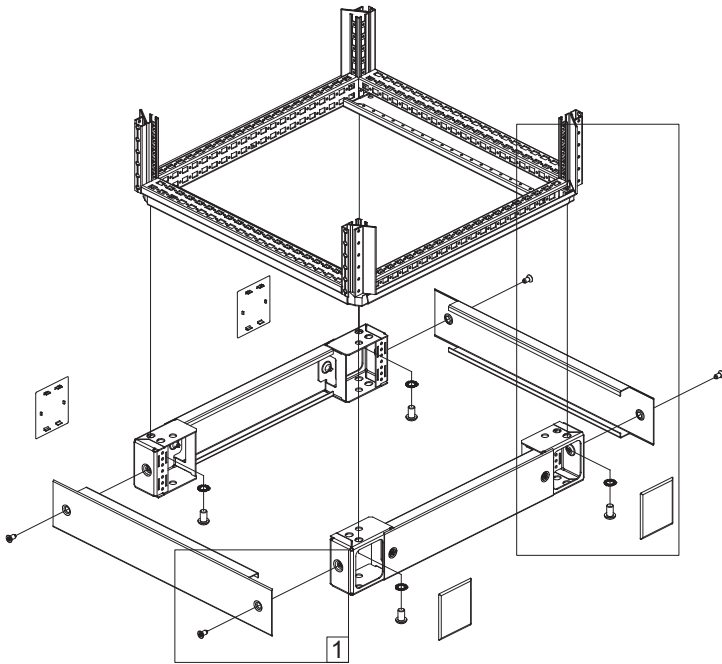
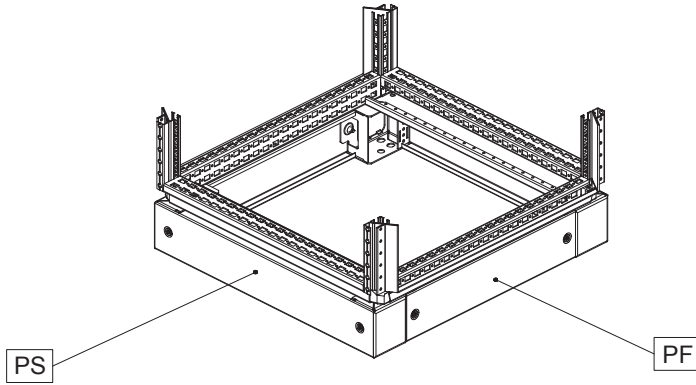


Ref.	Pic.	Qty.
VBK1200		
A	M5x10	8
B	M6x12	16
C	M6x12	8
D	M6	8
E	M6	4
VBK04		
A	M5x10	8
B	M6x12	8
C	M6x12	8
D	M6	8
E	M6	4



# PF/PS PLINTH

Ref.	Pic.	Qty.
A		4
B		4/8
C		4



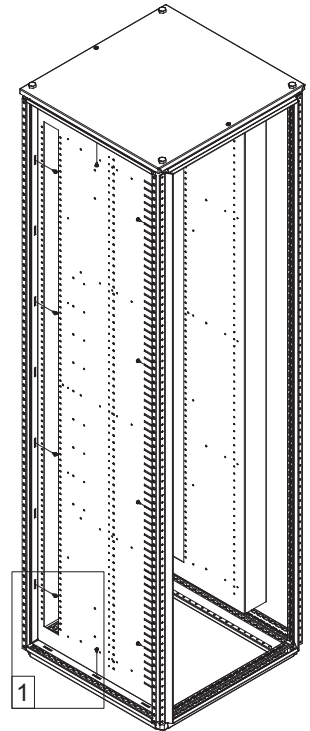
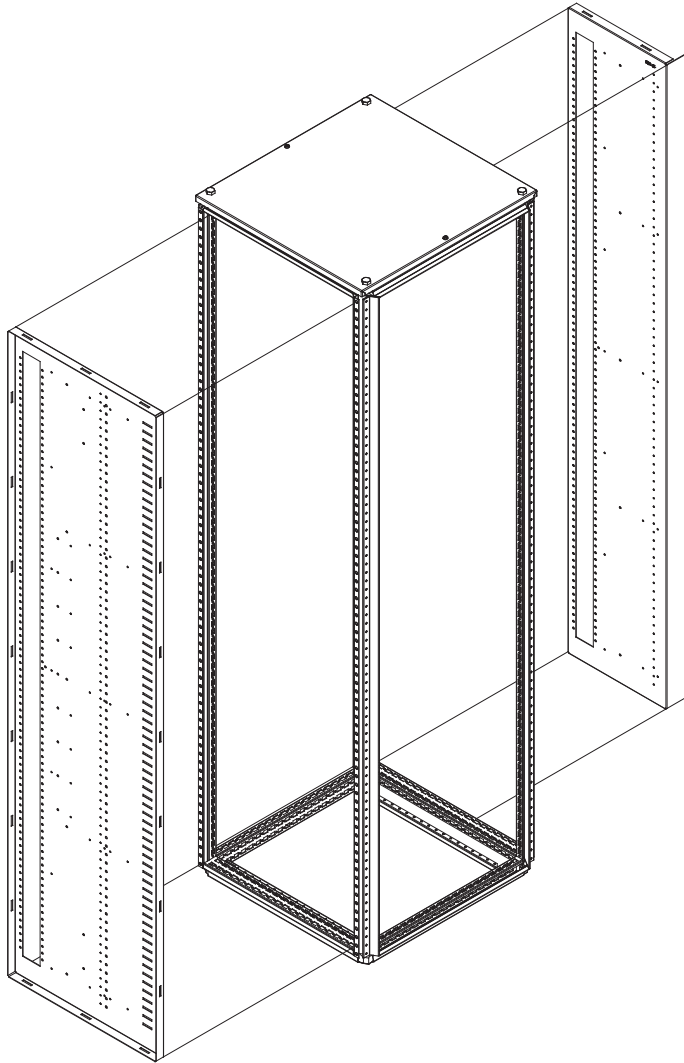
Torque  
15-20 Nm



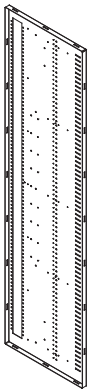
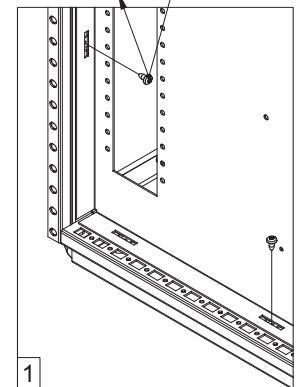
T25

# MSPS INTERNAL SIDE PANELS

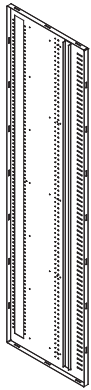
Ref.	Pic.	Qty.
A	ST5.5x13	
	MSPS1806	18
	MSPS2006	20
	MSPS2206	20
	MSPS1806F	18
	MSPS2006F	20
	MSPS2206F	20
	MSPS1803	10
	MSPS2003	11
	MSPS2203	11



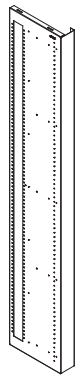
Torque  
7-10 Nm



MSPSxxx6



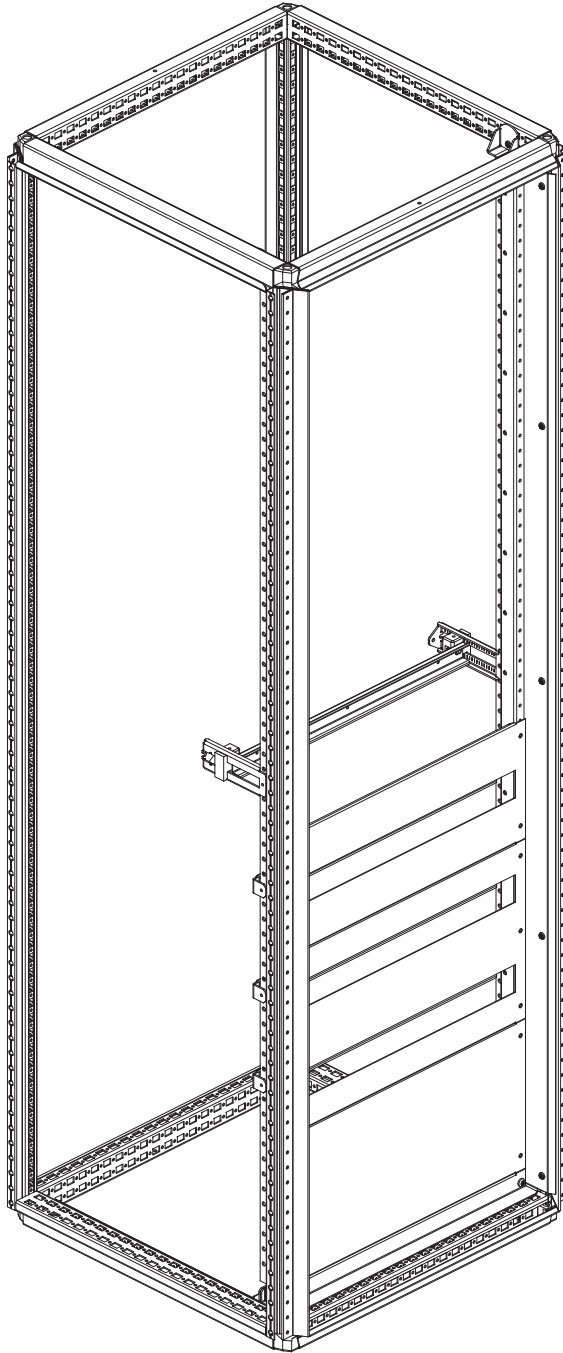
MSPSxxx6F



MSPSxxx3

---

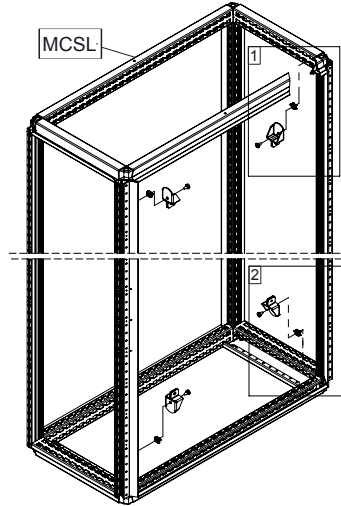
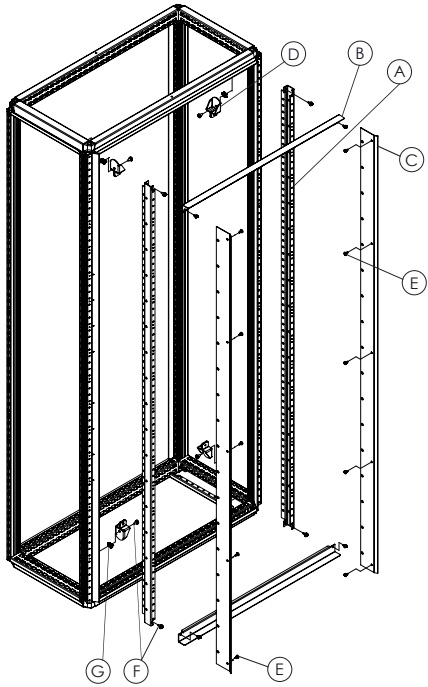
# FORM 1 MODULAR SYSTEM



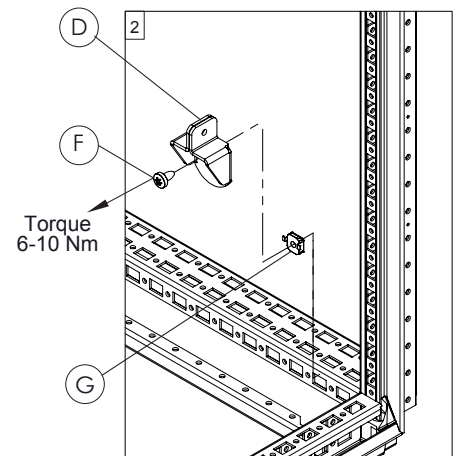
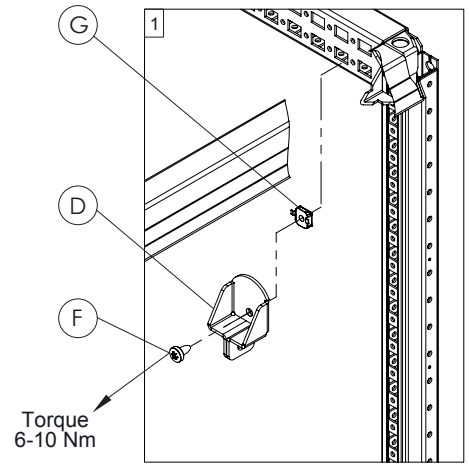
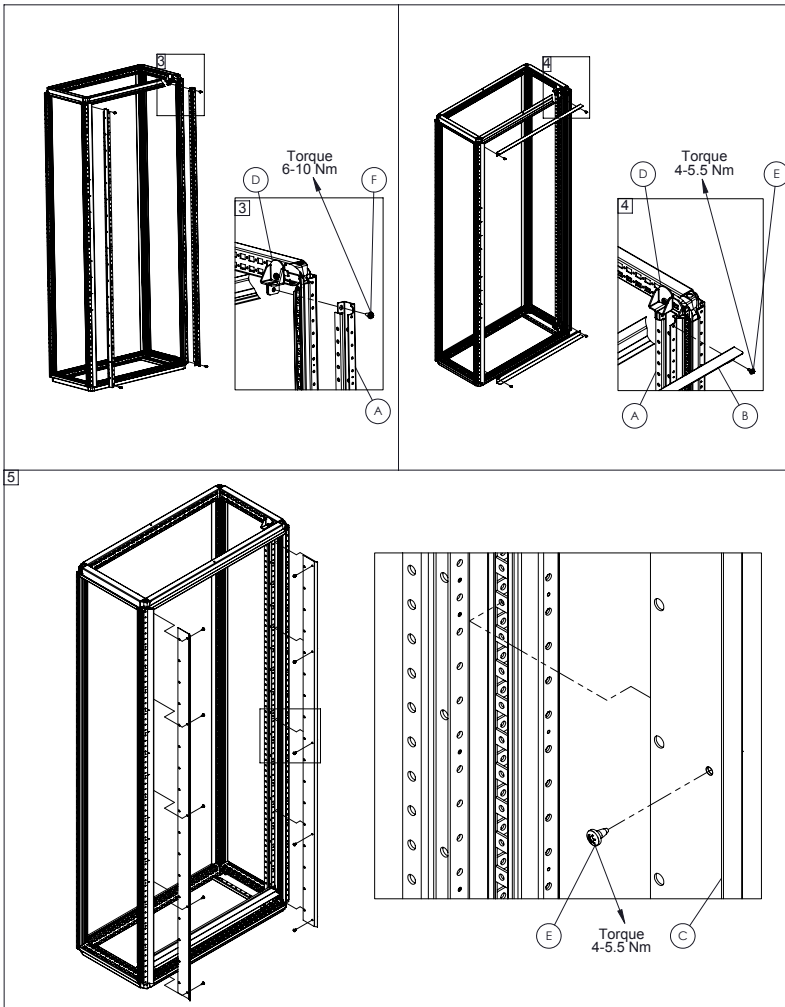


# FORM 1 MSMSF PROFILE

## MOUNTING OPTIONS: OPTION A



Ref.	Pic.	Qty.
A		2
B		2
C		2
D		4
E		M5x10 14
F		M6x12 8
G		M6 4

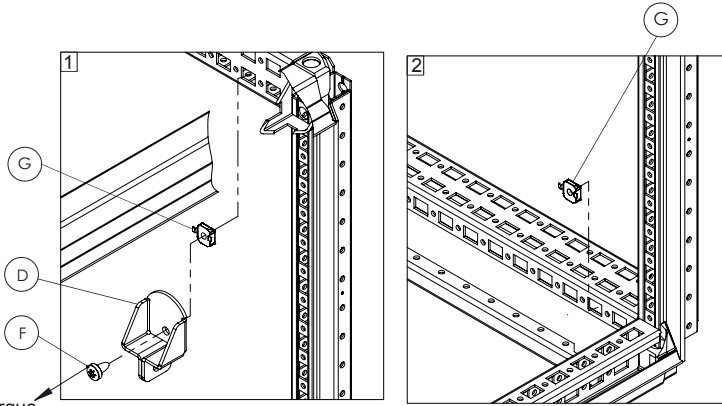
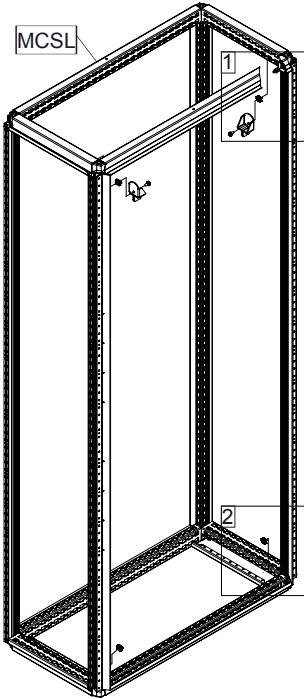




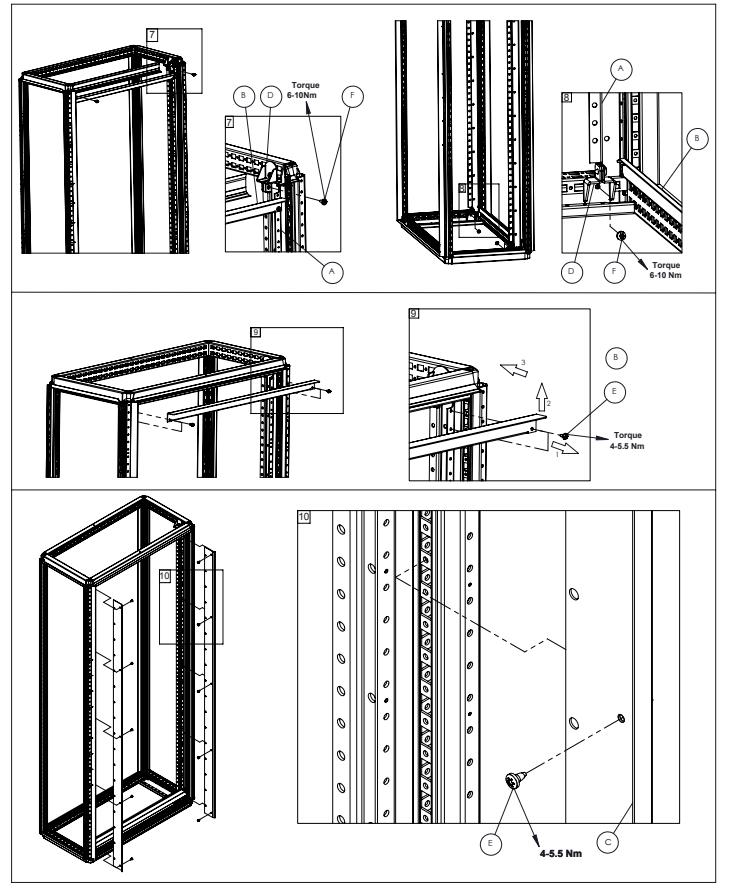
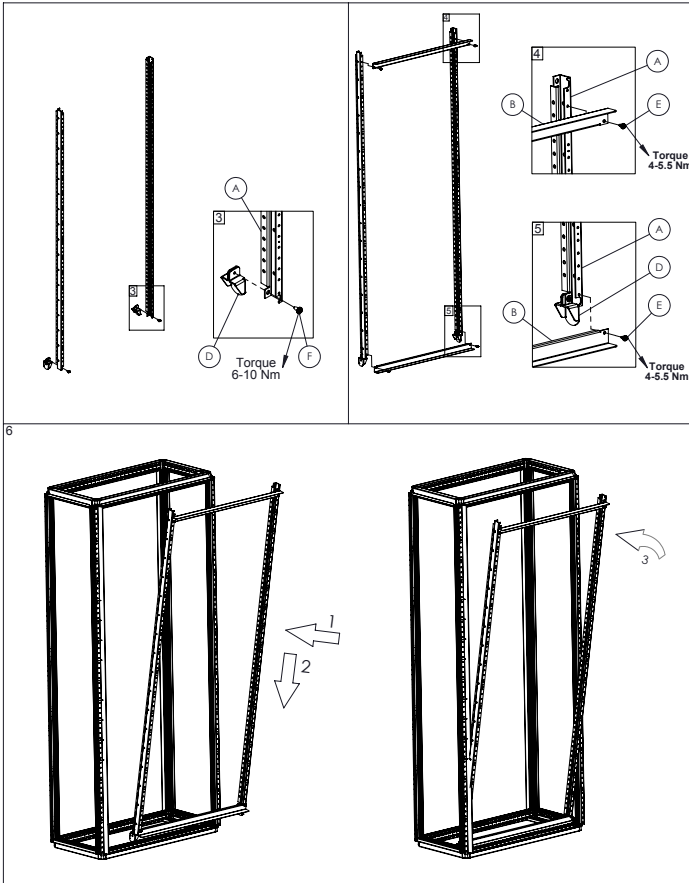


# FORM 1 MSMSF PROFILE

## MOUNTING OPTIONS: OPTION B

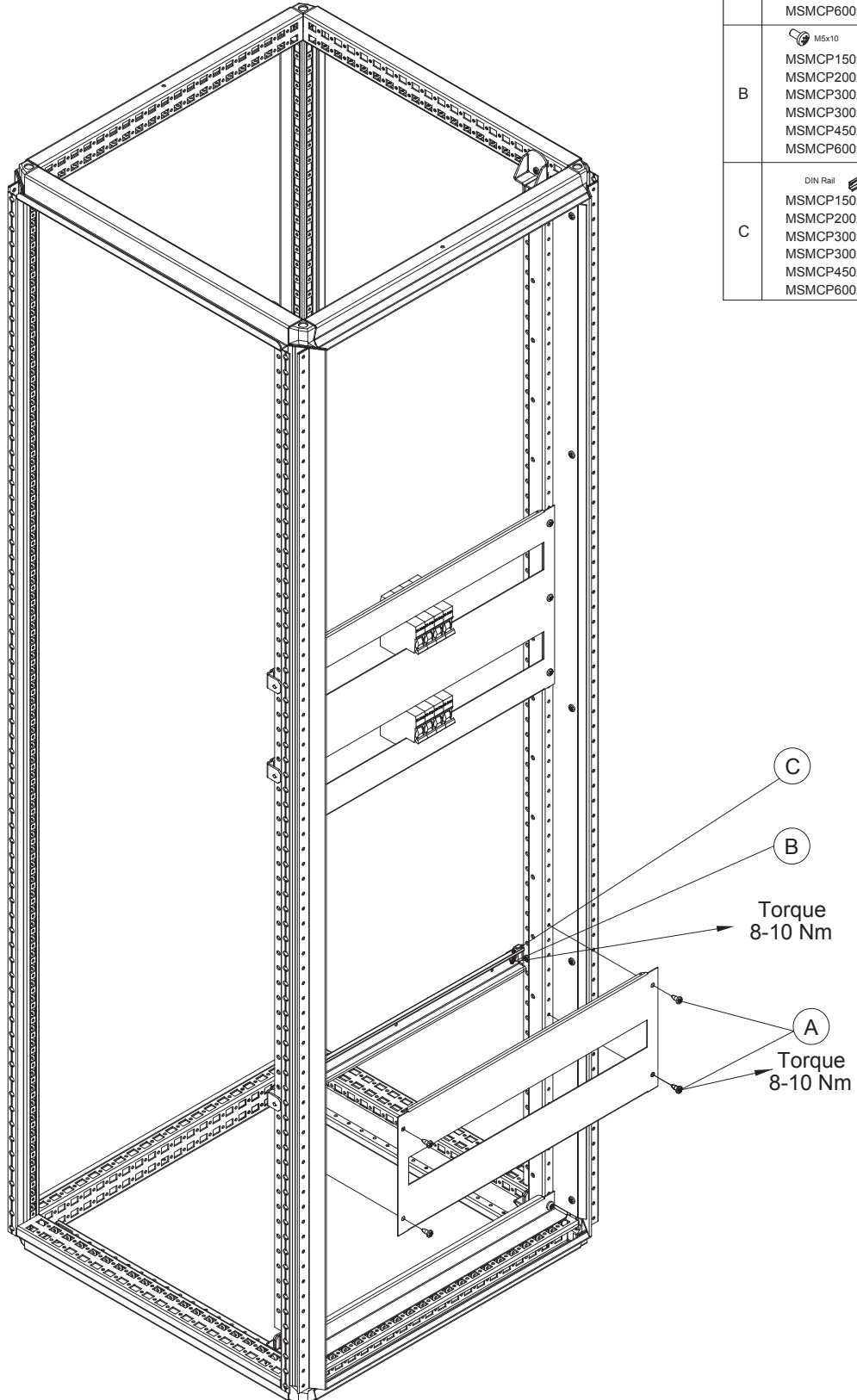


Ref.	Pic.	Qty.
A		2
B		2
C		2
D		4
E		M5x10 14
F		M6x12 8
G		M6 4





# FORM 1 MSMCP SLOTTED FRONT PANEL

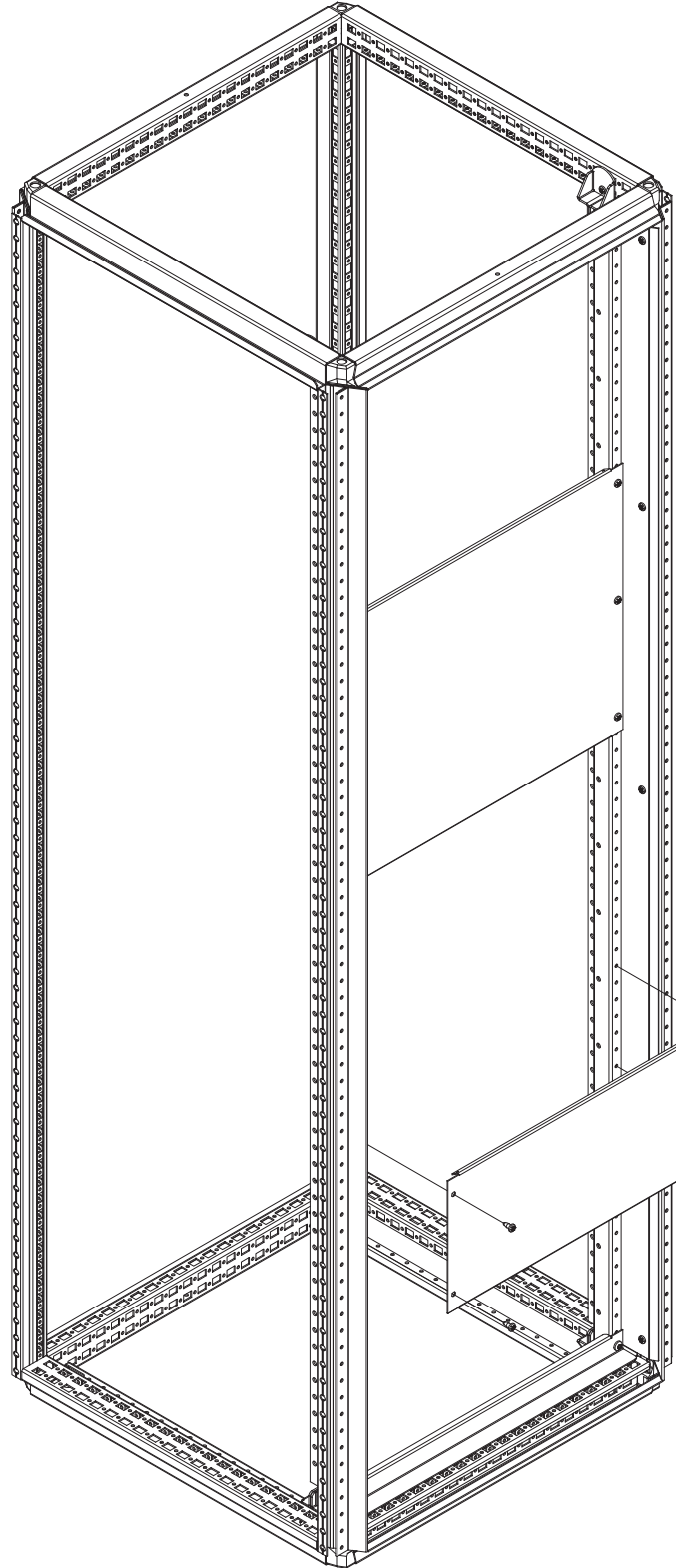


Ref.	Pic.	Qty.
A	MS5x13	
	MSMCP150x	4
	MSMCP200x	4
	MSMCP300x-1	6
	MSMCP300x-2	6
	MSMCP450x	8
	MSMCP600x	10
B	MS5x10	
	MSMCP150x	4
	MSMCP200x	4
	MSMCP300x-1	4
	MSMCP300x-2	8
	MSMCP450x	12
	MSMCP600x	16
C	DIN Rail	
	MSMCP150x	1
	MSMCP200x	1
	MSMCP300x-1	1
	MSMCP300x-2	2
	MSMCP450x	3
	MSMCP600x	4



T25



# FORM 1 MSMBP PLAIN FRONT PANEL

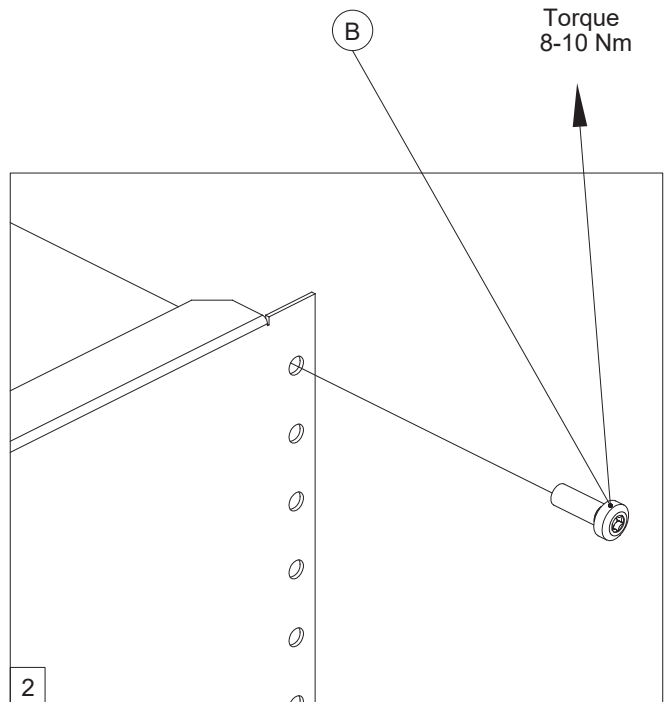
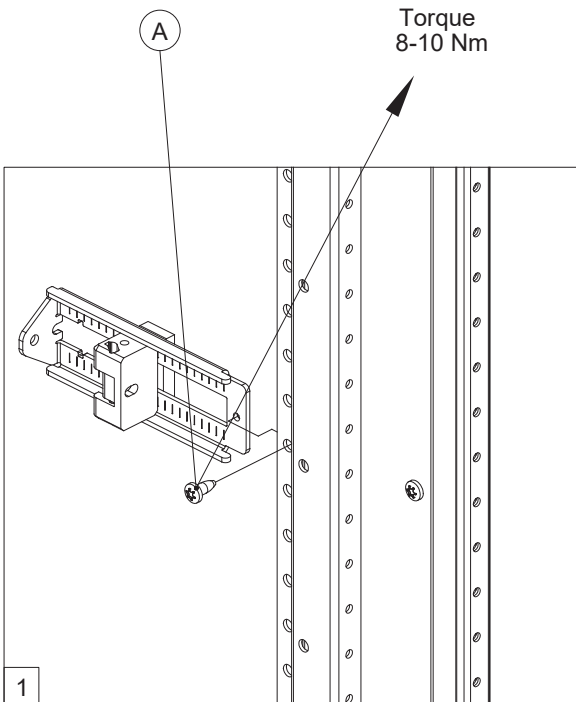
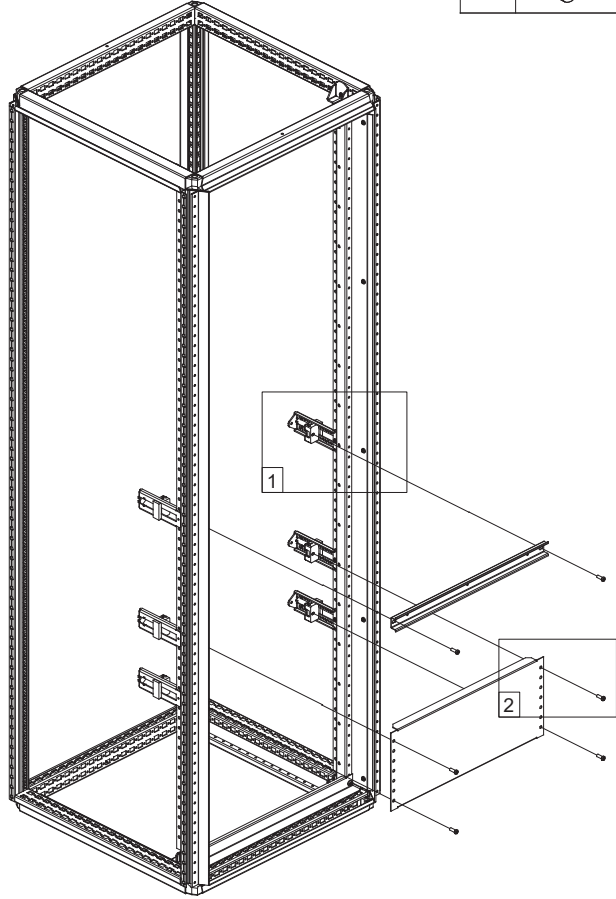
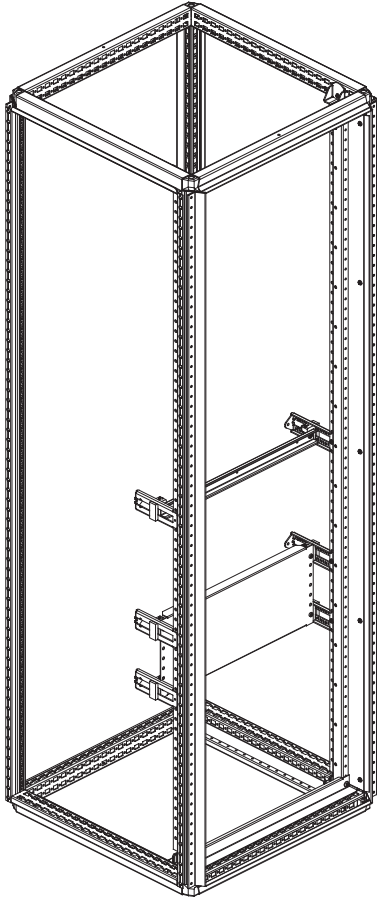


Ref.	Pic.	Qty.
A	M5.5x13	
	MSMBP050x	2
	MSMBP100x	4
	MSMBP150x	4
	MSMBP200x	4
	MSMBP250x	6
	MSMBP300x	6
	MSMBP400x	6
	MSMBP450x	8
	MSMBP500x	8
MSMBP600x	10	



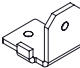

# FORM 1 MSMPA01 ADJUSTABLE BRACKET

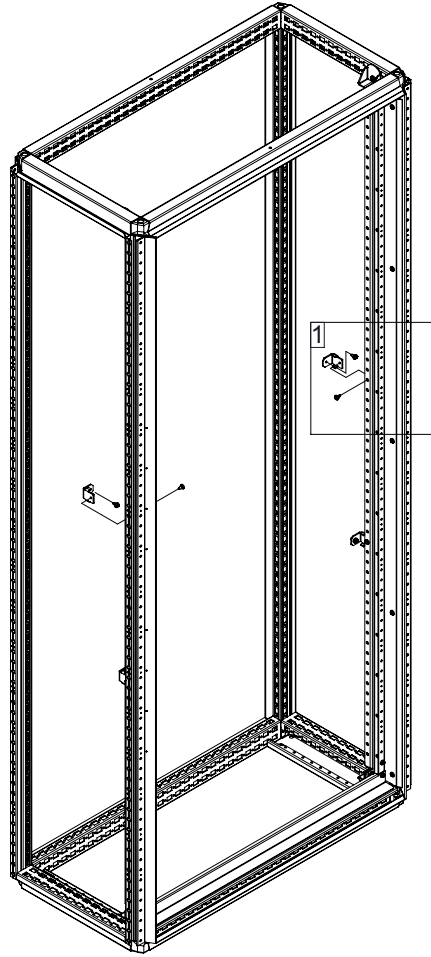
Ref.	Pic.	Qty.
A	 M5x10	6
B	 M5x16	6



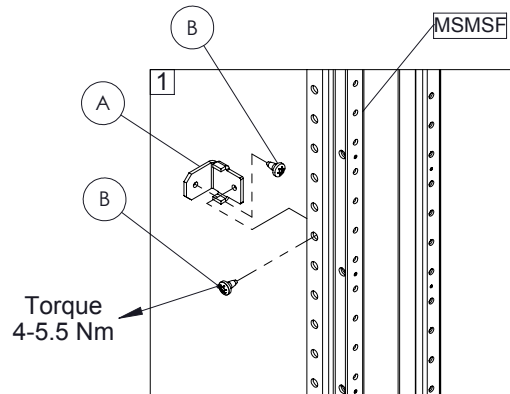


# FORM 1 MSMPF01 FIXED BRACKETS

Ref.	Pic.	Qty.
A		2
B	 M5x10	4



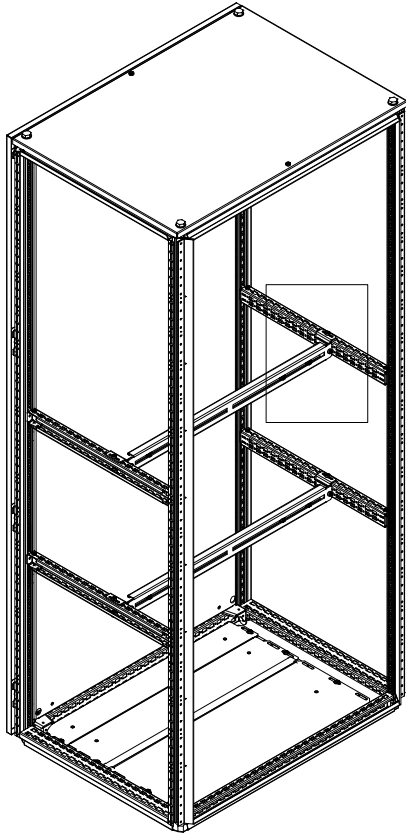
MODULAR SYSTEM  
MC SL+MSMSF





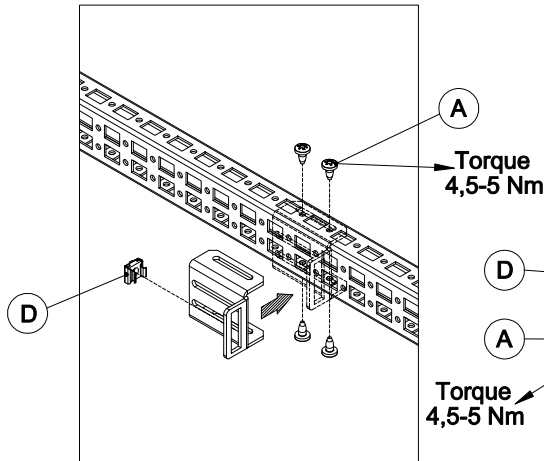
# FORM 1 APK ADJUSTMENT PROFILES

Ref.	Pic.	Qty.
A		16
B		12
C		8
D		12

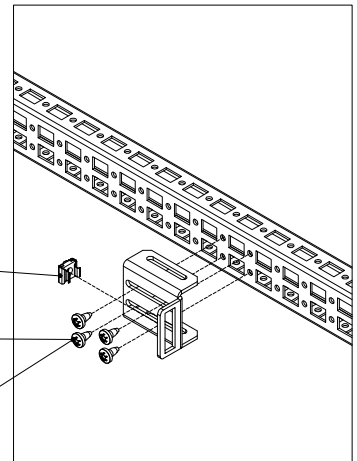


## Mounting options:

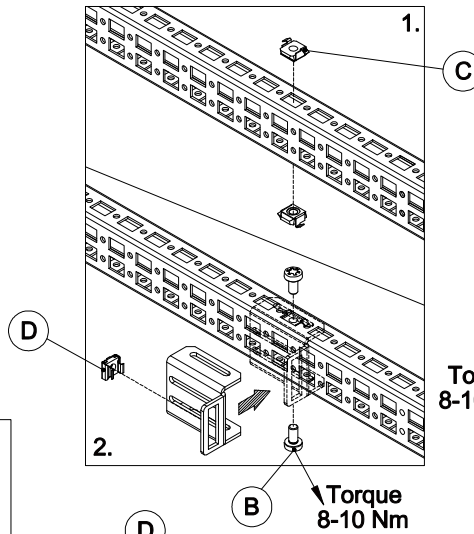
Option A



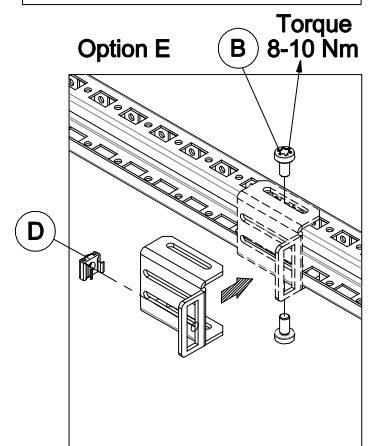
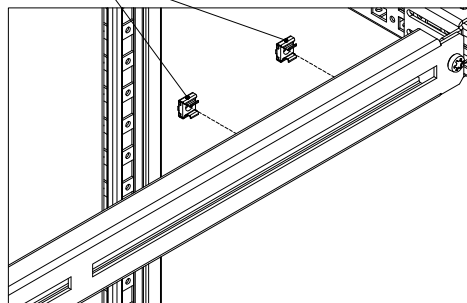
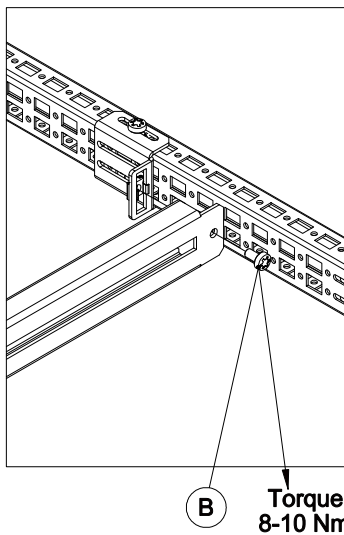
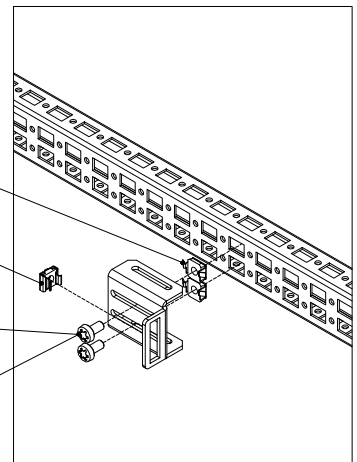
Option B



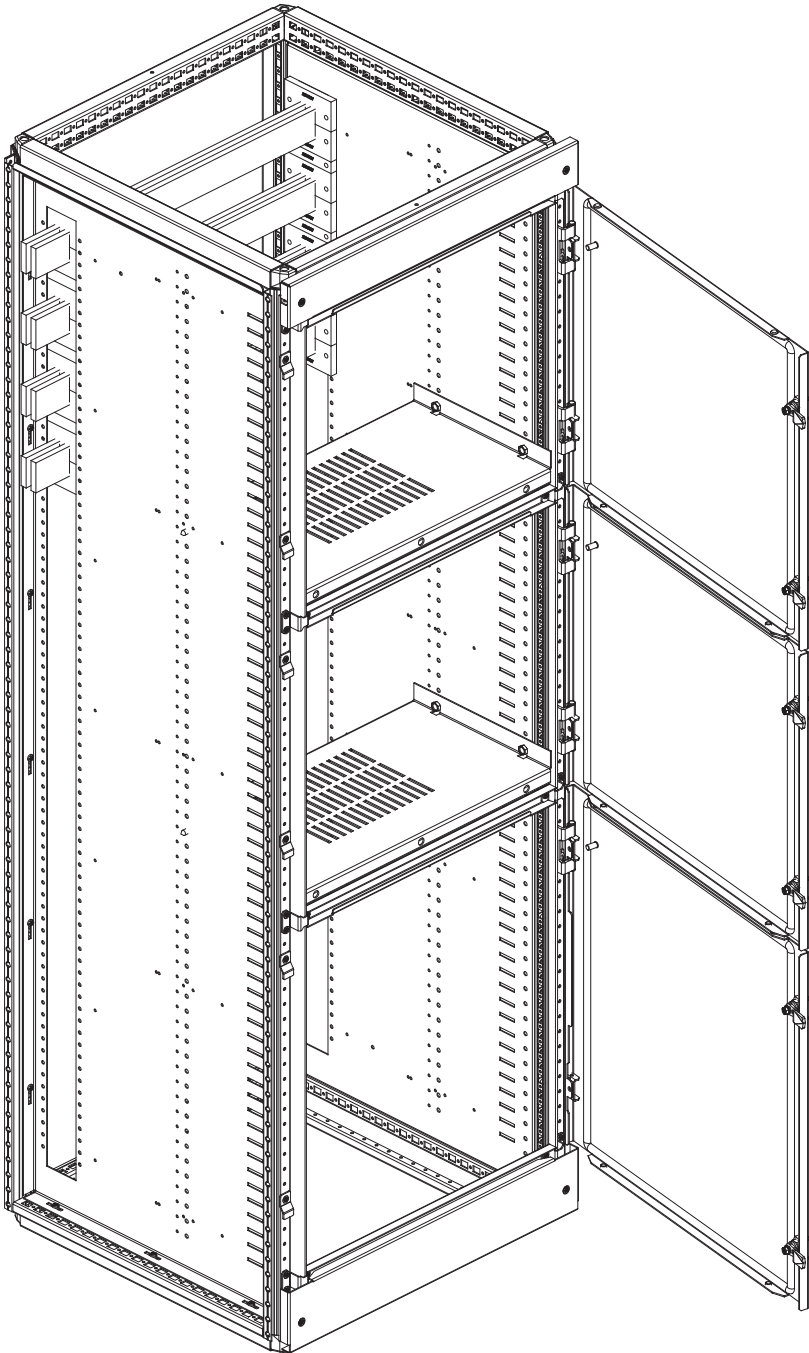
Option C



Option D



# INCOMING SECTION

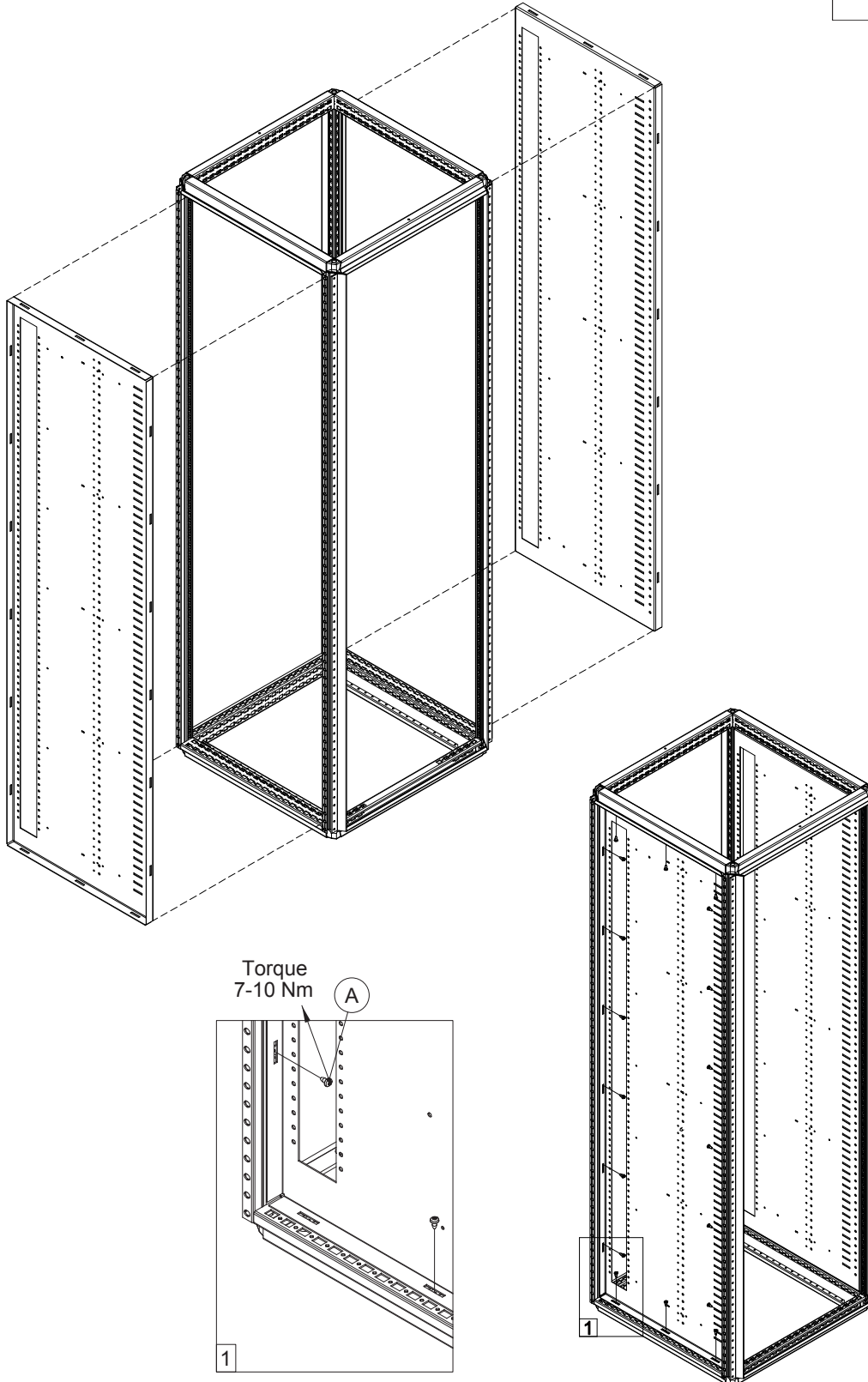




T25

# MSPS SIDE PANELS


Ref.	Pic.	Qty.
A	ST5.5x13	
	MSPS1806	18
	MSPS2006	20
	MSPS2206	20

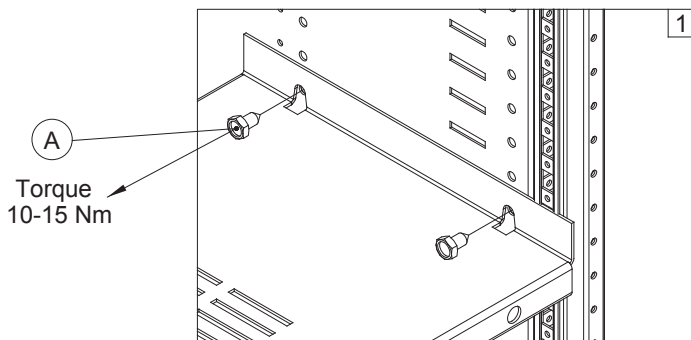
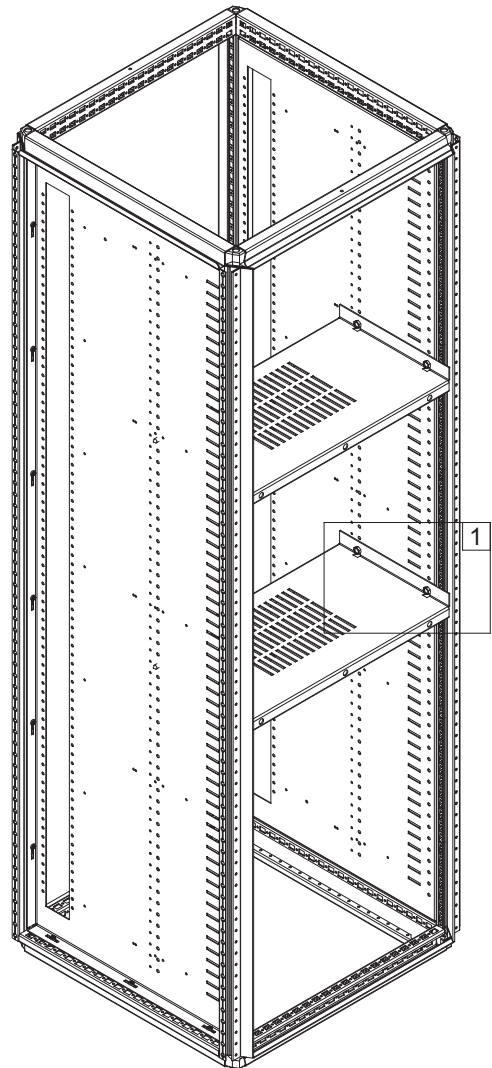
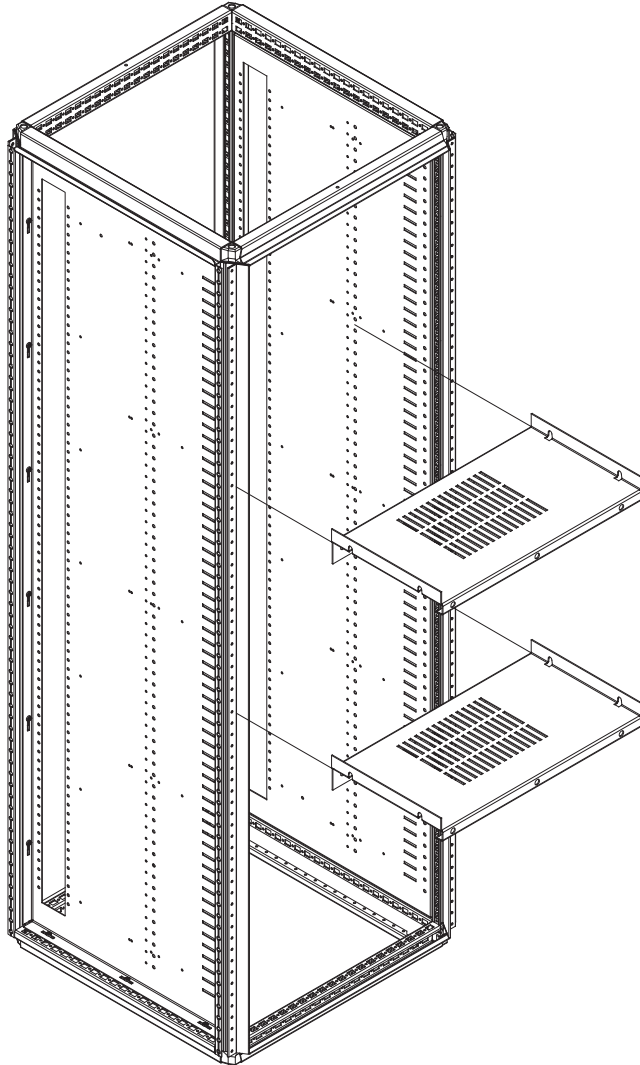






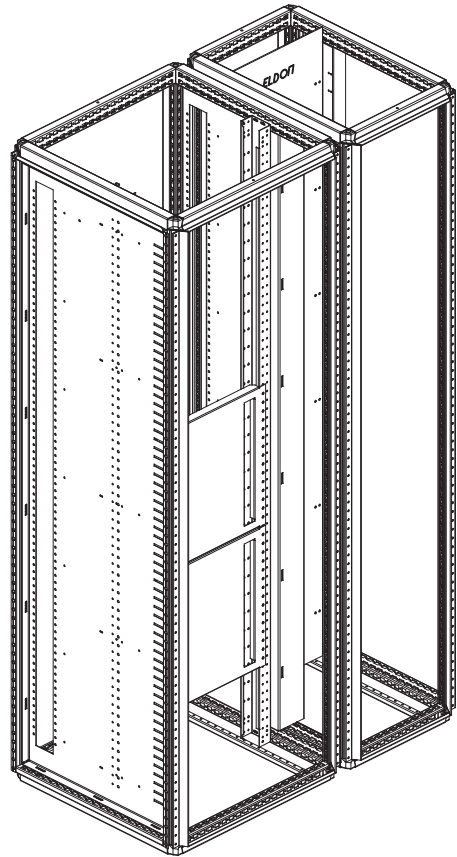
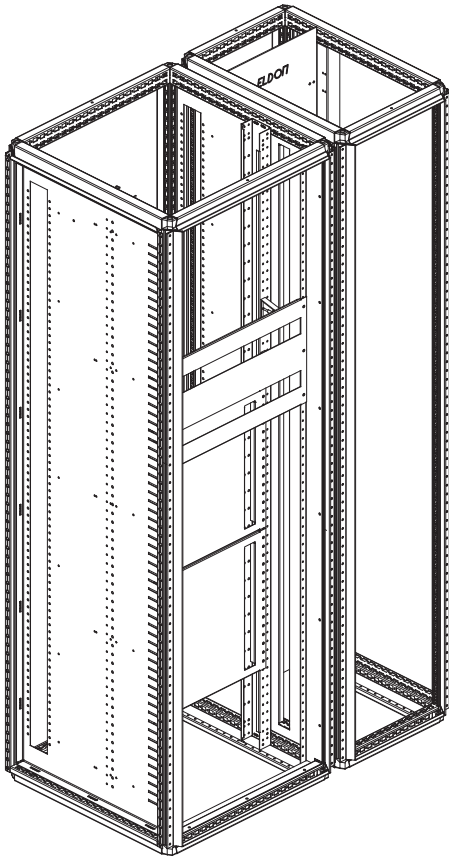
# MSCC SELF FOR ACB

Ref.	Pic.	Qty.
A	 ST 8x16	4




---

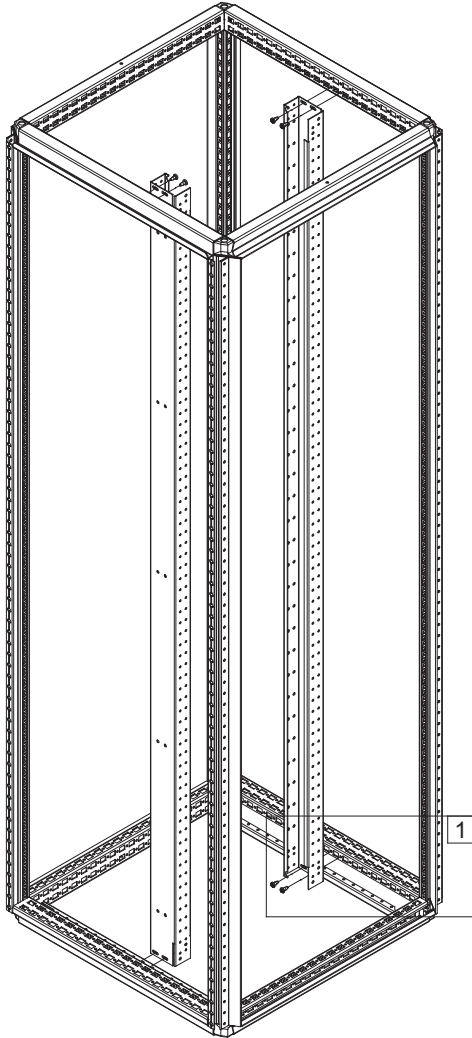
## FORM 2 FIX SYSTEM



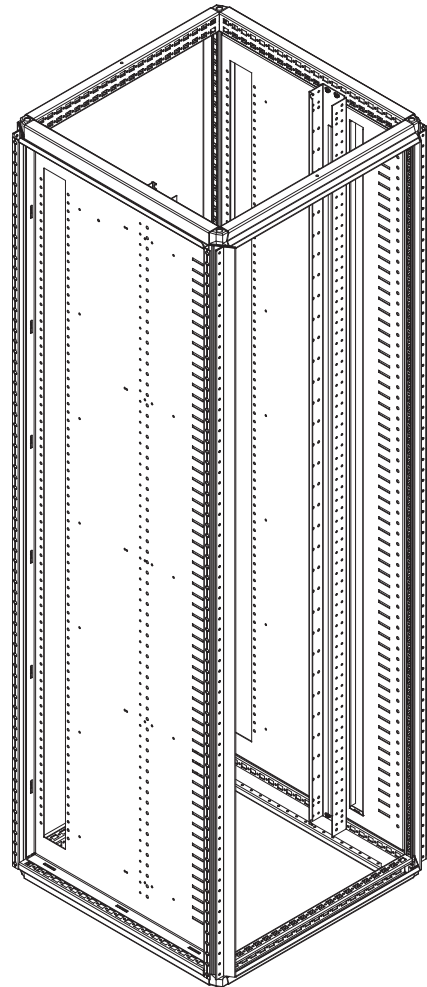
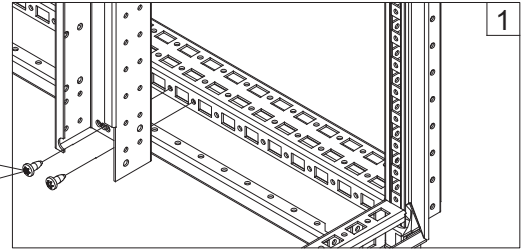


# FORM 2 MSFP VERTICAL PROFILES

Ref.	Pic.	Qty.
A		20




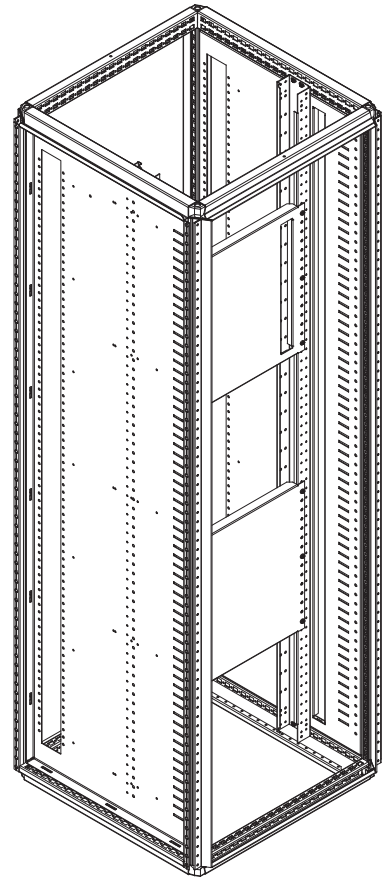
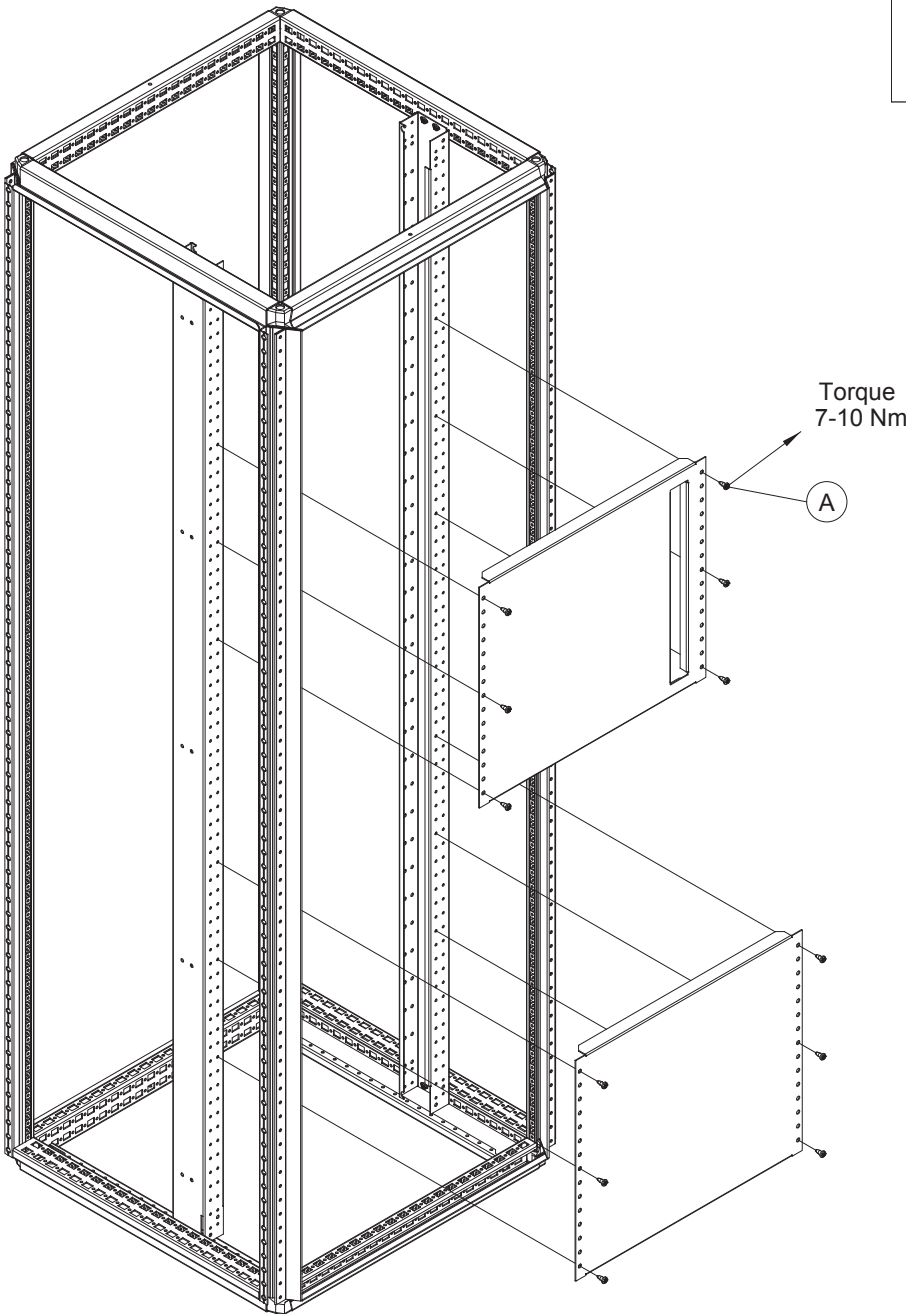
A  
Torque  
7-10 Nm







# FORM 2 MSMPN/MSMPNxxxxV MOUNTING PLATE

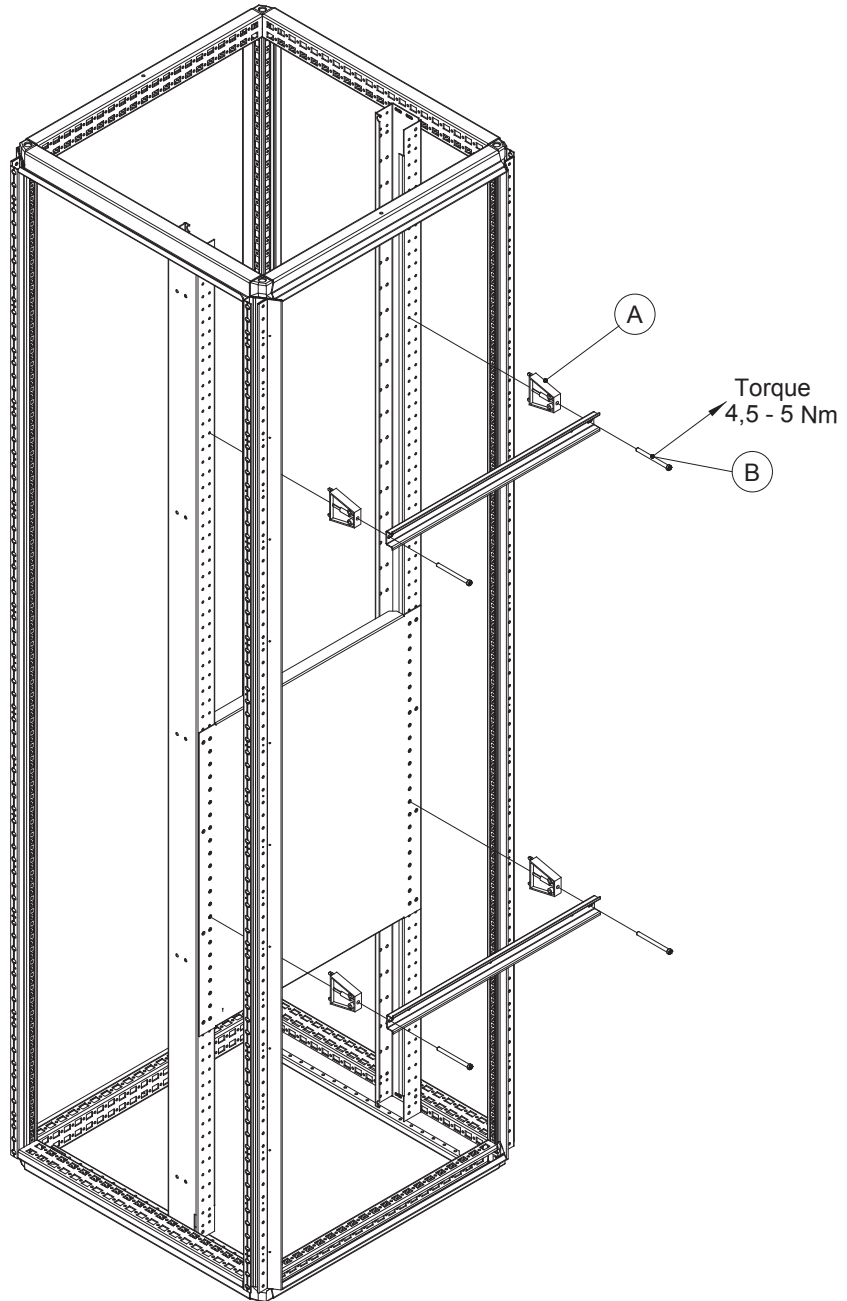
Ref.	Pic.	Qty.
A	 ST5.5x13	
	MSMPN0506	2
	MSMPN1006/MSMPN1006H	4
	MSMPN1506/MSMPN1506V	4
	MSMPN2006/MSMPN2006V	4
	MSMPN2506/MSMPN2506V	4
	MSMPN3006/MSMPN3006V	6
	MSMPN4006/MSMPN4006V	6
	MSMPN4506/MSMPN4506V	6
	MSMPN5006/MSMPN5006V	6
	MSMPN6006/MSMPN6006V	8
MSMPN6010	8	
MSMPN8xxxx/MSMPN8xxxxV	8	



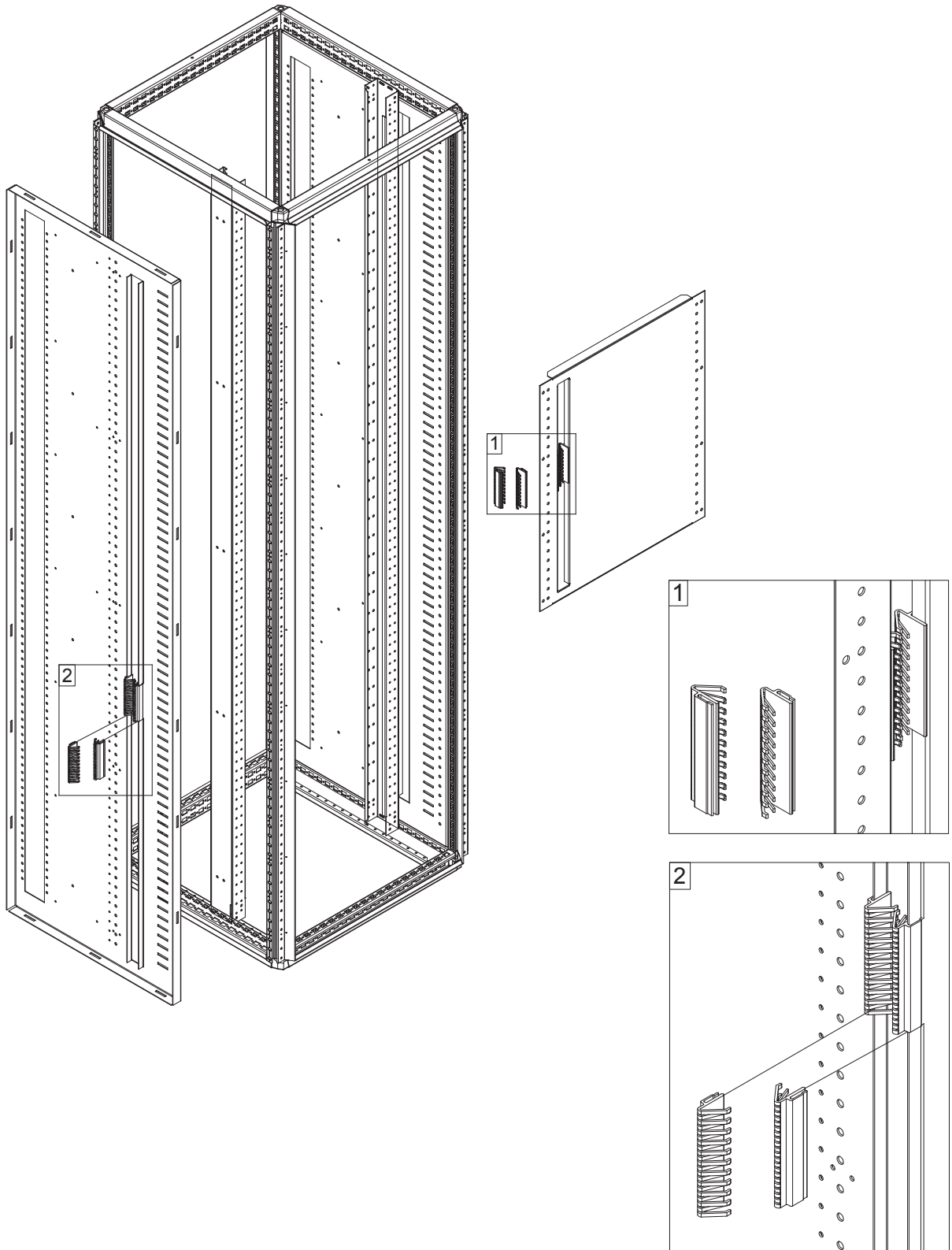


# MSADP DIN-ADAPTOR

Ref.	Pic.	Qty.
A		10
B	 ST5.5x70	10




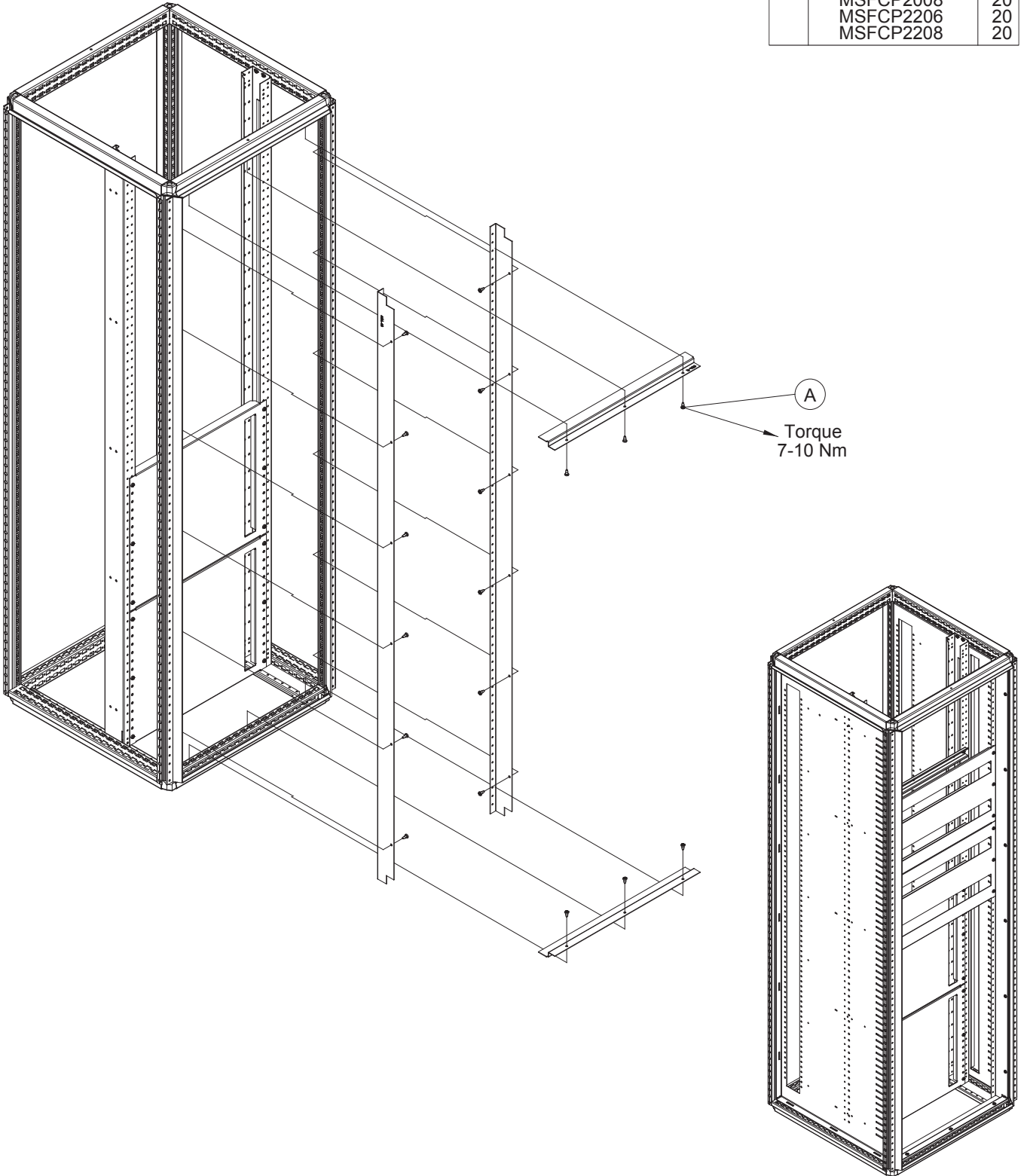
# MSFG CONTACT PROTECTION





# FORM 2 MSFCP FRONT COVER PROFILES

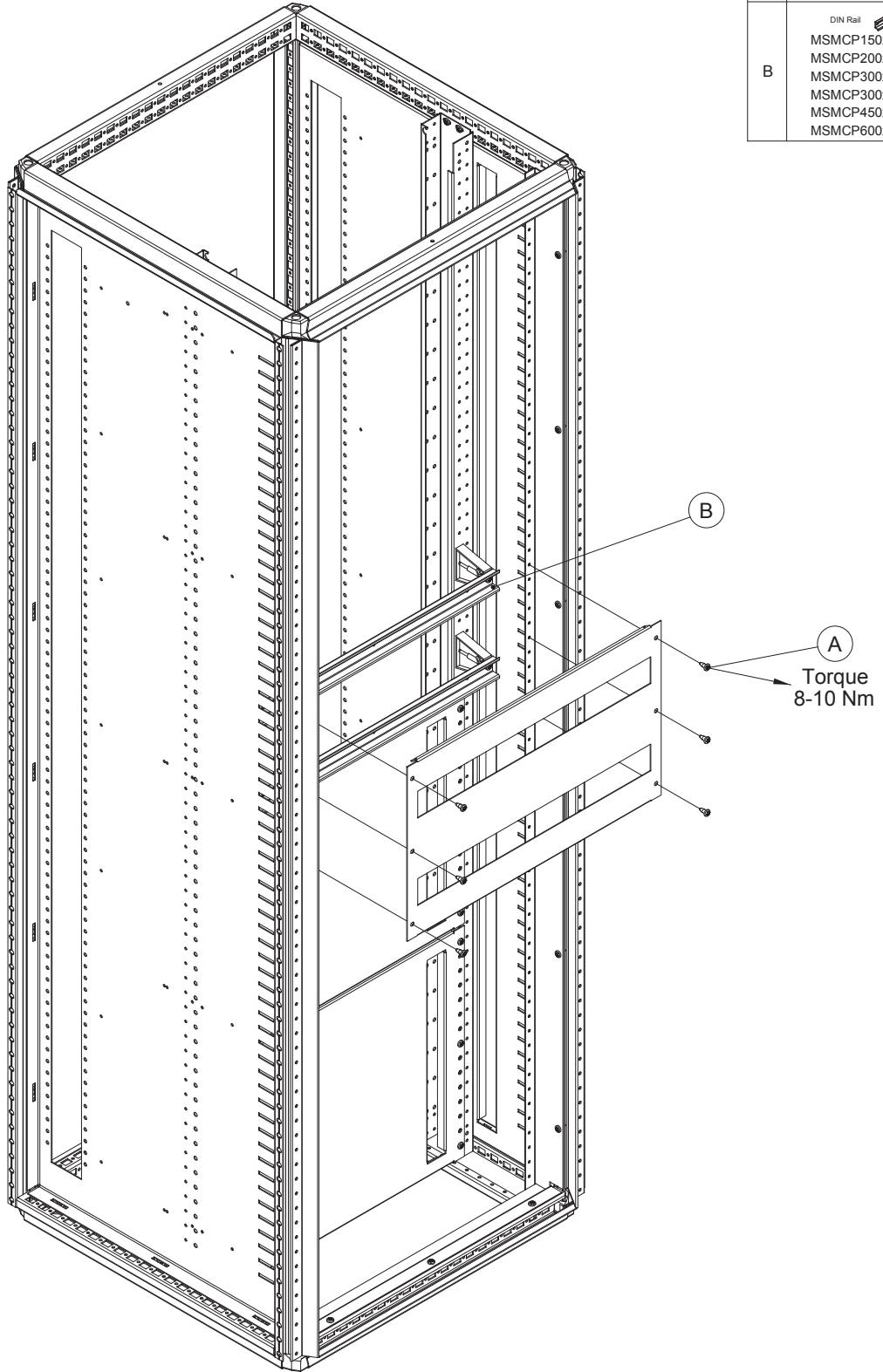
Ref.	Pic.	Qty.
A	 ST5.5x13	
	MSFCP1806	18
	MSFCP1808	18
	MSFCP2006	20
	MSFCP2008	20
	MSFCP2206	20
	MSFCP2208	20





# FORM 2 MSMCP SLOTTED FRONT COVER

Ref.	Pic.	Qty.
A	MS.5x13	
	MSMCP150x	4
	MSMCP200x	4
	MSMCP300x-1	6
	MSMCP300x-2	6
	MSMCP450x	8
	MSMCP600x	10
B	DIN Rail	
	MSMCP150x	1
	MSMCP200x	1
	MSMCP300x-1	1
	MSMCP300x-2	2
	MSMCP450x	3
	MSMCP600x	4

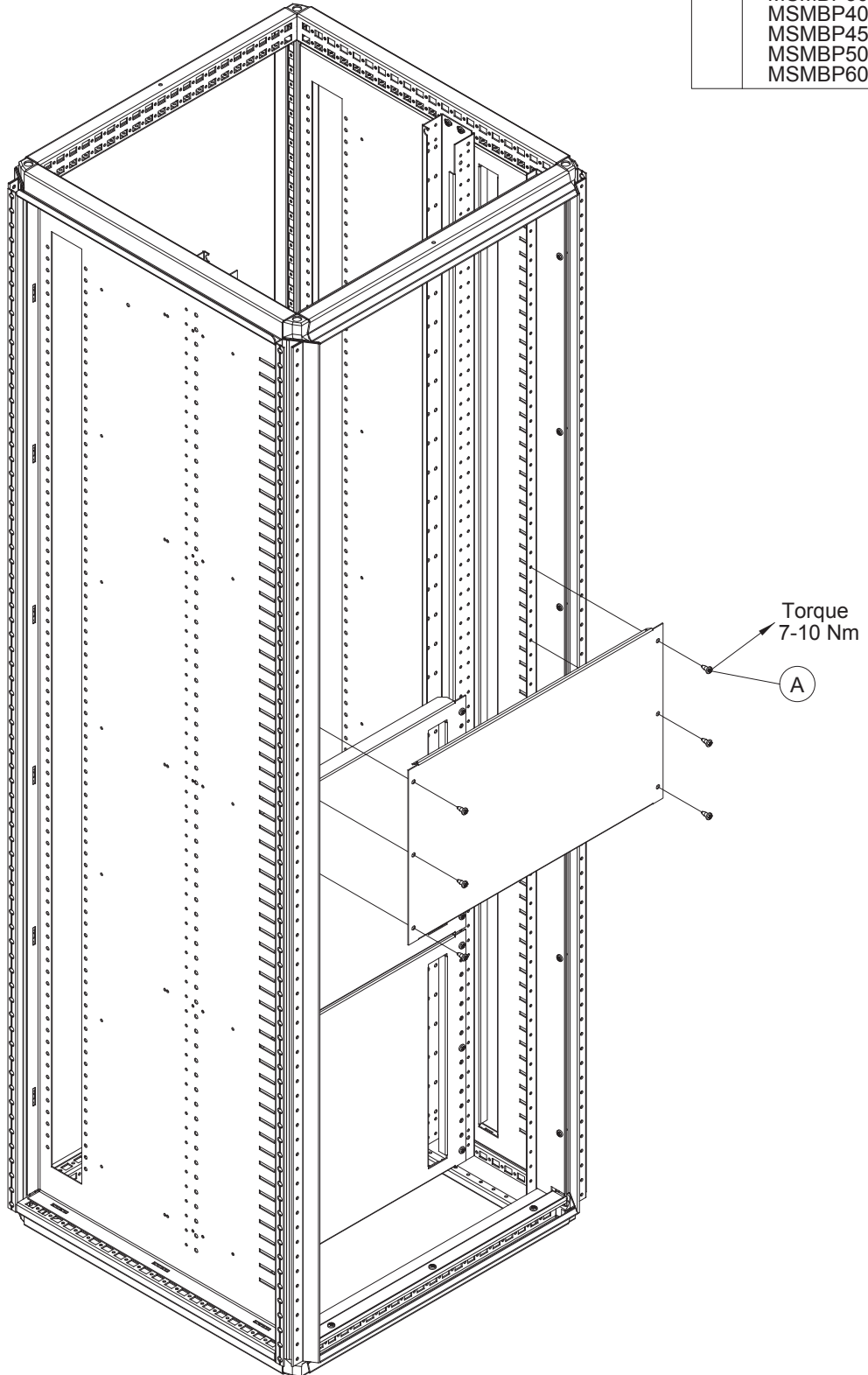






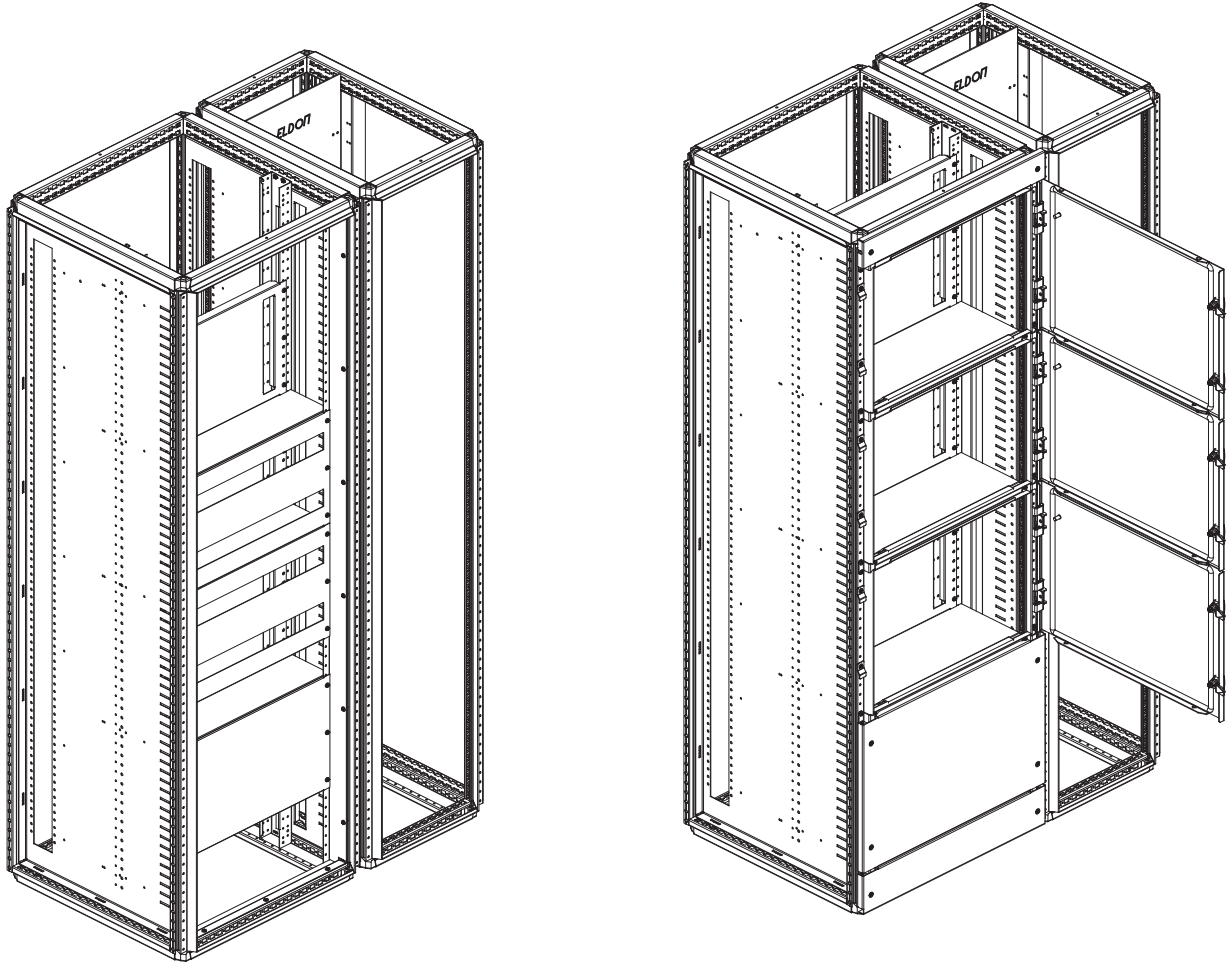
# FORM 2 MSMBP PLAIN FRONT PANEL

Ref.	Pic.	Qty.
A	M5.5x13	
	MSMBP050x	2
	MSMBP100x	4
	MSMBP150x	4
	MSMBP200x	4
	MSMBP250x	6
	MSMBP300x	6
	MSMBP400x	6
	MSMBP450x	8
	MSMBP500x	8
MSMBP600x	10	




---

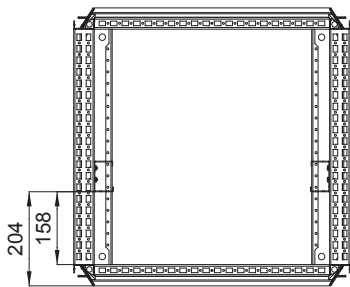
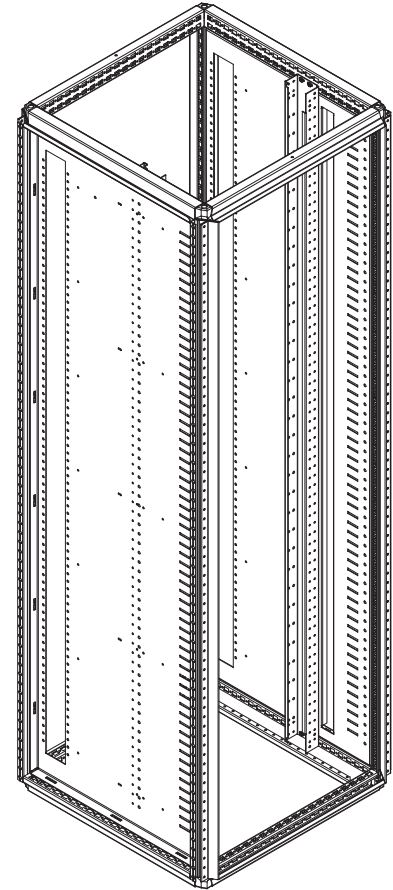
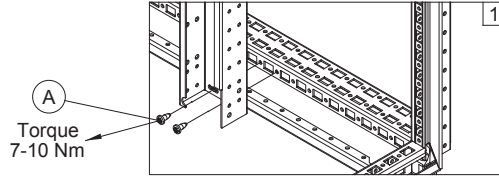
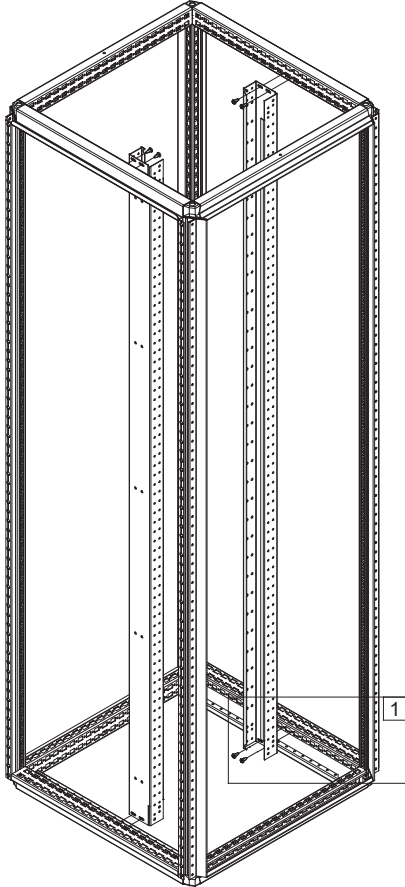
# FORM 3 FIX SYSTEM



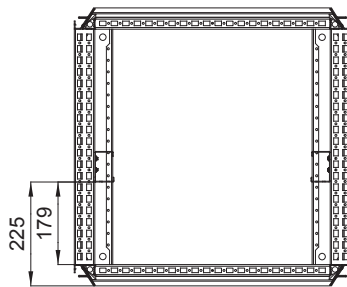


# FORM 3 MSFP VERTICAL PROFILES

Ref.	Pic.	Qty.
A	 M5.5x13	20



Profile is mounted in this depth if you are going to use front covers

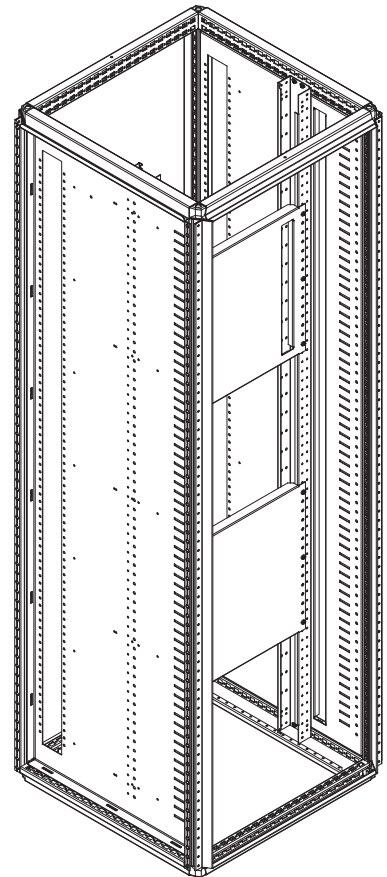
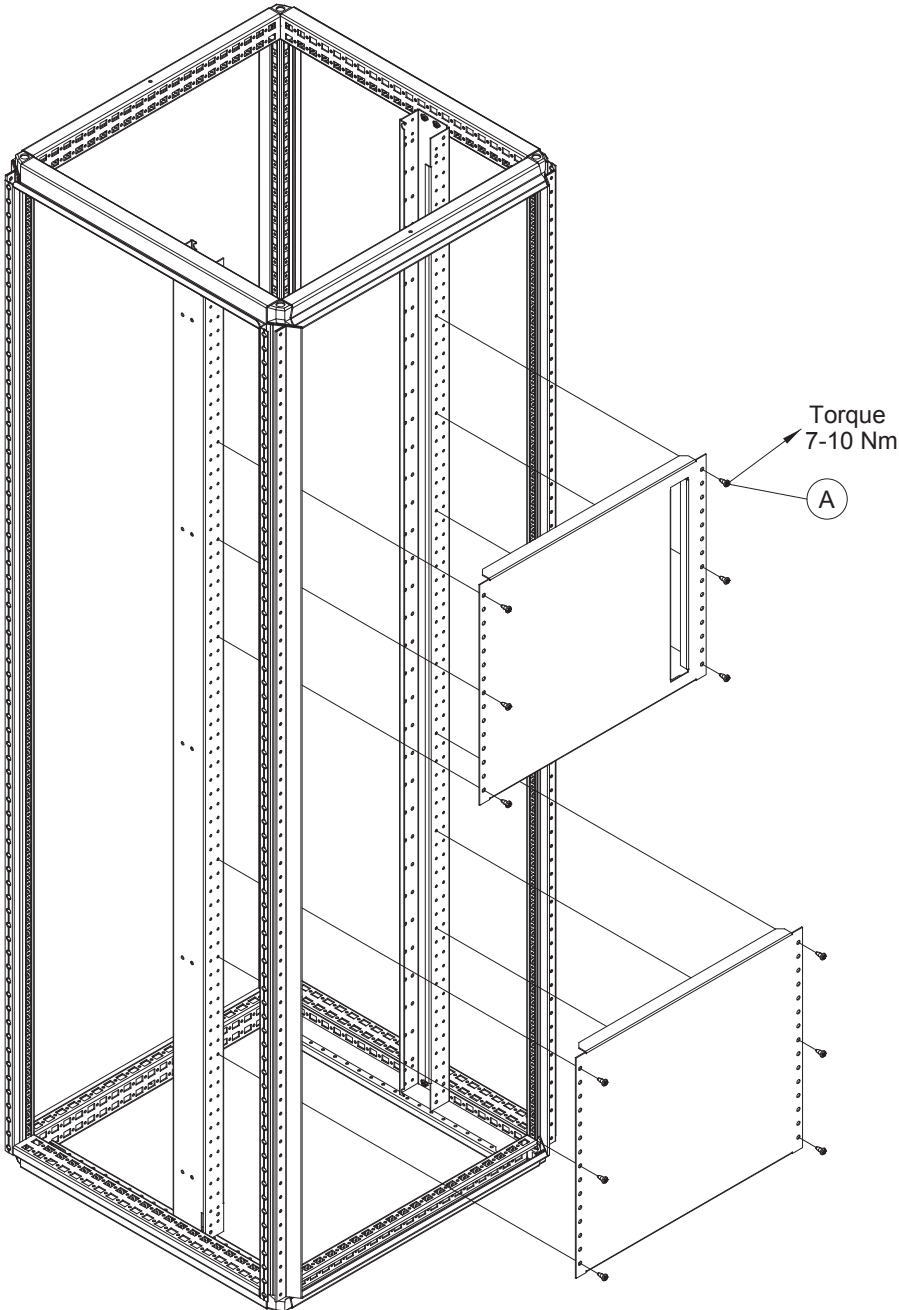


Profile is mounted in this depth if you are going to use partial doors/panels



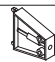

# FORM 3 MSMPN/MSMPNxxxxV MOUNTING PLATES

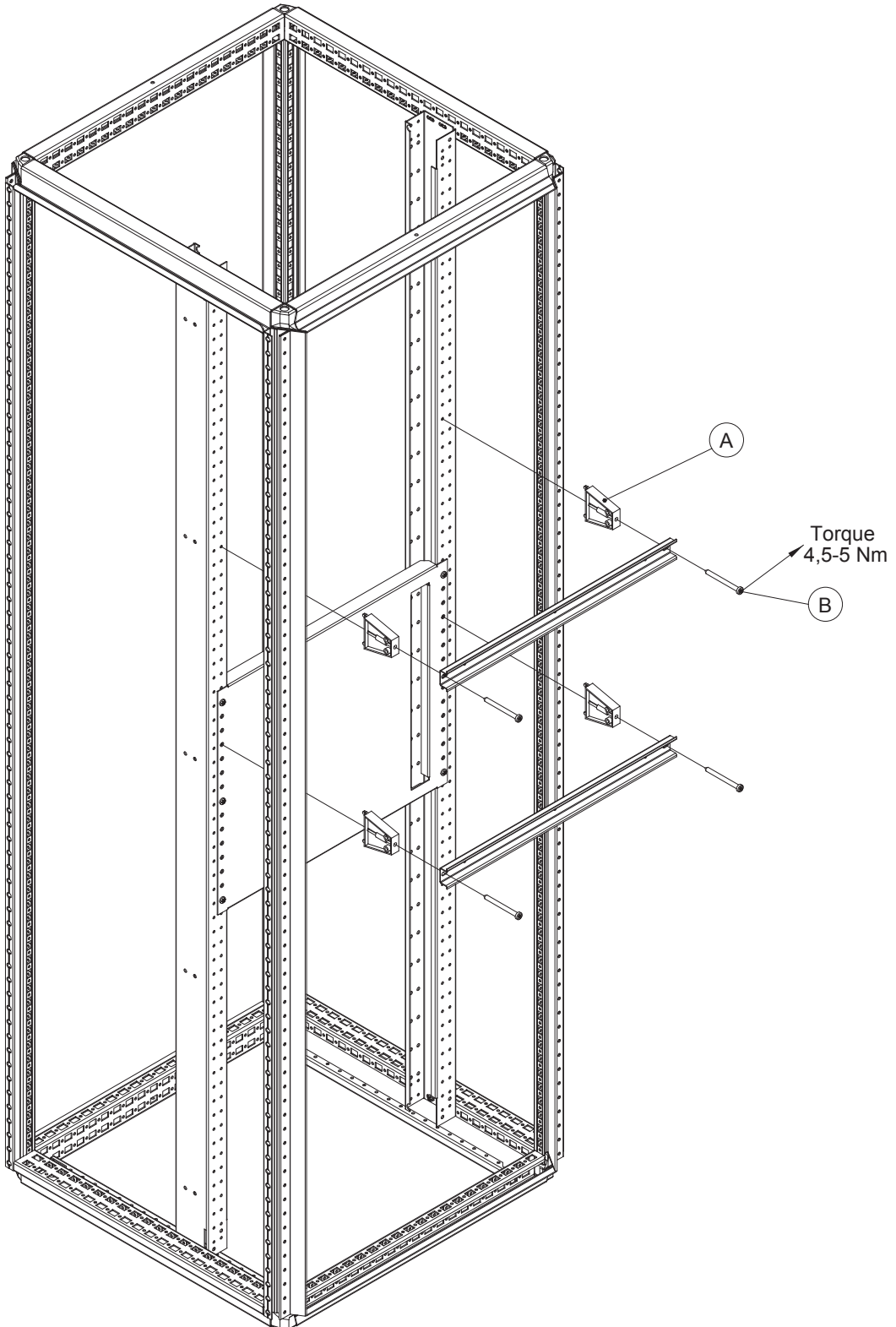
Ref.	Pic.	Qty.
	ST5.5x13	
A	MSMPN0506	2
	MSMPN1006/MSMPN1006H	4
	MSMPN1506/MSMPN1506V	4
	MSMPN2006/MSMPN2006V	4
	MSMPN2506/MSMPN2506V	4
	MSMPN3006/MSMPN3006V	6
	MSMPN4006/MSMPN4006V	6
	MSMPN4506/MSMPN4506V	6
	MSMPN5006/MSMPN5006V	6
	MSMPN6006/MSMPN6006V	8
	MSMPN6010	8
	MSMPN8xxxx/MSMPN8xxxxV	8



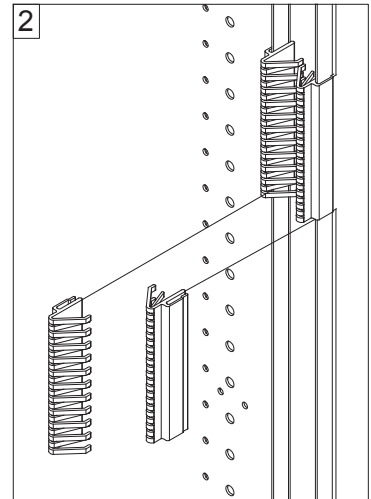
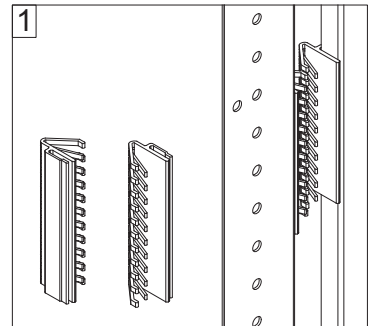
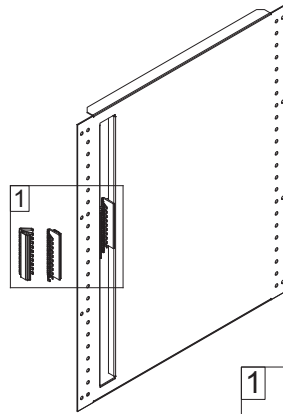
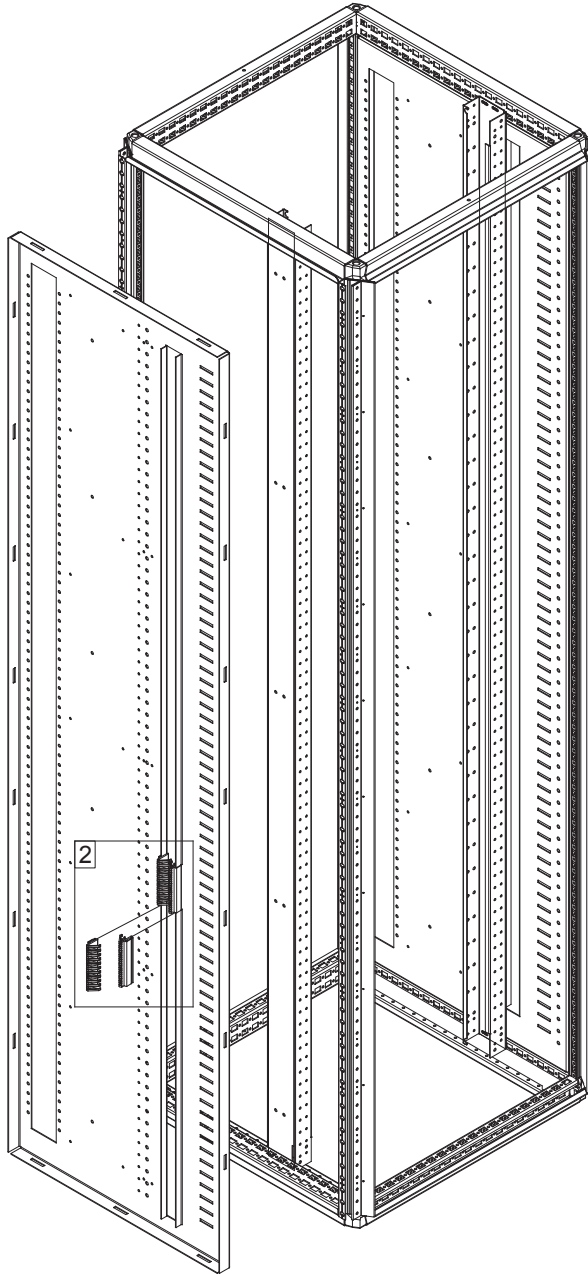


# FORM 3 MSADP DIN ADAPTOR

Ref.	Pic.	Qty.
A		10
B	 ST5.5x70	10




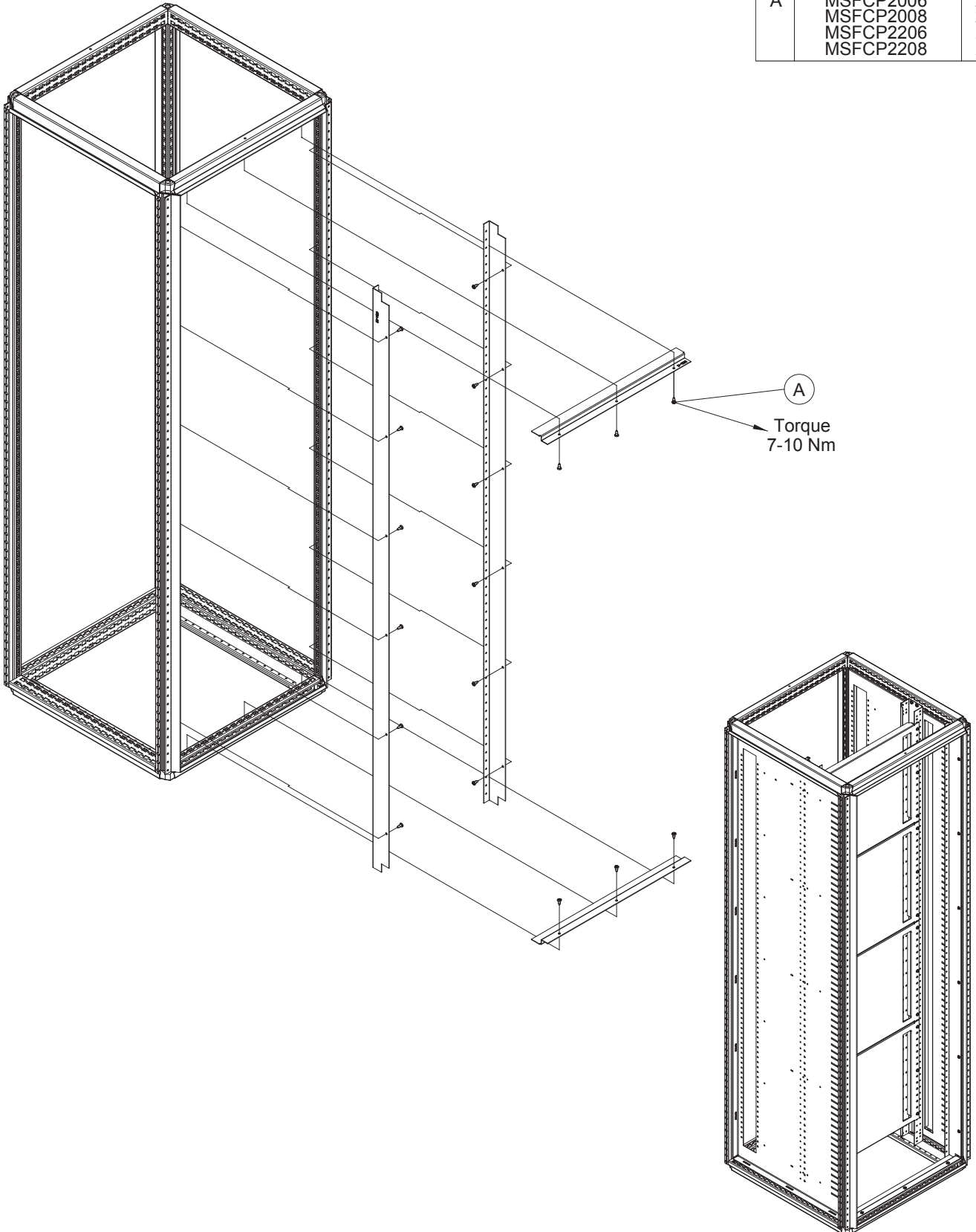
# FORM 3 MSFG CONTACT PROTECTION





# FORM 3 MSFCP FRONT COVER PROFILES

Ref.	Pic.	Qty.
A	 ST5.5x13	
	MSFCP1806	18
	MSFCP1808	18
	MSFCP2006	20
	MSFCP2008	20
	MSFCP2206	20
	MSFCP2208	20

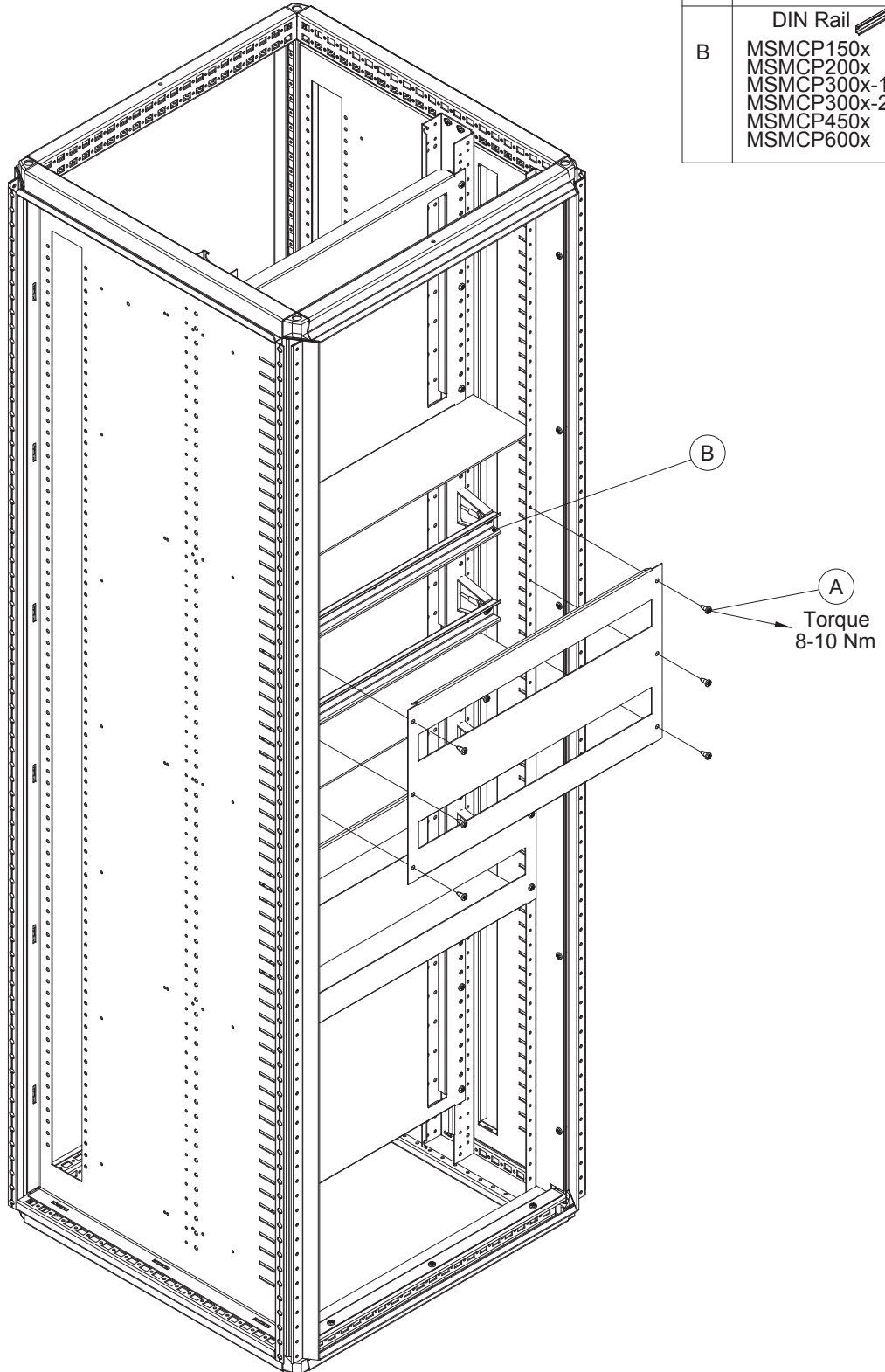




T25

# FORM 3 MSMCP SLOTTED FRONT PANEL

Ref.	Pic.	Qty.
A	M5.5x13	
	MSMCP150x	4
	MSMCP200x	4
	MSMCP300x-1	6
	MSMCP300x-2	6
	MSMCP450x	8
	MSMCP600x	10
B	DIN Rail	
	MSMCP150x	1
	MSMCP200x	1
	MSMCP300x-1	1
	MSMCP300x-2	2
	MSMCP450x	3
	MSMCP600x	4

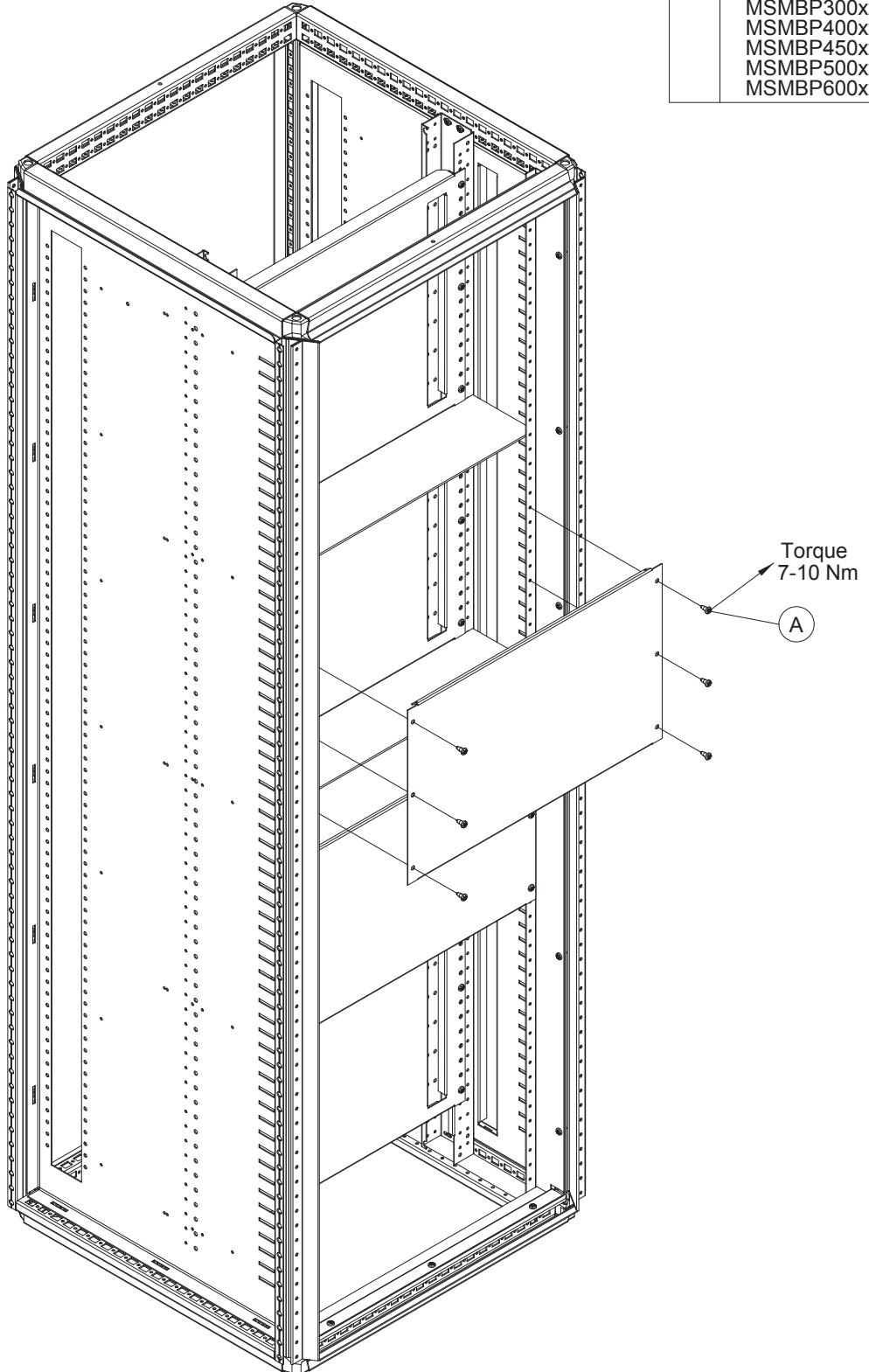






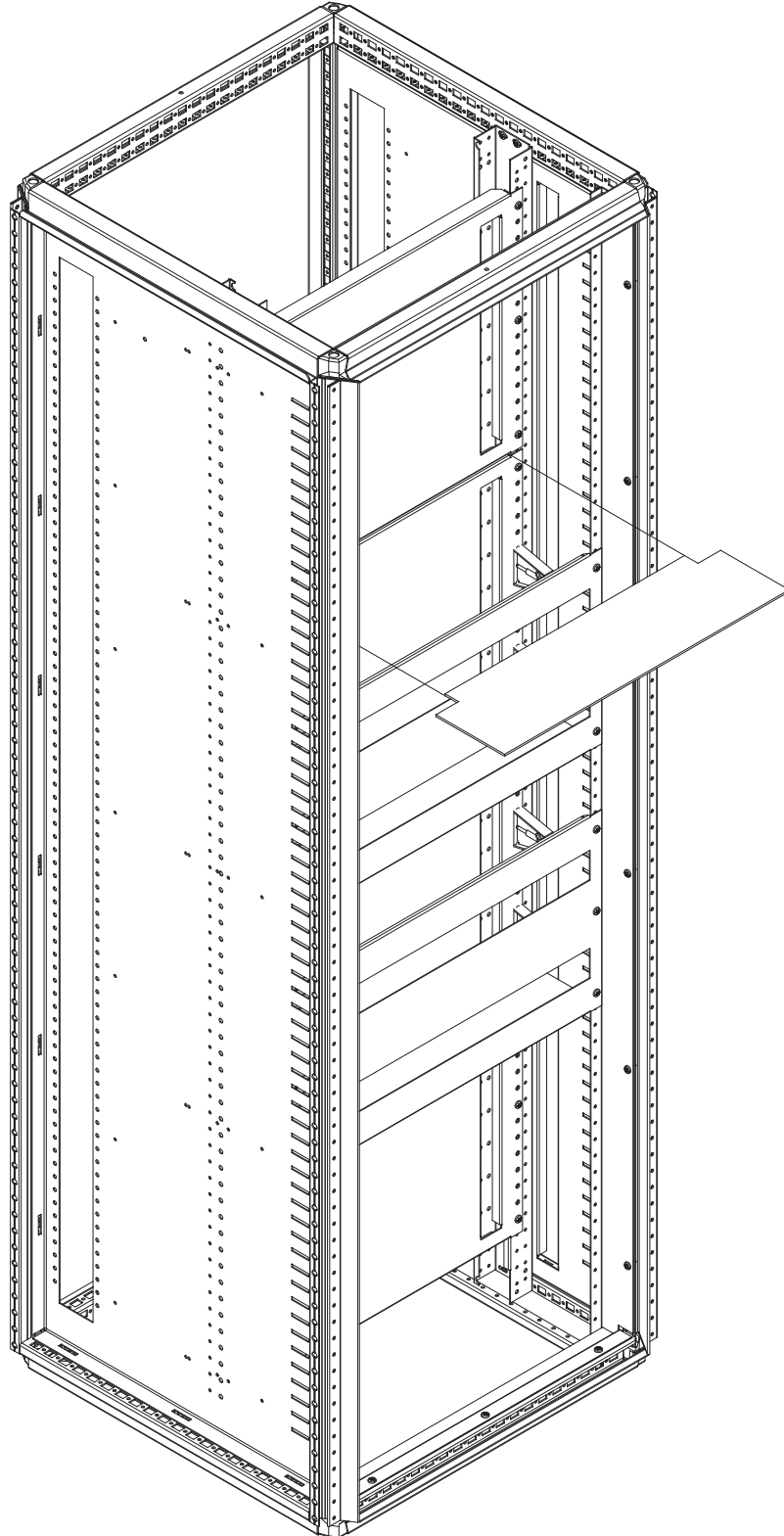
# FORM 3 MSMBP PLAIN FRONT PANEL

Ref.	Pic.	Qty.
A	M5.5x13	
	MSMBP050x	2
	MSMBP100x	4
	MSMBP150x	4
	MSMBP200x	4
	MSMBP250x	6
	MSMBP300x	6
	MSMBP400x	6
	MSMBP450x	8
	MSMBP500x	8
MSMBP600x	10	



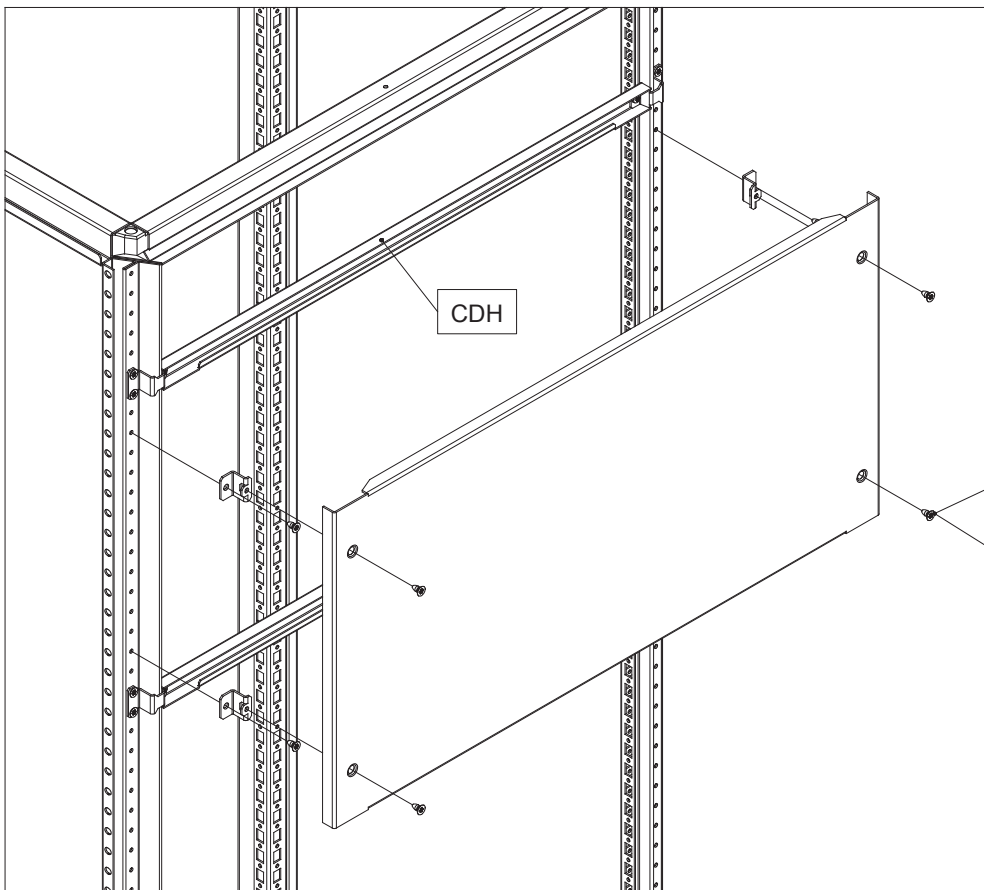
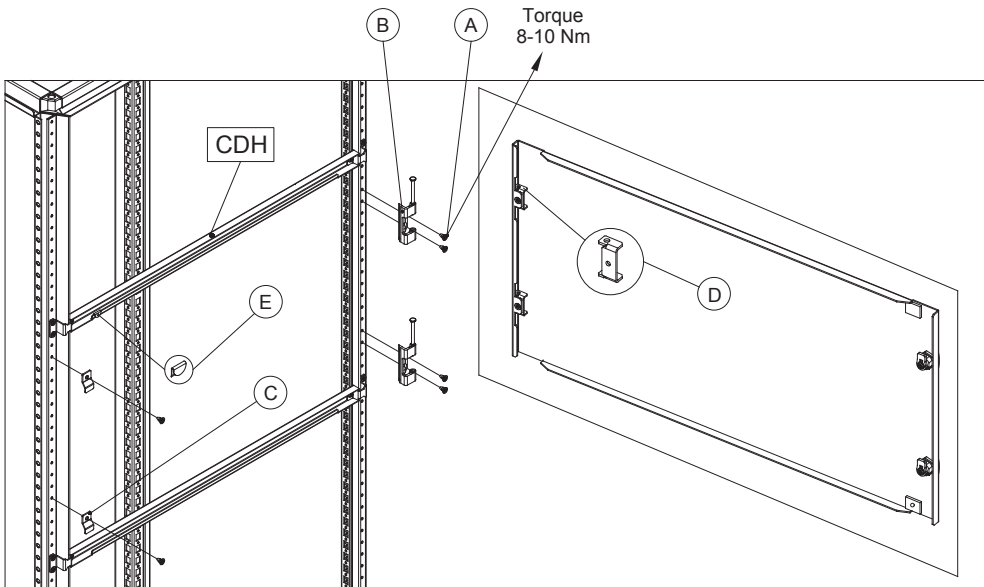
---

FORM 3  
MSIS  
HORIZONTAL DIVIDER





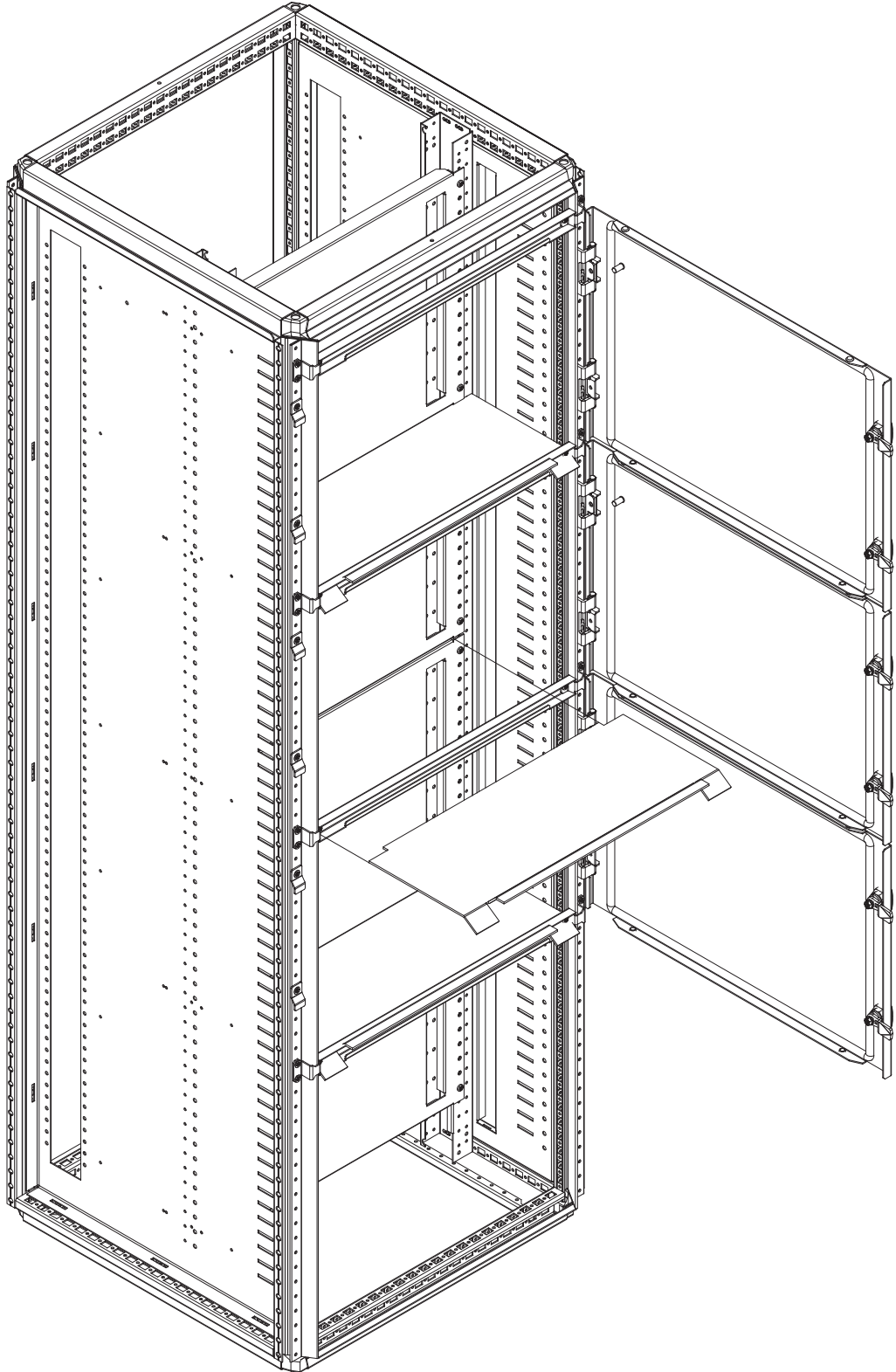
# FORM 3 DP/DPP PARTIAL DOOR/PANEL



Ref.	Pic.	Qty.
A	DPP M6x12	
	DPP010xx	4
	DPP015xx	4
	DPP020xx	8
	DPP025xx	8
	DPP030xx DPP040xx	8 8
A	DP M6x12	
	DP015xx	4
	DP020xx	4
	DP025xx	7
	DP030xx	7
	DP040xx	8
	DP050xx	8
	DP060xx	8
	DP080xx	8
	DP100xx DP120xx	8 8
B	DP015xx-DP020xx	1
	DP025xx-DP120xx	2
C	DP015xx-DP030xx	1
	DP040xx-DP120xx	2
D	DP015xx-DP020xx	1
	DP025xx-DP120xx	2
E	DP015xx-DP120xx	1

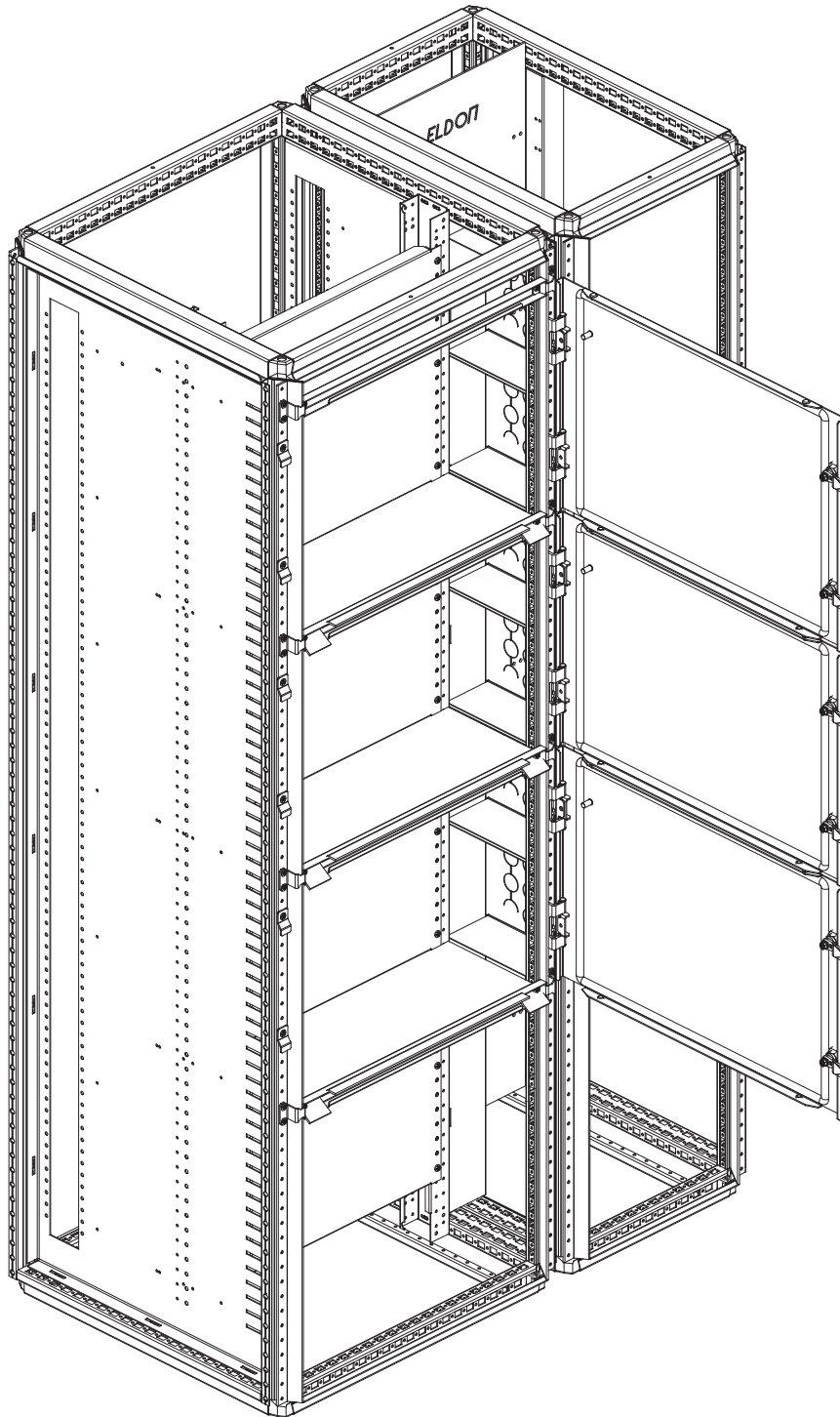
---

FORM 3  
MSES  
HORIZONTAL DIVIDER



---

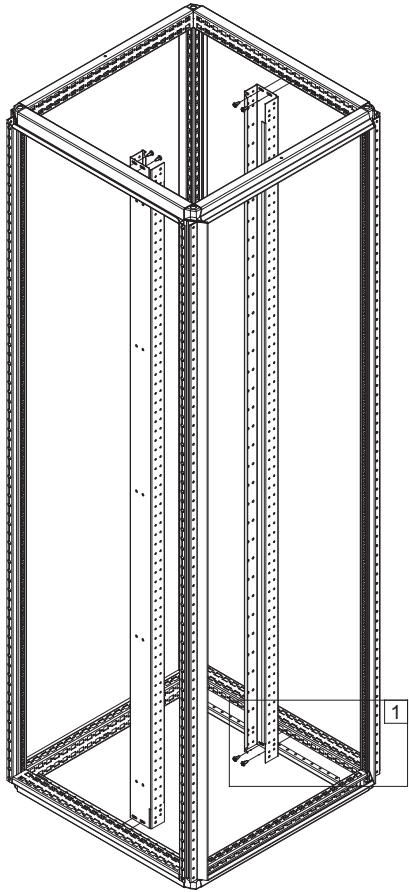
# FORM 4 FIX SYSTEM



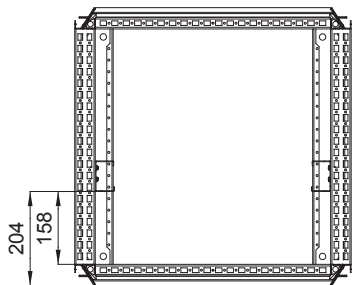
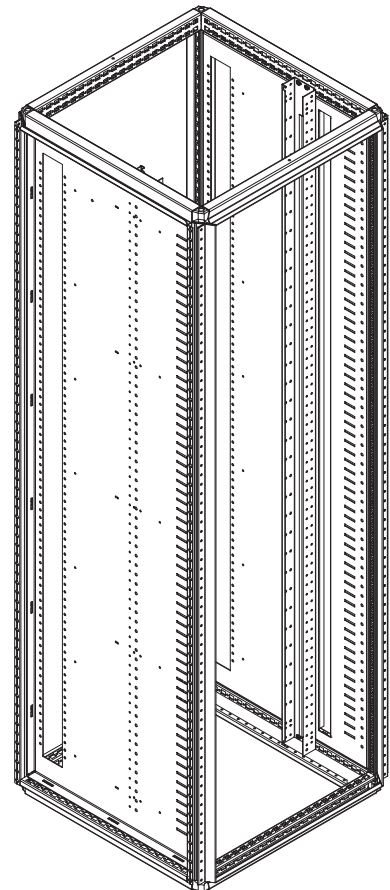
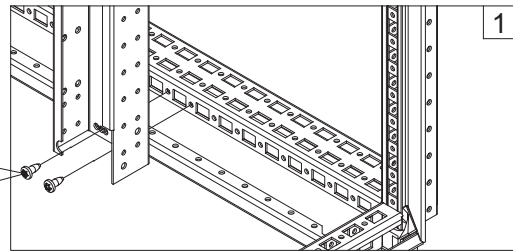


# FORM 4 MSFP VERTICAL PROFILES

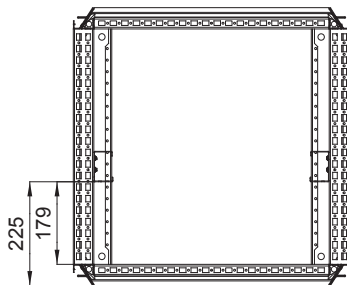
Ref.	Pic.	Qty.
A	M5.5x13	20



A  
Torque  
7-10 Nm



Profile is mounted in this depth  
if you are going to use front covers

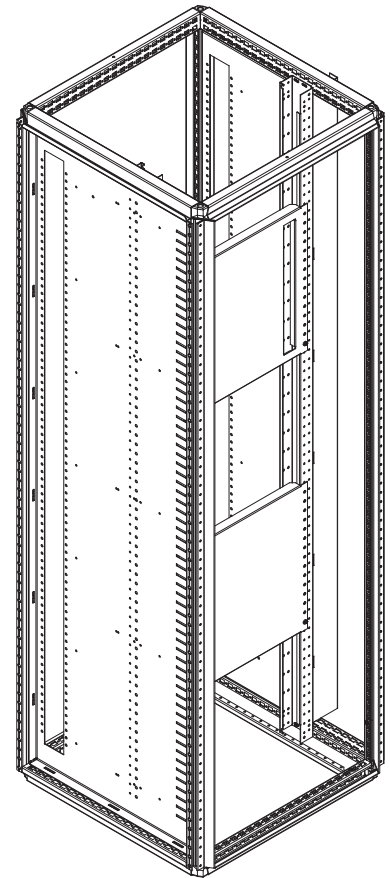
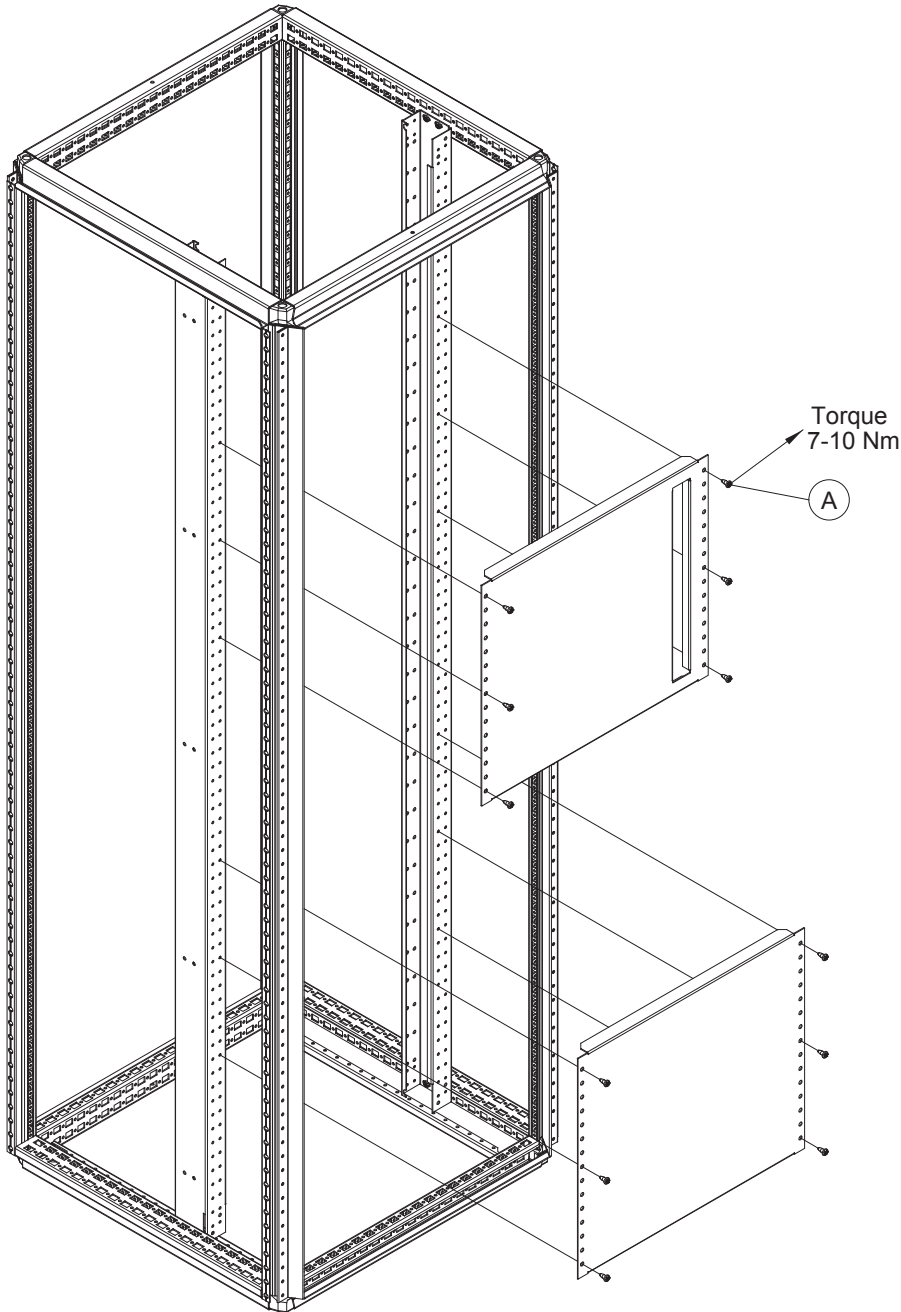


Profile is mounted in this depth  
if you are going to use partial doors/panels



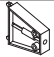
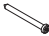
# FORM 4 MSMPN/MSMPNxxxxV MOUNTING PLATES

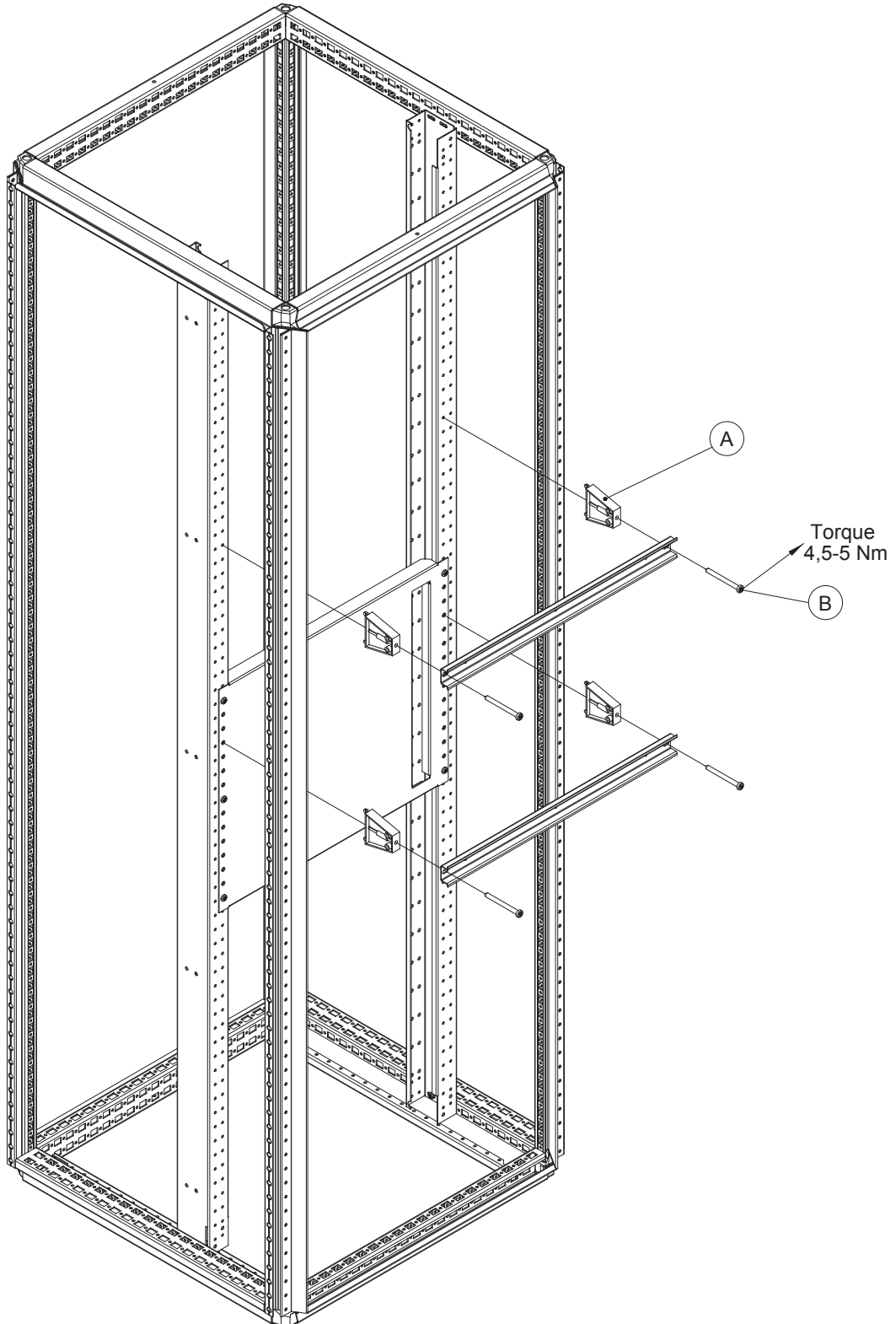
Ref.	Pic.	Qty.
	ST5.5x13	
A	MSMPN0506	2
	MSMPN1006/MSMPN1006H	4
	MSMPN1506/MSMPN1506V	4
	MSMPN2006/MSMPN2006V	4
	MSMPN2506/MSMPN2506V	4
	MSMPN3006/MSMPN3006V	6
	MSMPN4006/MSMPN4006V	6
	MSMPN4506/MSMPN4506V	6
	MSMPN5006/MSMPN5006V	6
	MSMPN6006/MSMPN6006V	8
	MSMPN6010	8
	MSMPN8xxxx/MSMPN8xxxxV	8





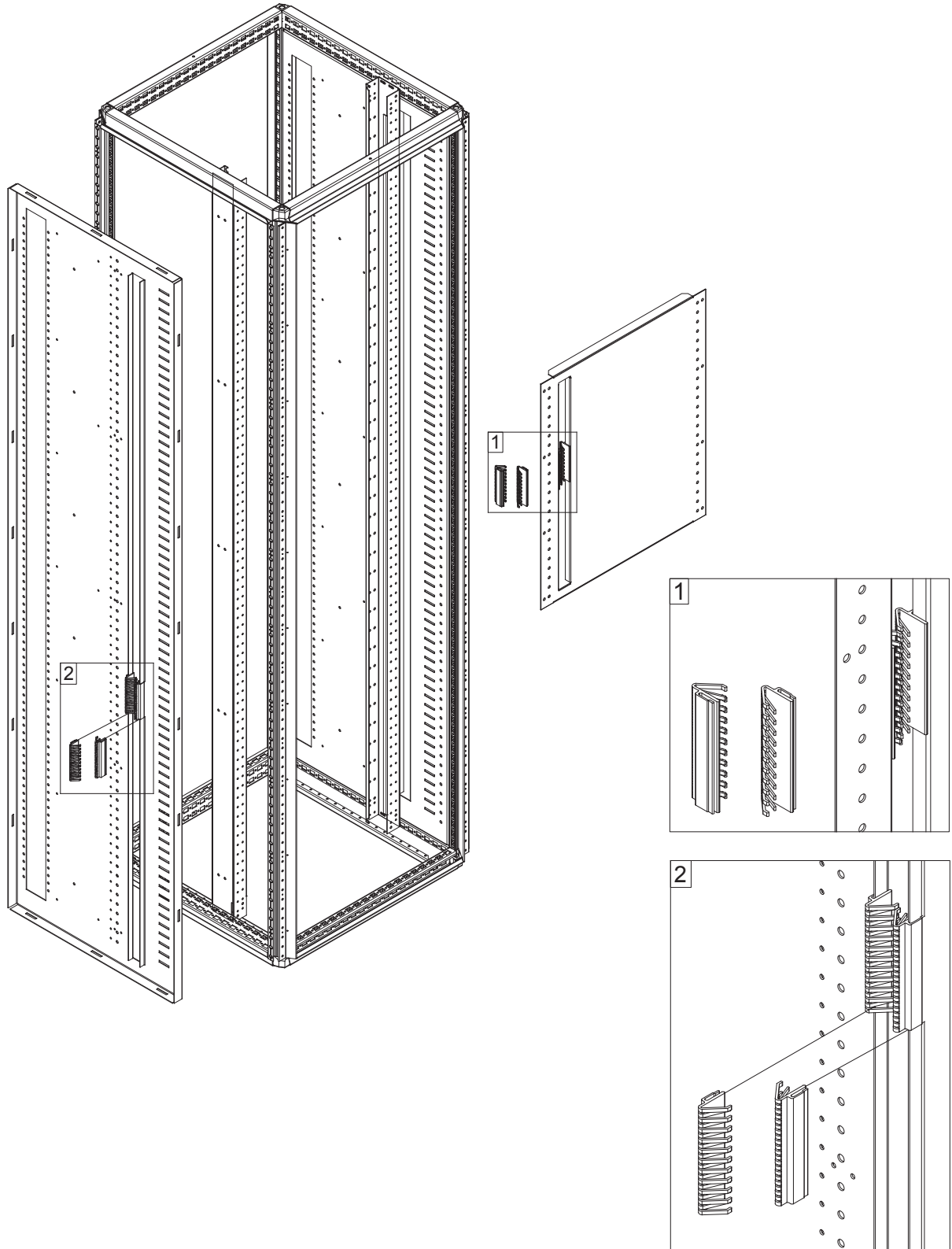
# FORM 4 MSADP DIN ADAPTOR

Ref.	Pic.	Qty.
A		10
B	 ST5.5x70	10






# FORM 4 MSFG CONTACT PROTECTION

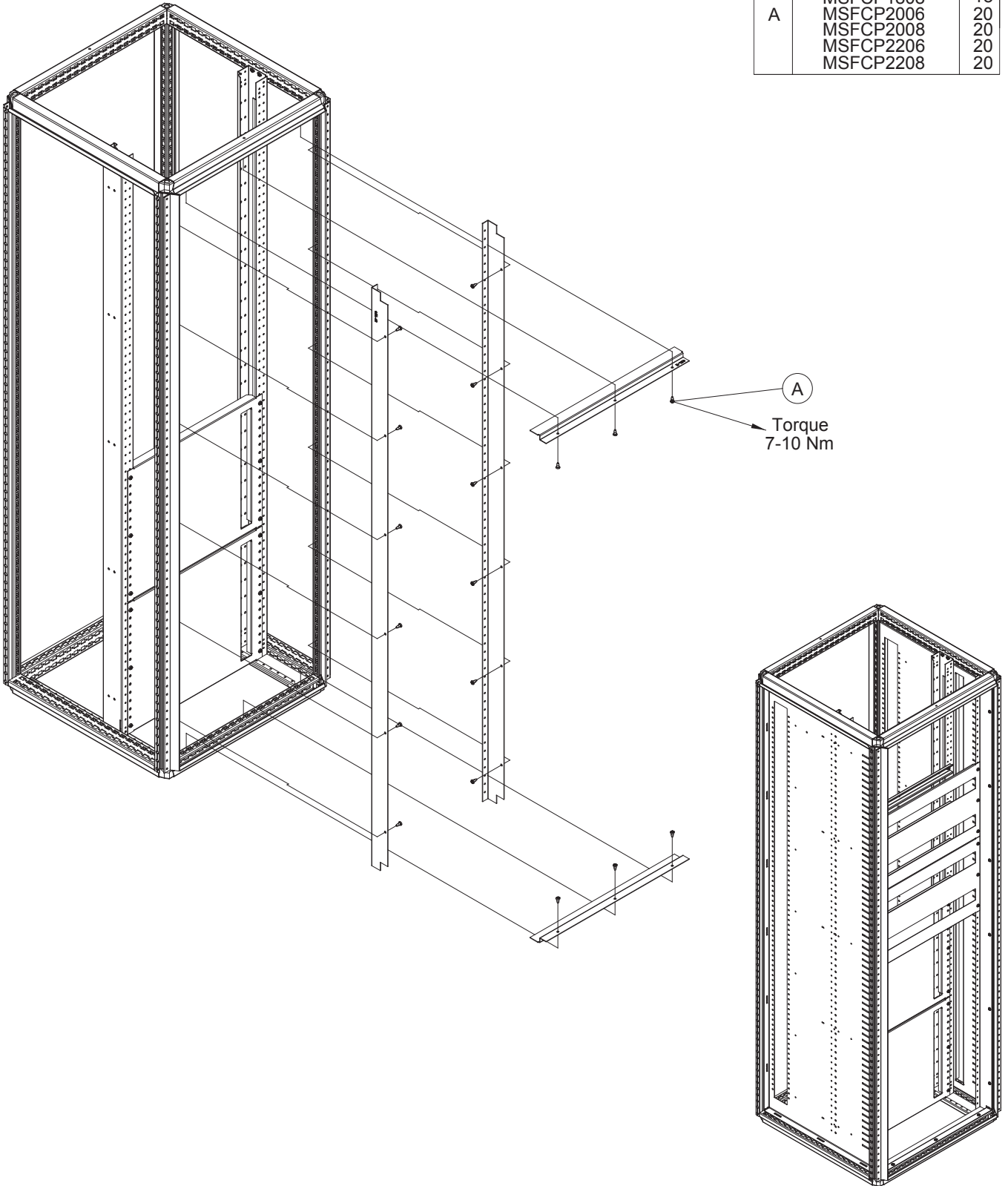




T25

# FORM 4 MSFCP FRONT COVER PROFILE

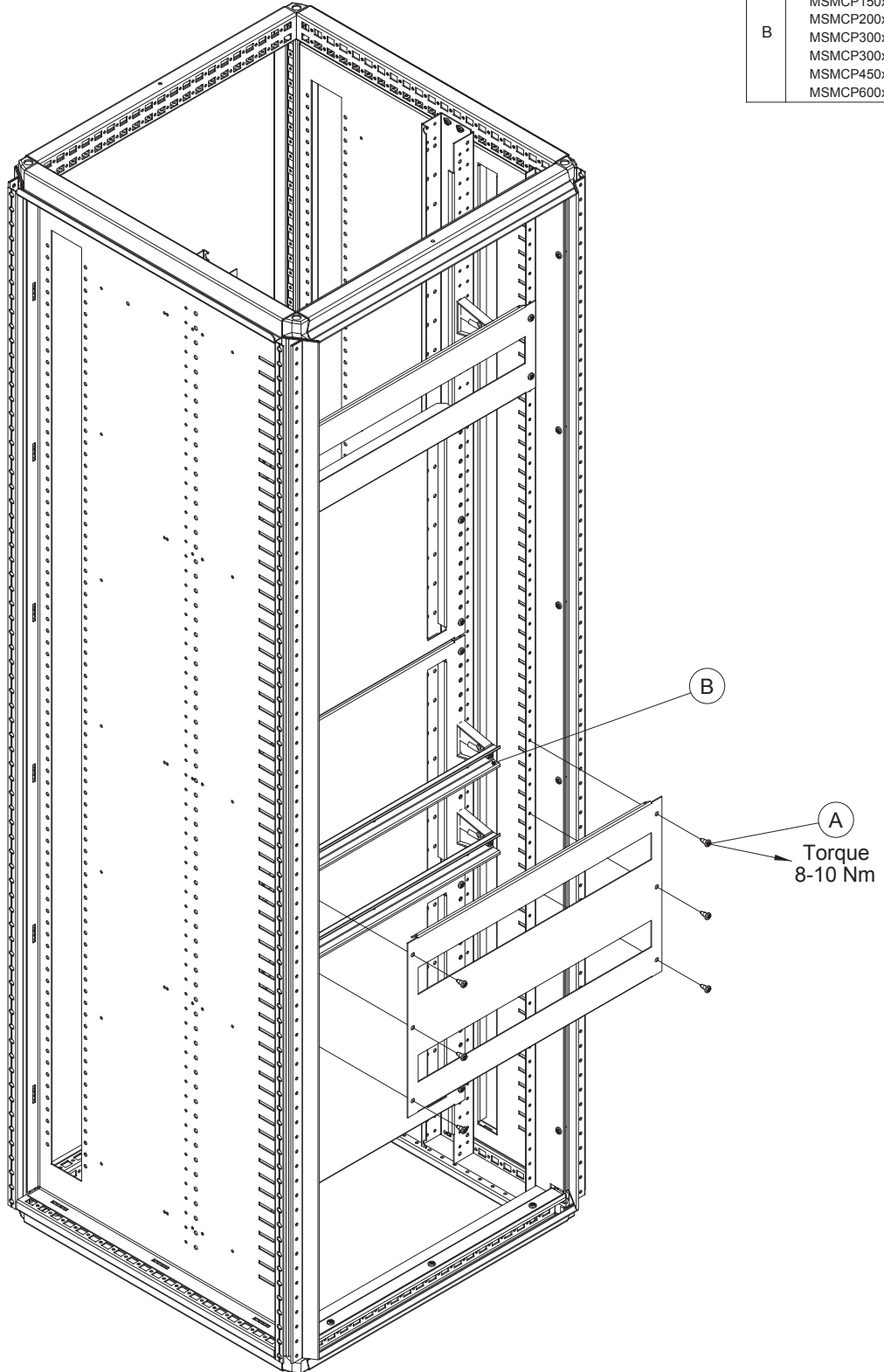
Ref.	Pic.	Qty.
A	 ST5.5x13	
	MSFCP1806	18
	MSFCP1808	18
	MSFCP2006	20
	MSFCP2008	20
	MSFCP2206	20
MSFCP2208	20	





# FORM 4 MSMCP SLOTTED FRONT PANEL

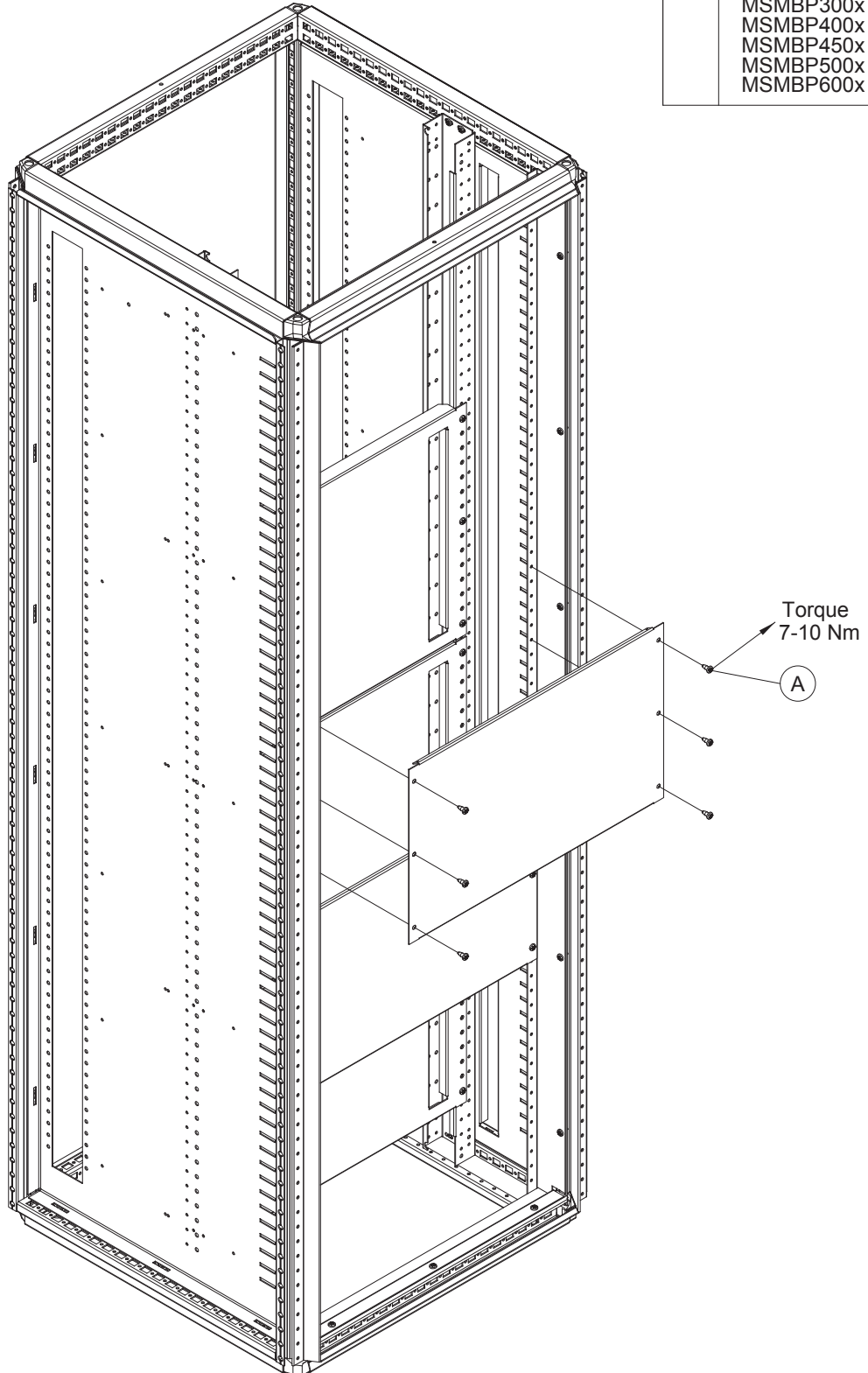
Ref.	Pic.	Qty.
A	M5.5x13	
	MSMCP150x	4
	MSMCP200x	4
	MSMCP300x-1	6
	MSMCP300x-2	6
	MSMCP450x	8
	MSMCP600x	10
B	DIN Rail	
	MSMCP150x	1
	MSMCP200x	1
	MSMCP300x-1	1
	MSMCP300x-2	2
	MSMCP450x	3
	MSMCP600x	4





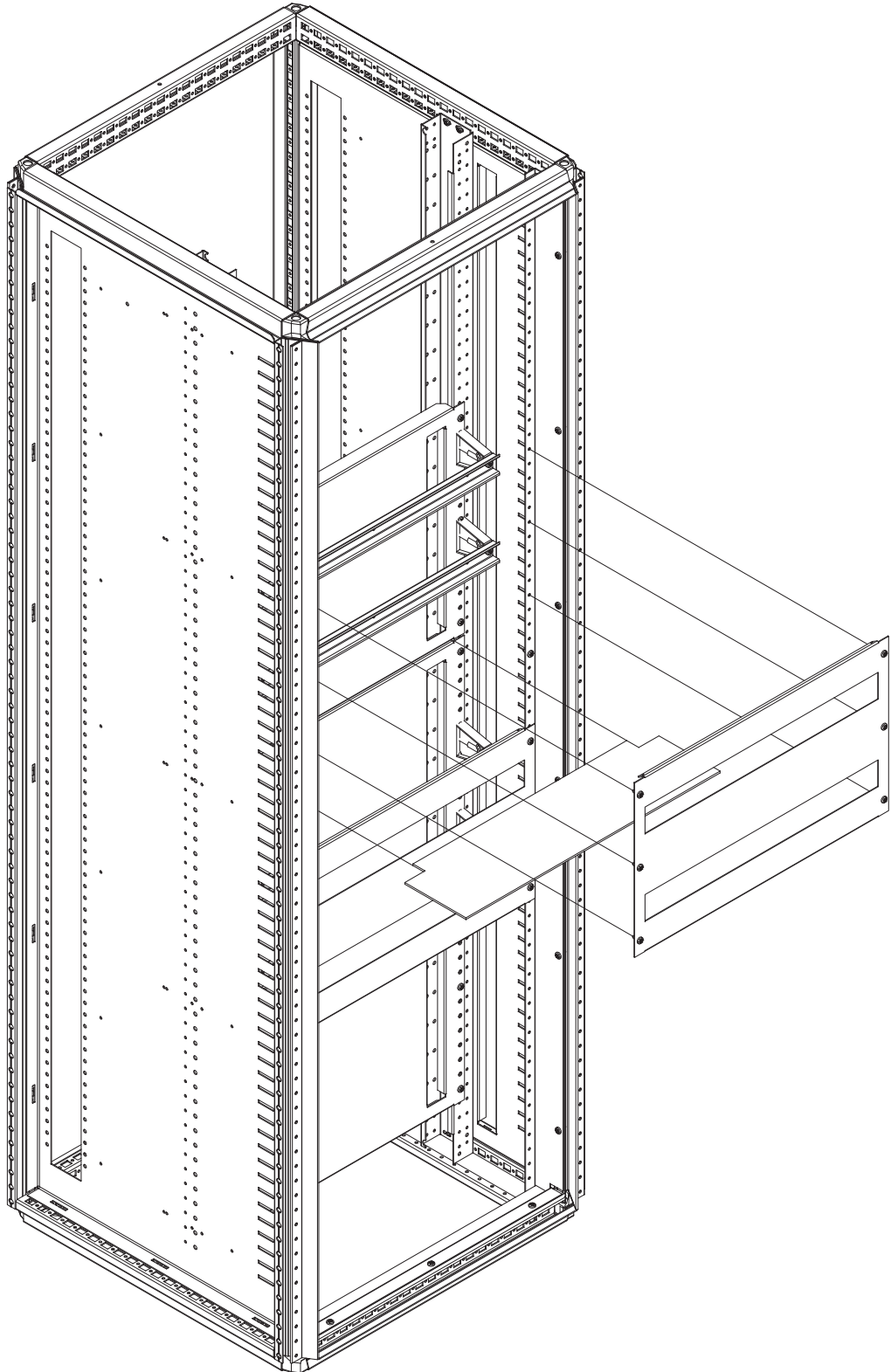
# FORM 4 MSMBP PLAIN FRONT PANEL

Ref.	Pic.	Qty.
A	M5.5x13	
	MSMBP050x	2
	MSMBP100x	4
	MSMBP150x	4
	MSMBP200x	4
	MSMBP250x	6
	MSMBP300x	6
	MSMBP400x	6
	MSMBP450x	8
	MSMBP500x	8
MSMBP600x	10	



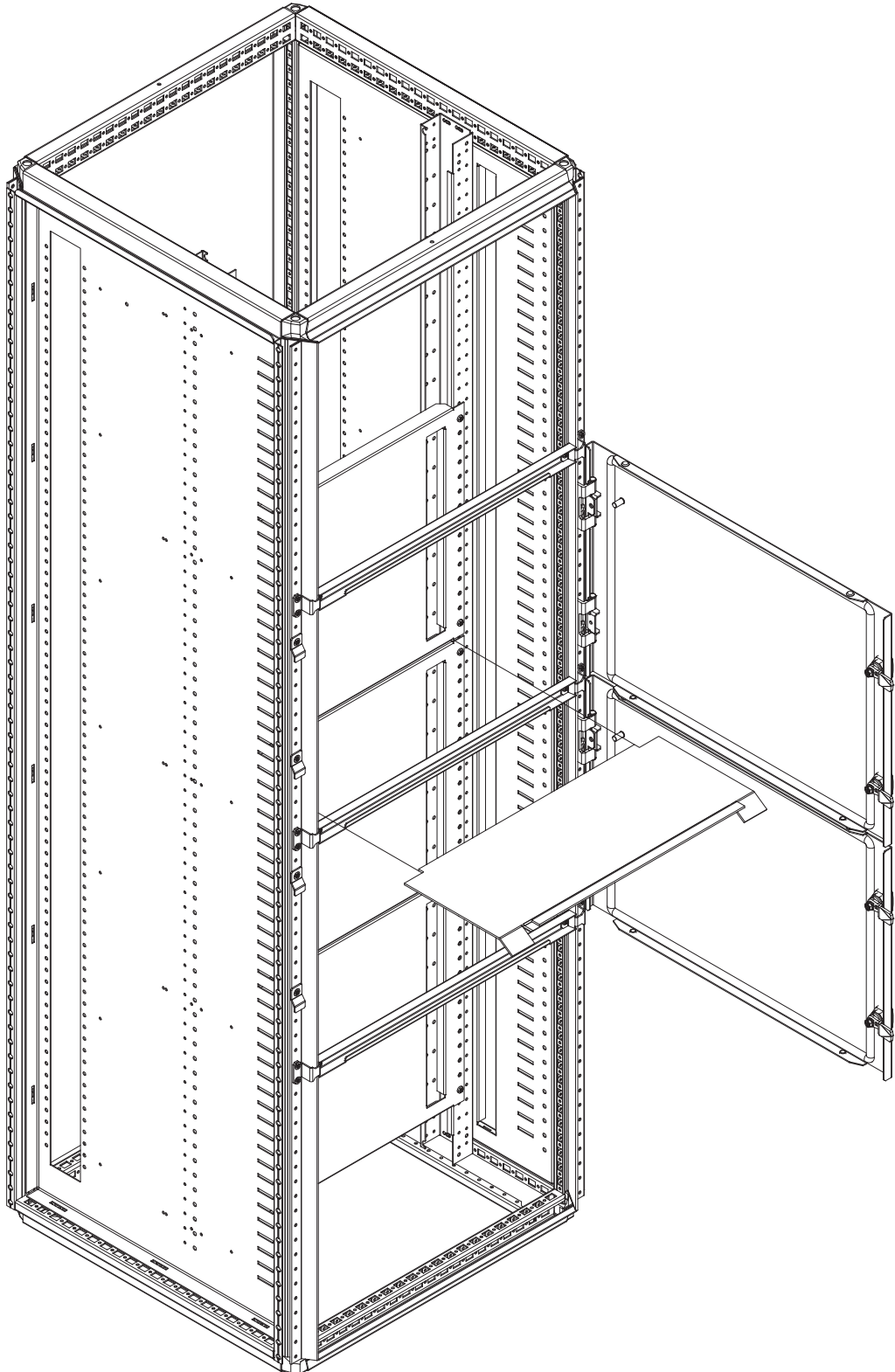
---

# FORM 4 MSIS HORIZONTAL DIVIDER



---

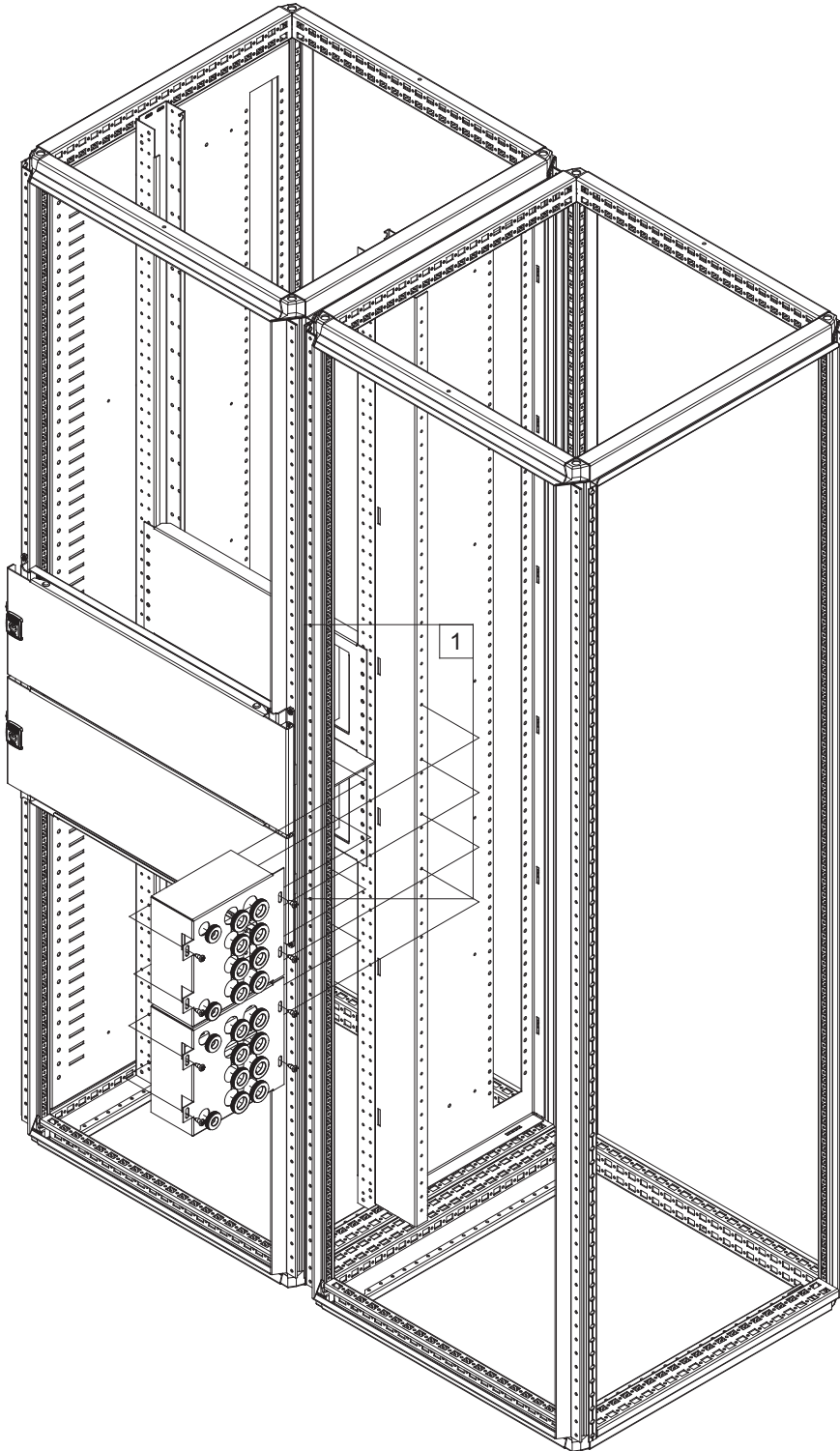
# FORM 4 MSES HORIZONTAL DIVIDER



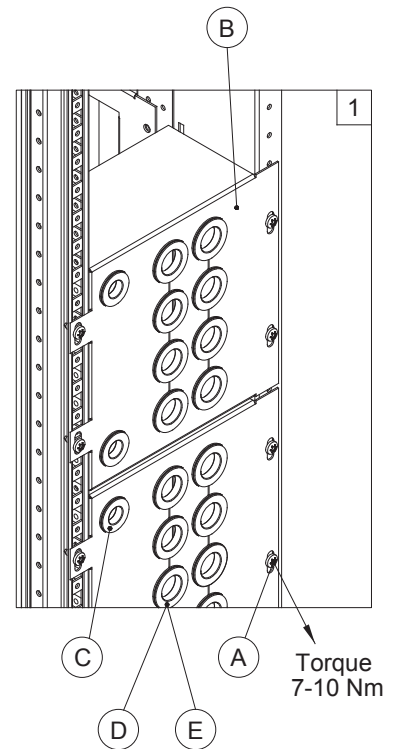


T25

# FORM 4 MSCE CABLE BOX

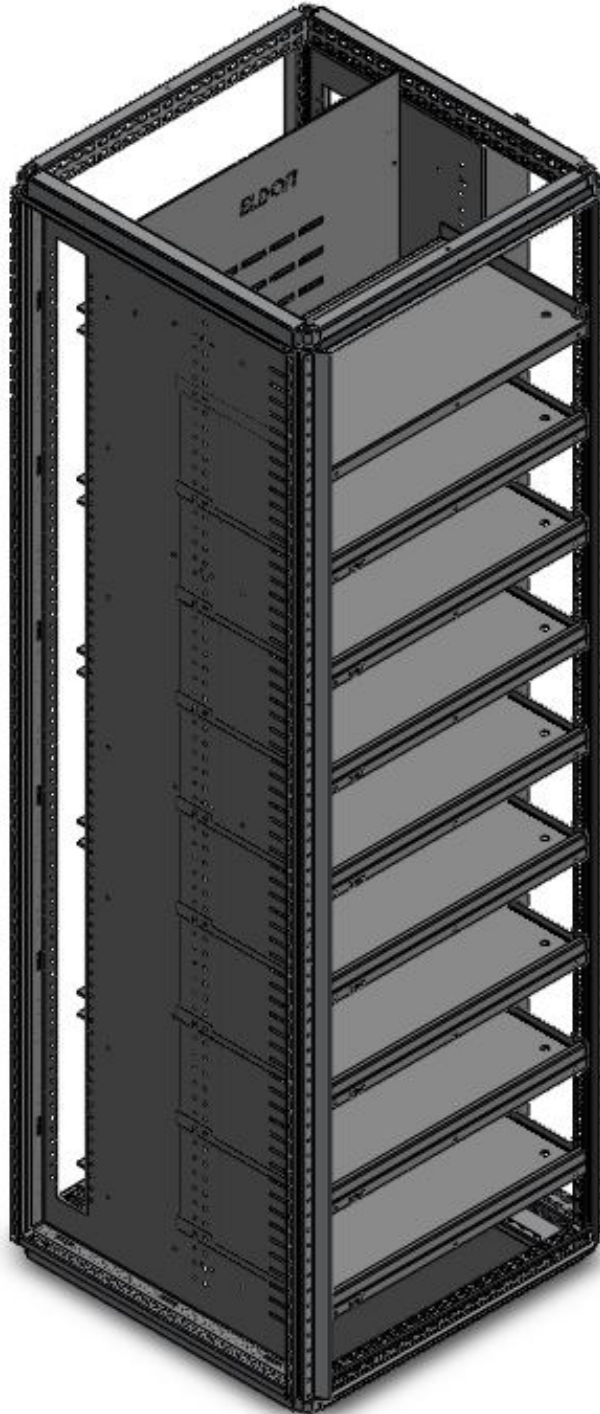


Ref.	Pic.	Qty.
A	M5.5x13 MSCE150 MSCE200 MSCE250 MSCE300	3
		4
		4
		4
B		1
C	10-14H	2
D	14-20H MSCE150 MSCE200 MSCE250 MSCE300	8
		8
		-
		-
E	20-26H MSCE150 MSCE200 MSCE250 MSCE300	-
		-
		8
		8



---

## PLUG-IN SYSTEM

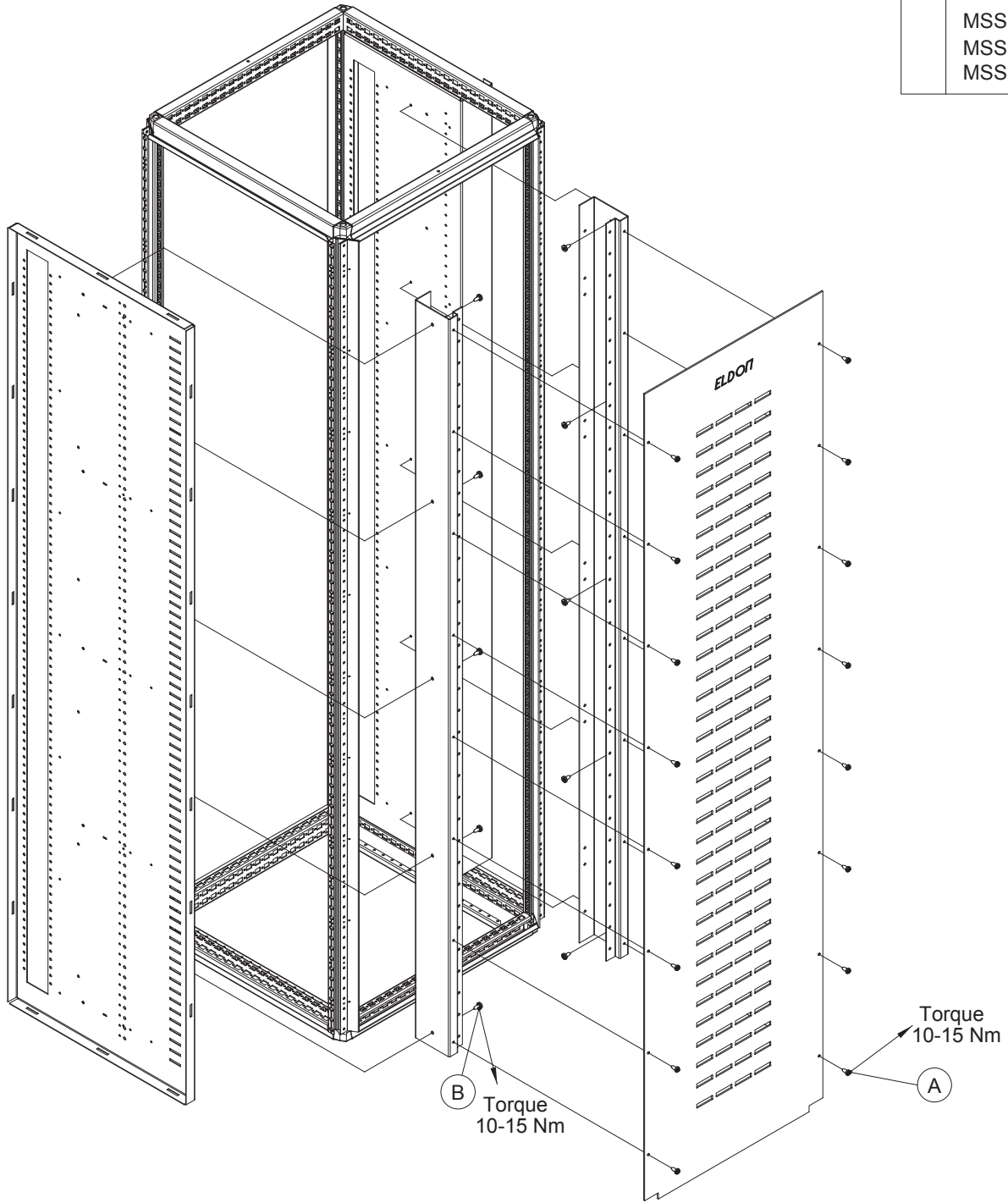






# MSSB VERTICAL BACK SEPARATION PLATE

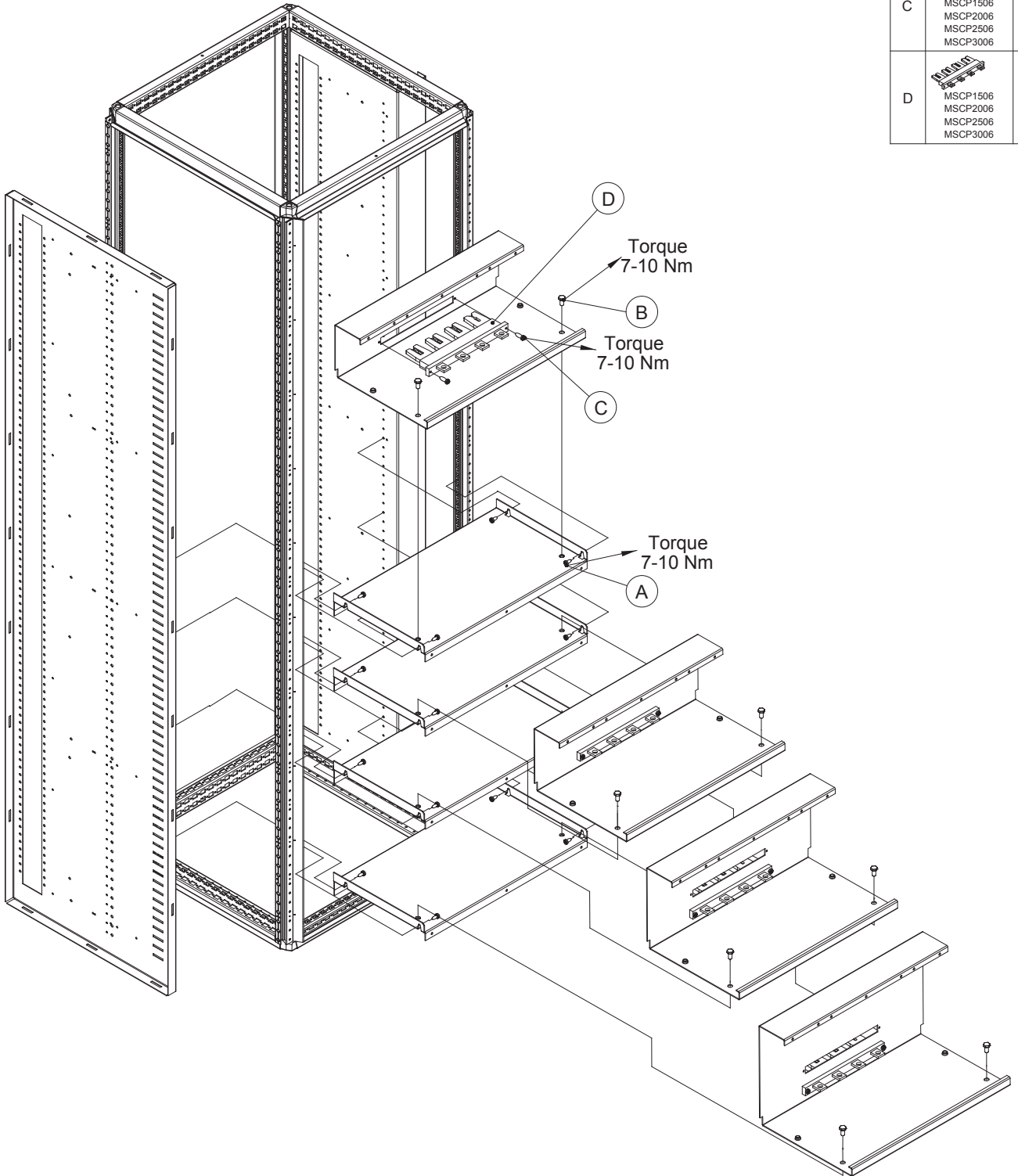
Ref.	Pic.	Qty.	
A		M5.5x13	
		MSSB1806	14
		MSSB2006	16
		MSSB2206	18
B		M6.3x13	
		MSSB1806	10
		MSSB2006	10
		MSSB2206	12






# MSCP FOR PLUG-IN CONNECTION

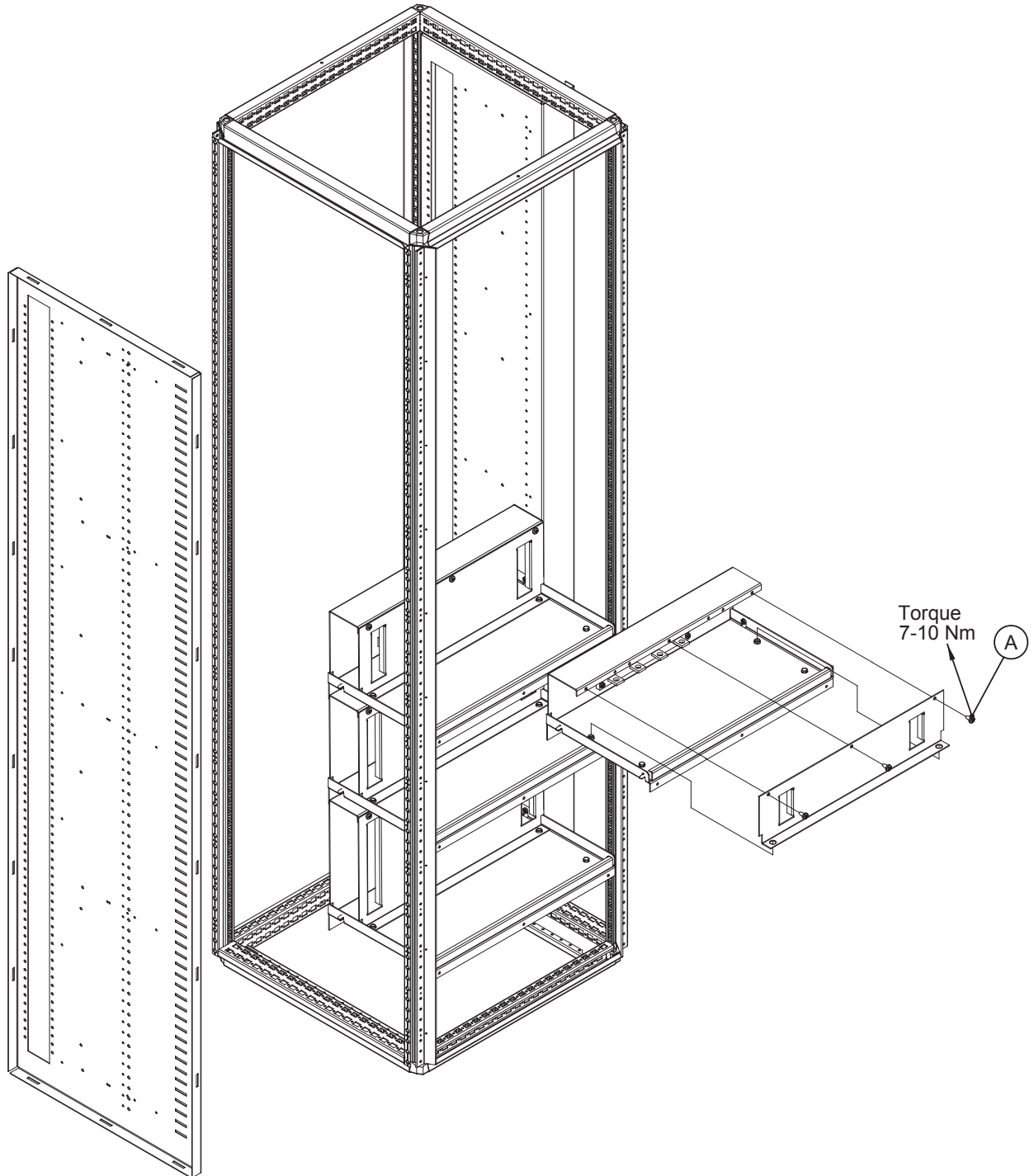
Ref.	Pic.	
A	M5.5x13	4
B	M8x16	4
C	M5.5x19	2
	MSCP1506	2
	MSCP2506	2
	MSCP3006	4
D	MSCP	1
	MSCP1506	1
	MSCP2506	1
	MSCP3006	2






# MSCM MOUNTING PLATE FOR COMPARTMENT

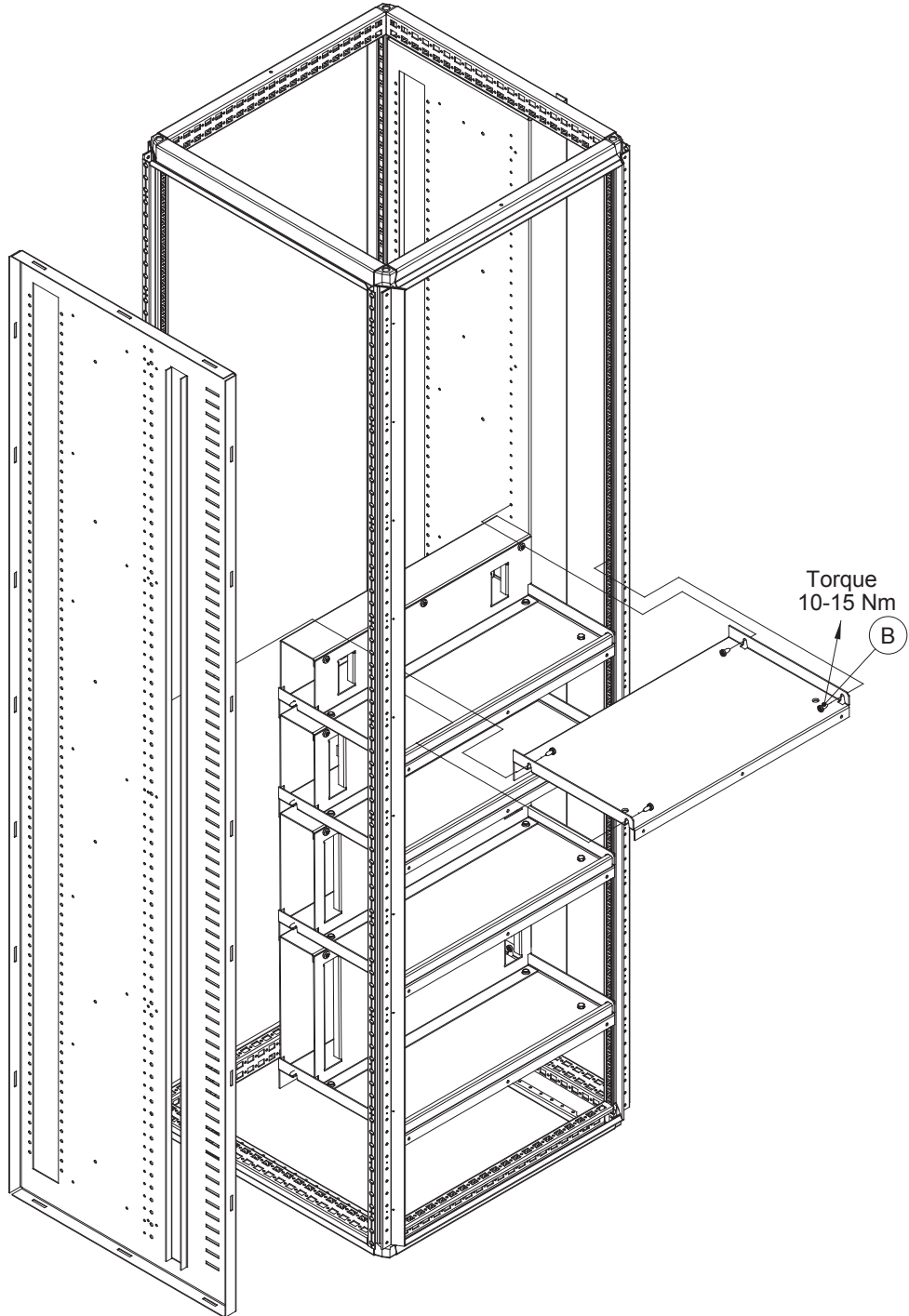
Ref.	Pic.	Qty.
A	 M5.5x13	3





# MSCH TOP COVER PLUG-IN SECTION

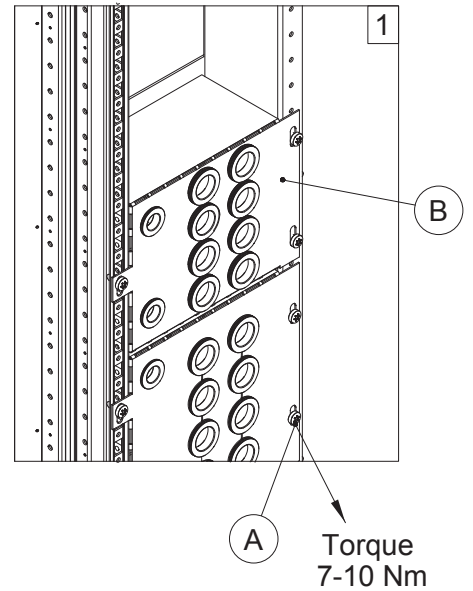
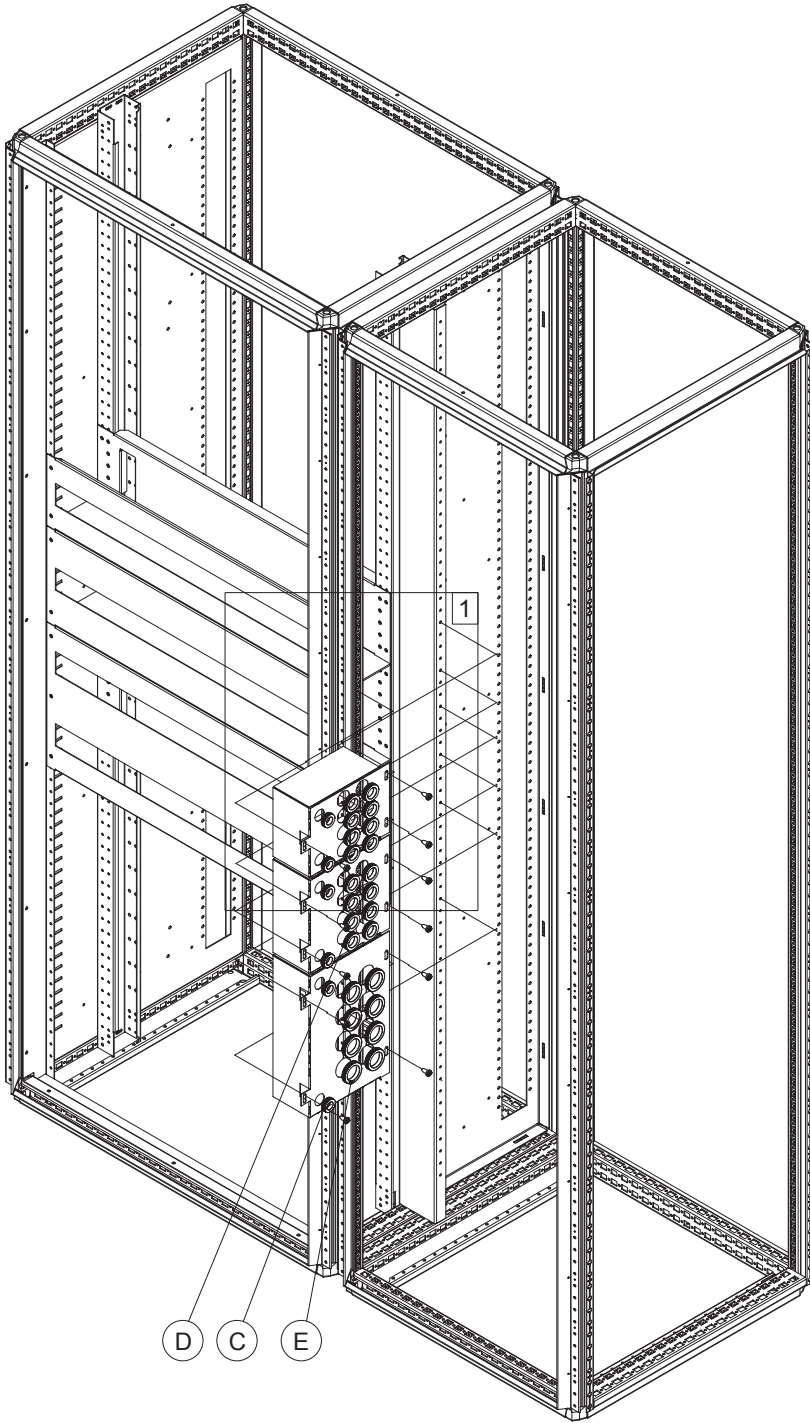
Ref.	Pic.	Qty.
A	 M5.5x13	4





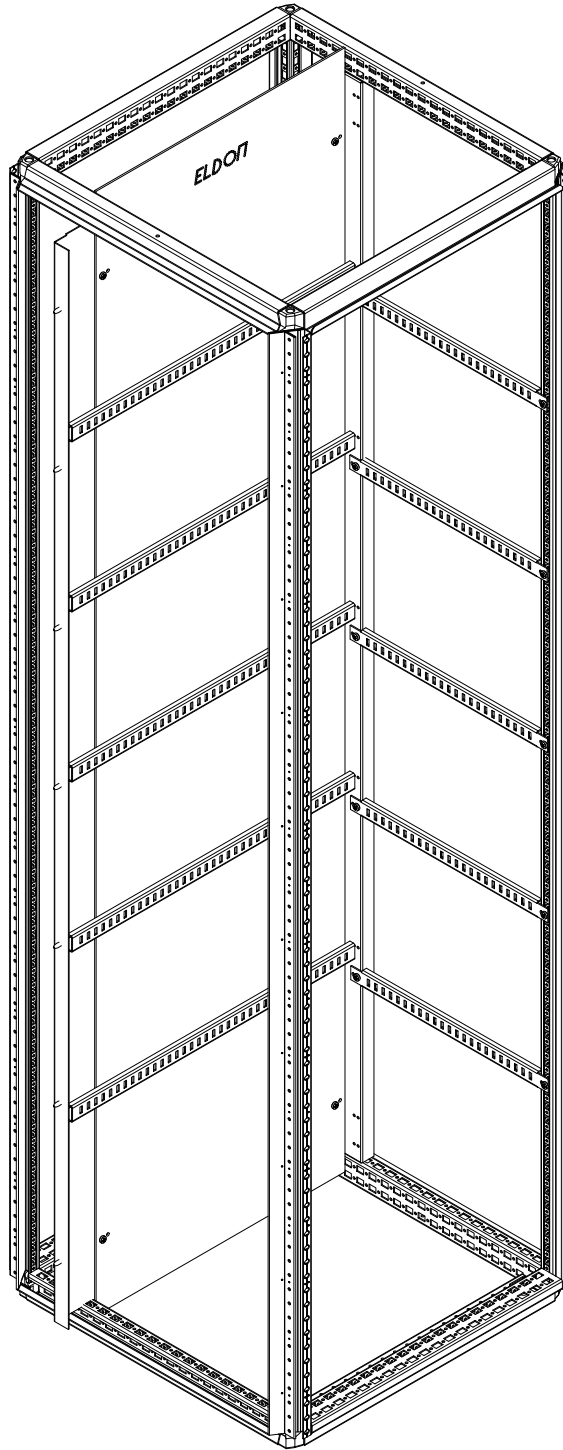
# MSCE CABLE BOX

Ref.	Pic.	Qty.
A	M5.5x13 MSCE150 MSCE200 MSCE250 MSCE300	3
		4
		4
		4
B		1
C	10-14H	2
D	14-20H MSCE150 MSCE200 MSCE250 MSCE300	8
		8
		-
		-
E	20-26H MSCE150 MSCE200 MSCE250 MSCE300	-
		-
		8
		8



---

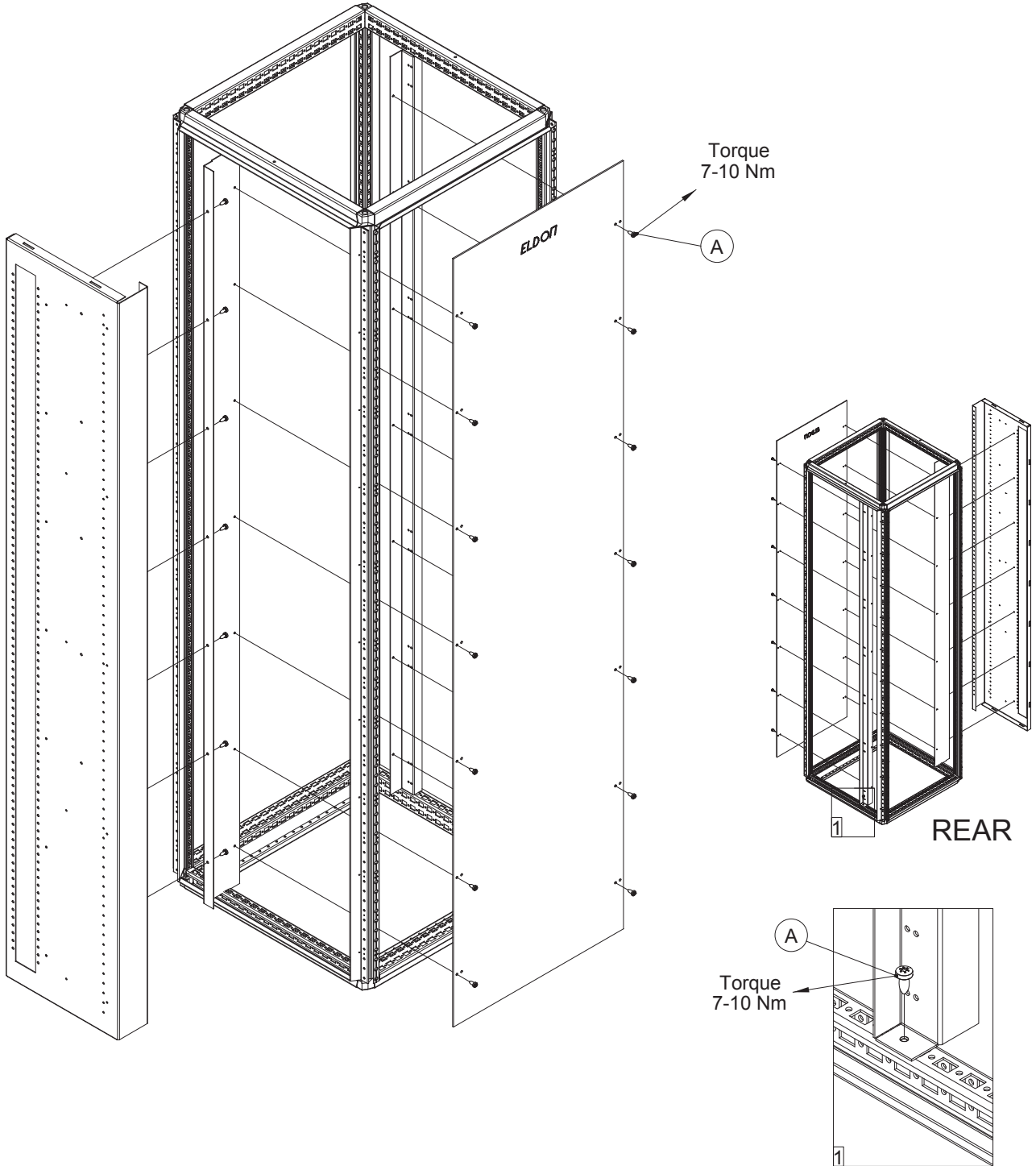
## CABLE SECTION





# MSPM SEPARATION PLATE CABLE SECTION

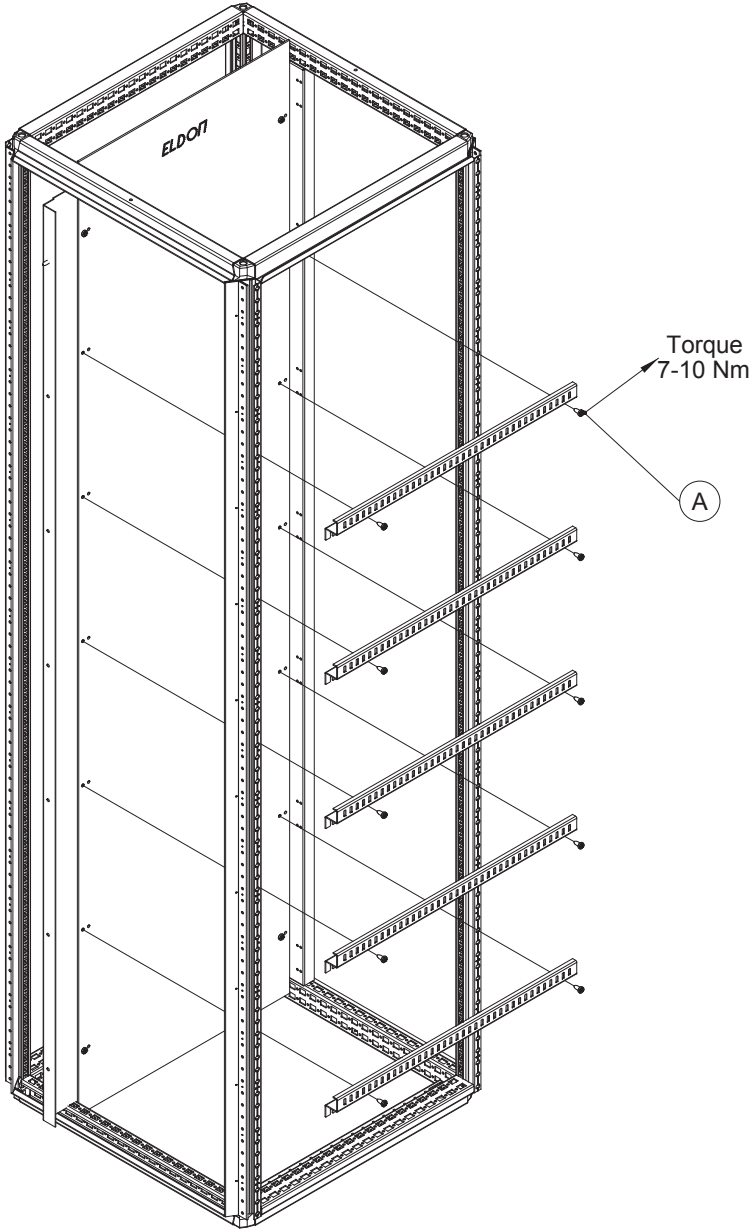
Ref.	Pic.	Qty.
A		21





# MSCFR REAR CABLE PROFILE

Ref.	Pic.	Qty.
A	M5.5x13	10

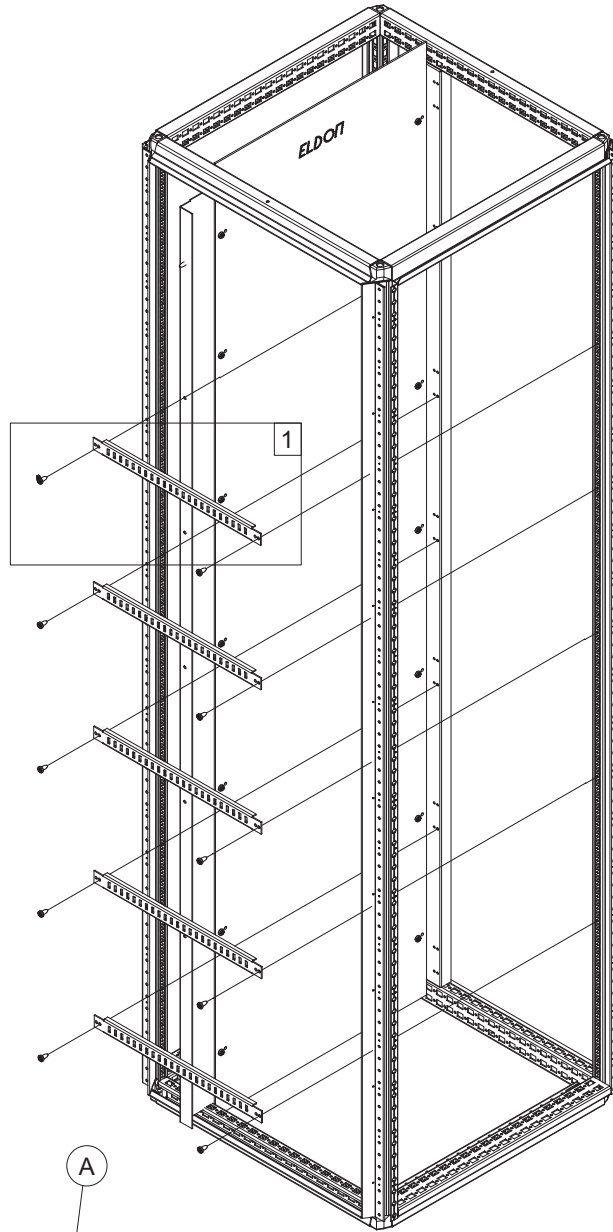




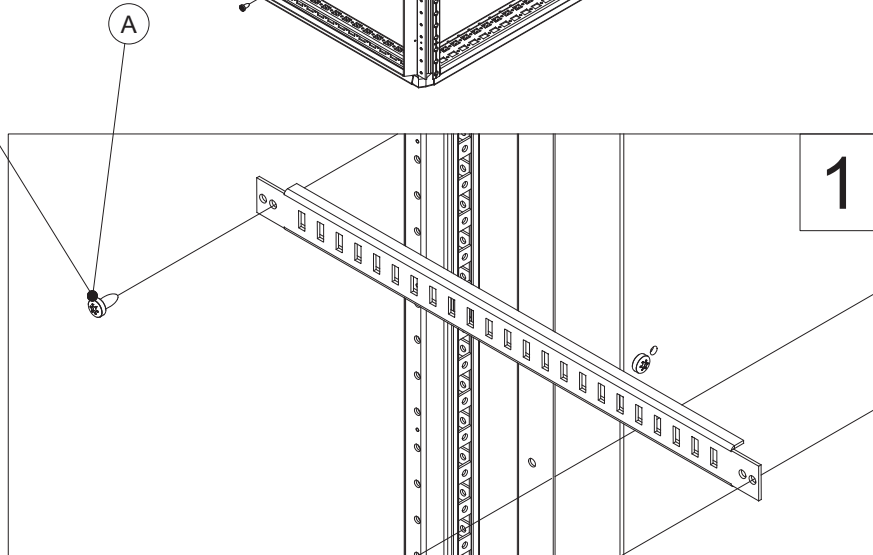


# MSCFS SIDE CABLE PROFILE

Ref.	Pic.	Qty.
A	M5.5x13	10

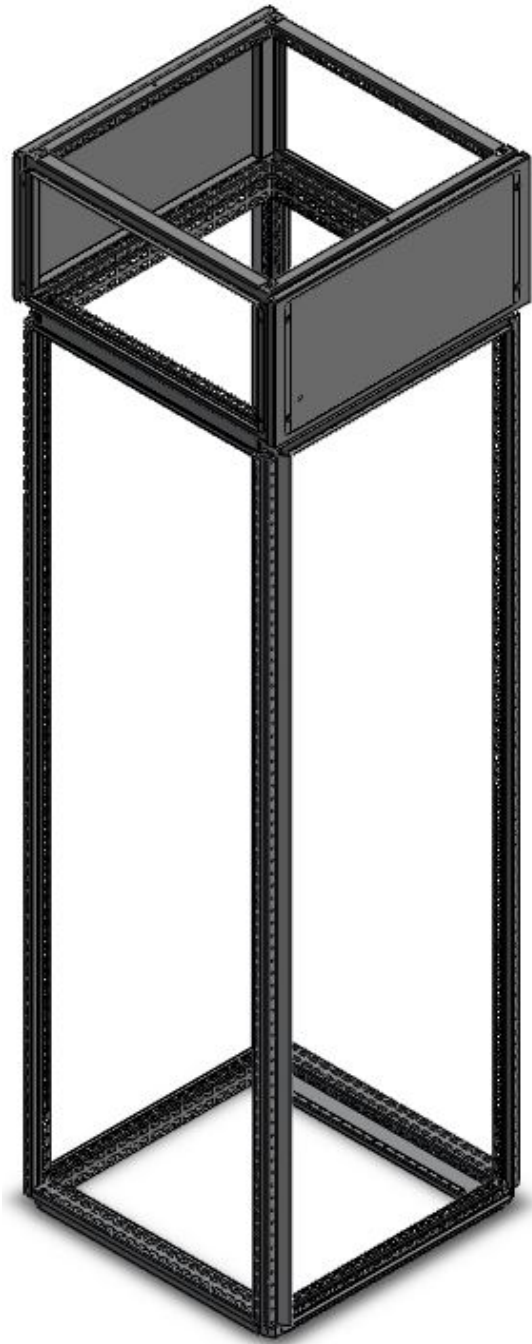


Torque  
10-15 Nm



---

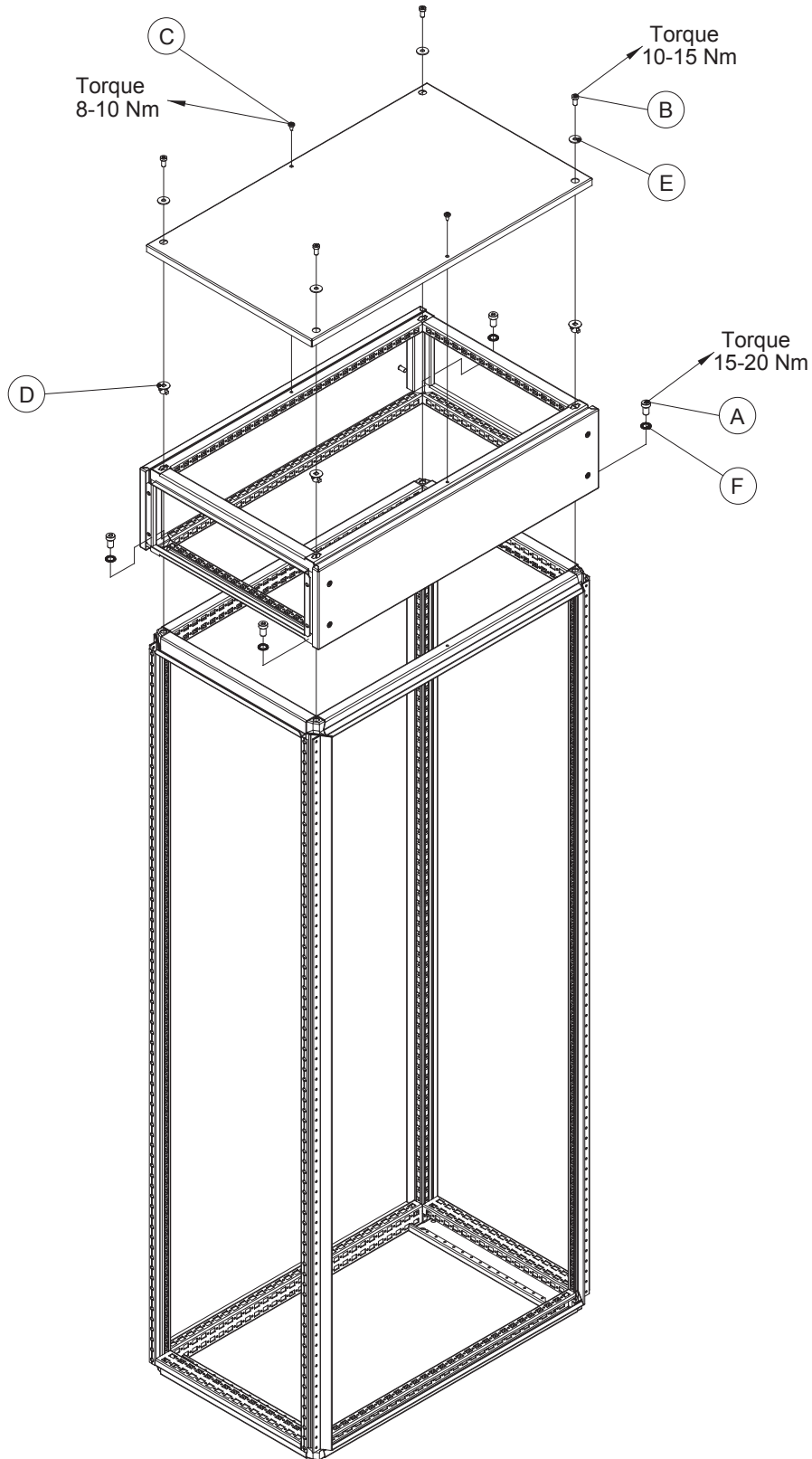
## TOP/BOTTOM FRAMES








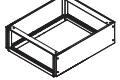
# MCU TOP FRAME

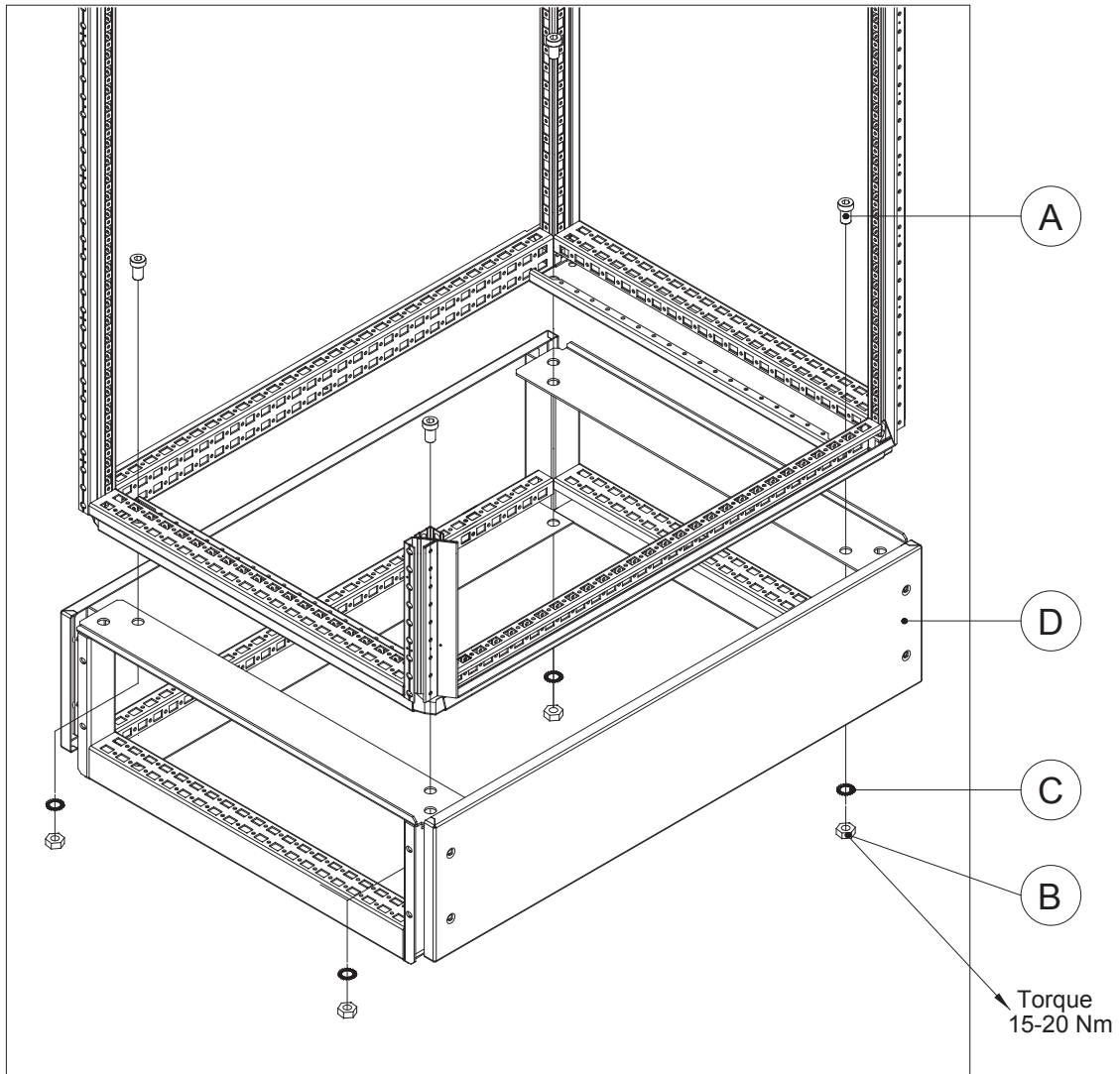
Ref.	Pic.	Qty.
A	M12x20	4
B	M8x16	4
C	M6x12	2
D	M6	4
E	M8	4
F	M12	4





# PCU BOTTOM FRAME

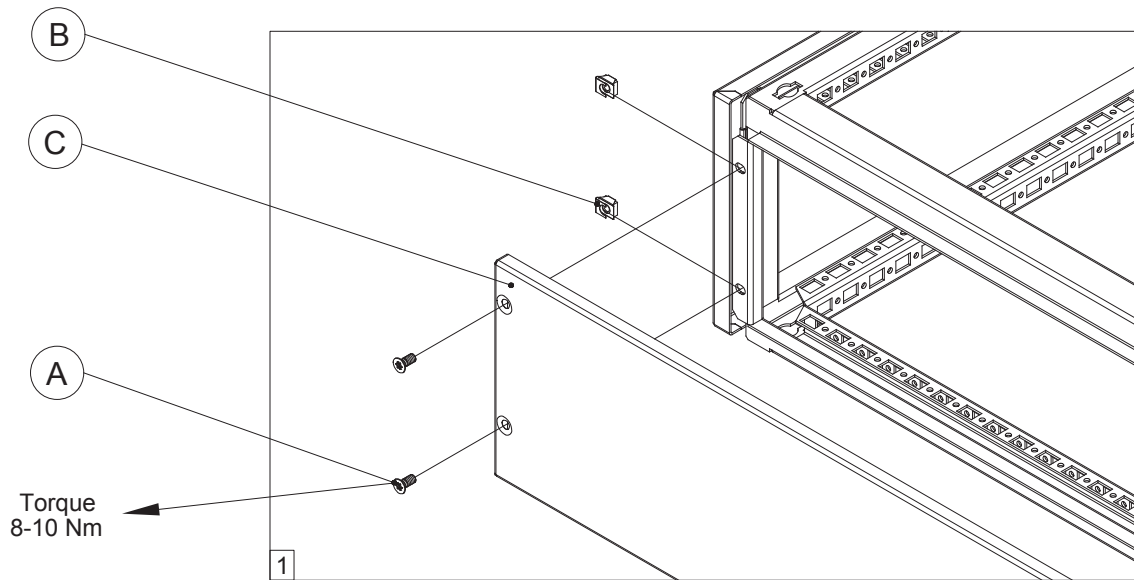
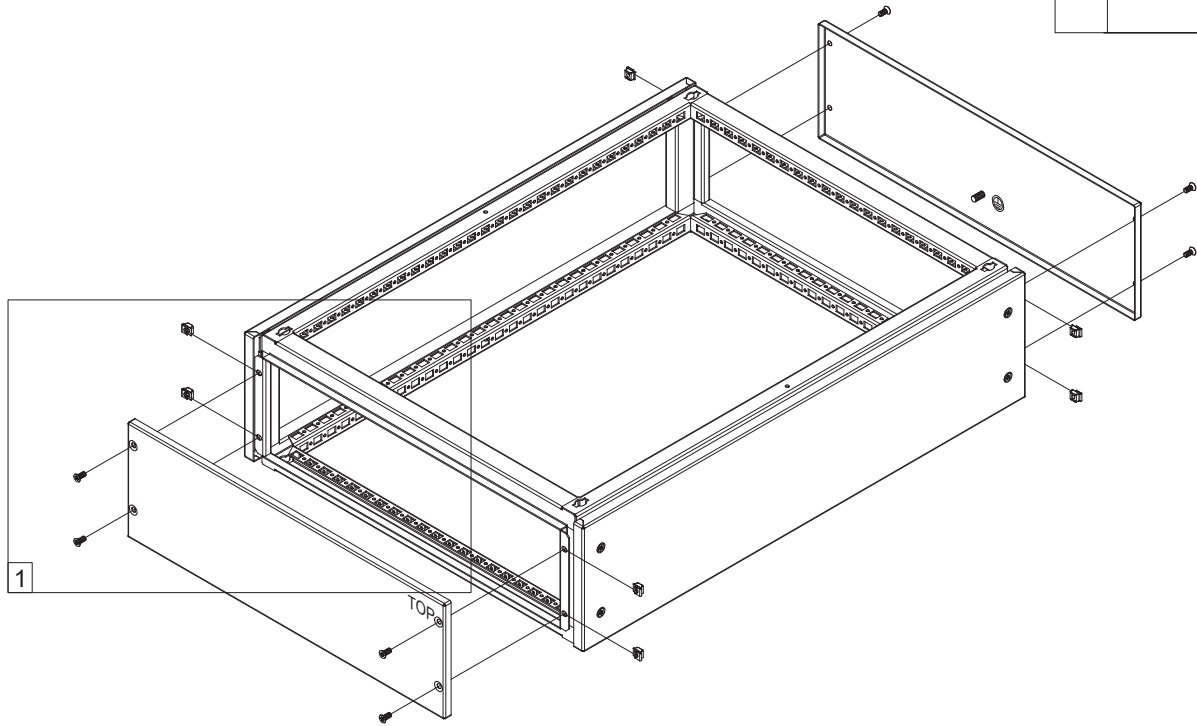
Ref.	Pic.	Qty.
A	 M12x20	4
B	 M12	4
C	 M12	4
D		1





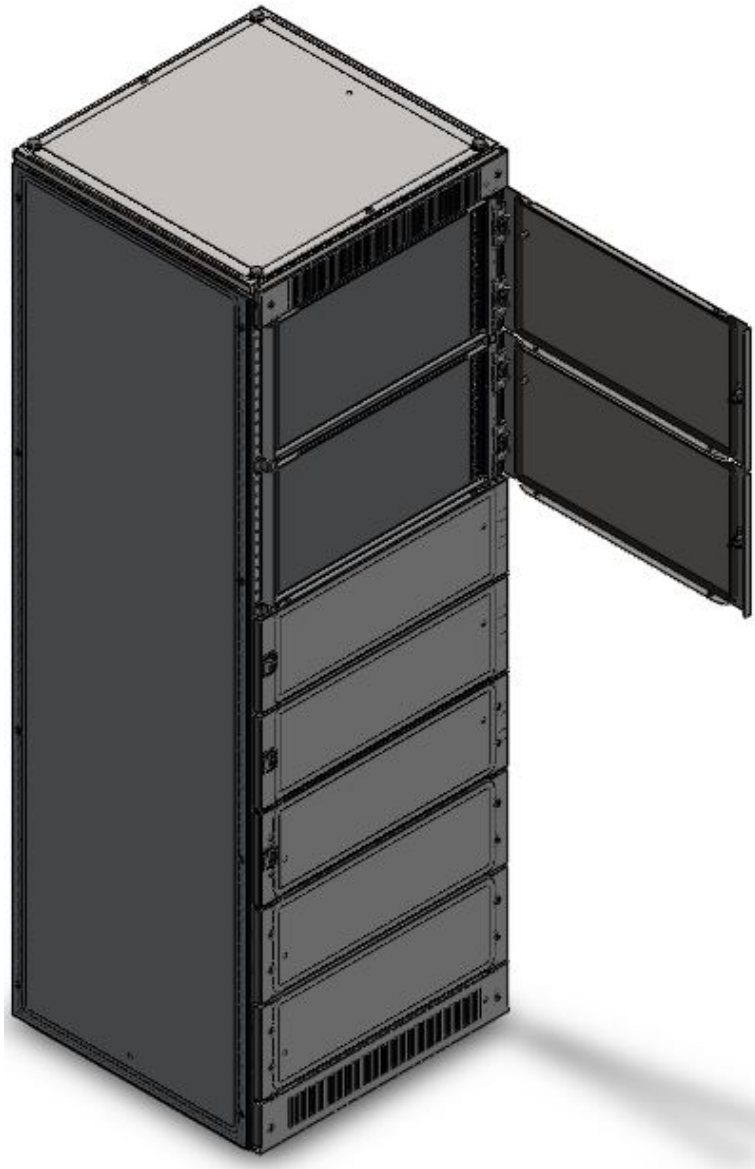
# MCUP/PCUP TOP/BOTTOM FRAME SIDE PANEL

Ref.	Pic.	Qty.
A		8
B		8
C		2



---

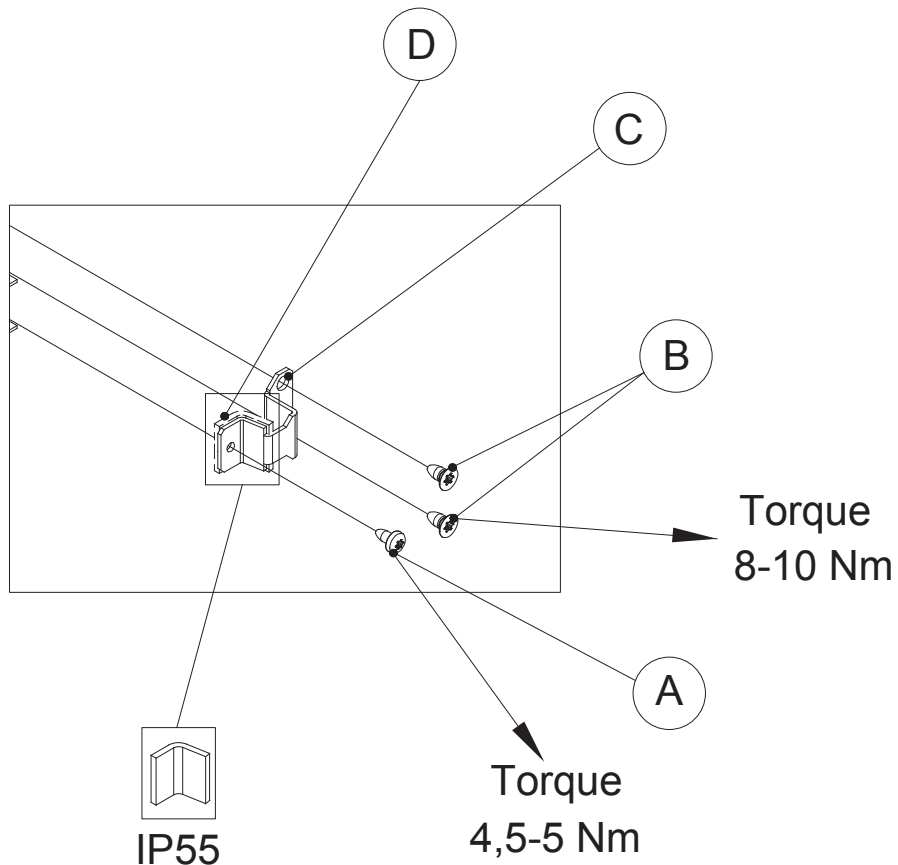
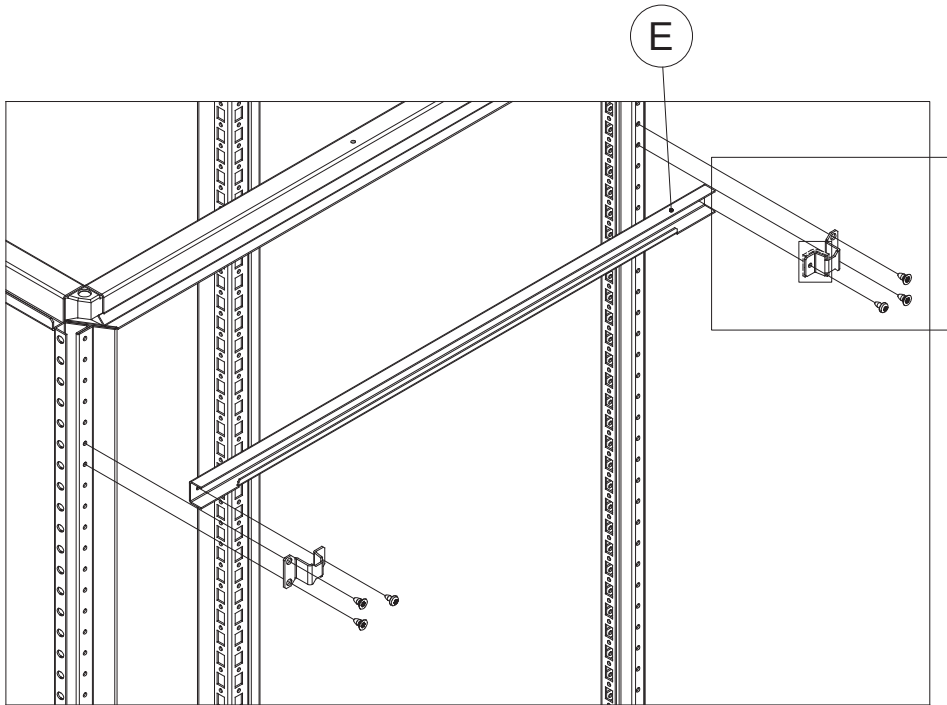
## DOORS, PANELS, SIDE PANELS






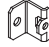
# CDH HORIZONTAL DOOR DIVIDER

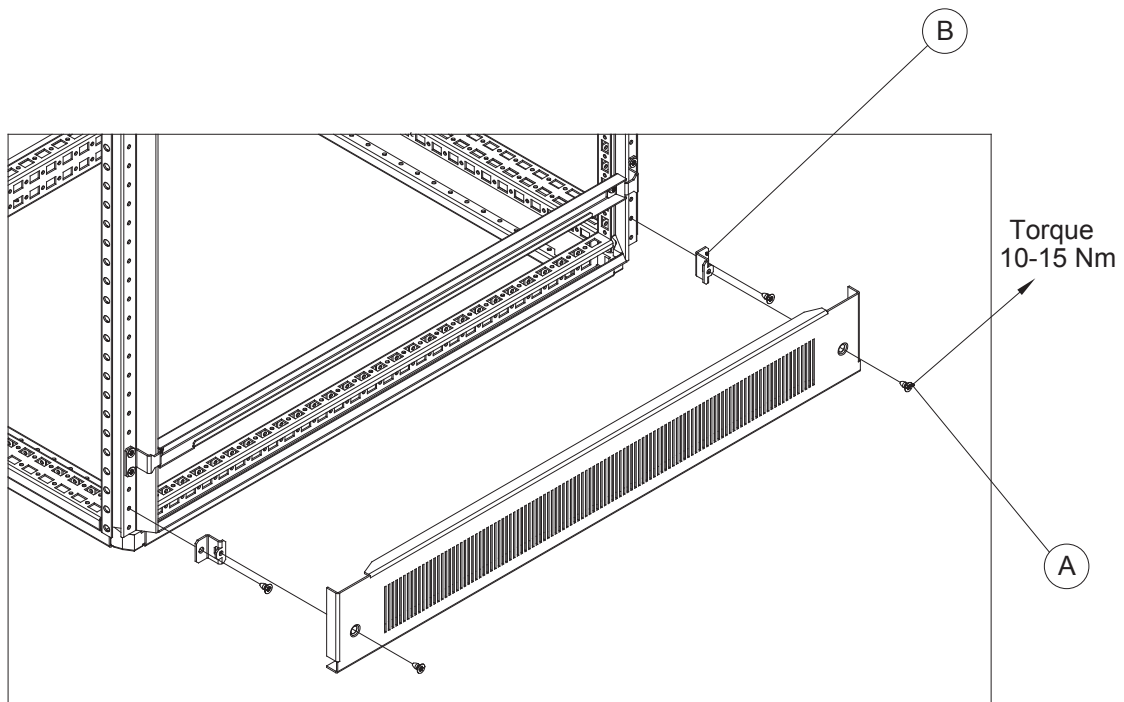
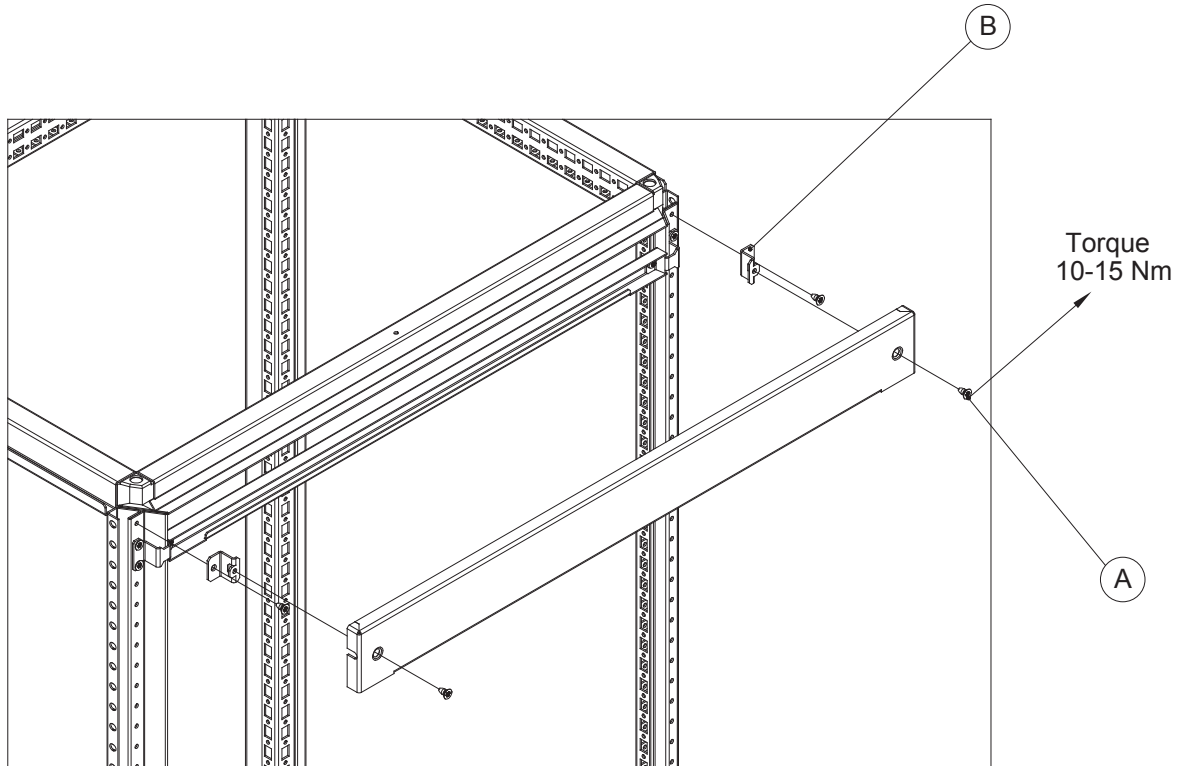
Ref.	Pic.	Qty.
A	St5x10	4
B	M6x12	8
C		4
D		4
E		2





# DPC/DPCV TOP/BOTTOM PANELS




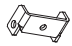
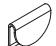
Ref.	Pic.	Qty.
A	 M6x12	8
B		4

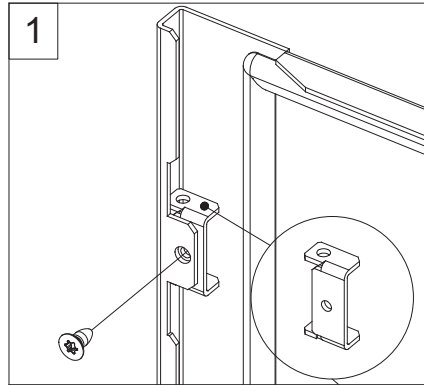






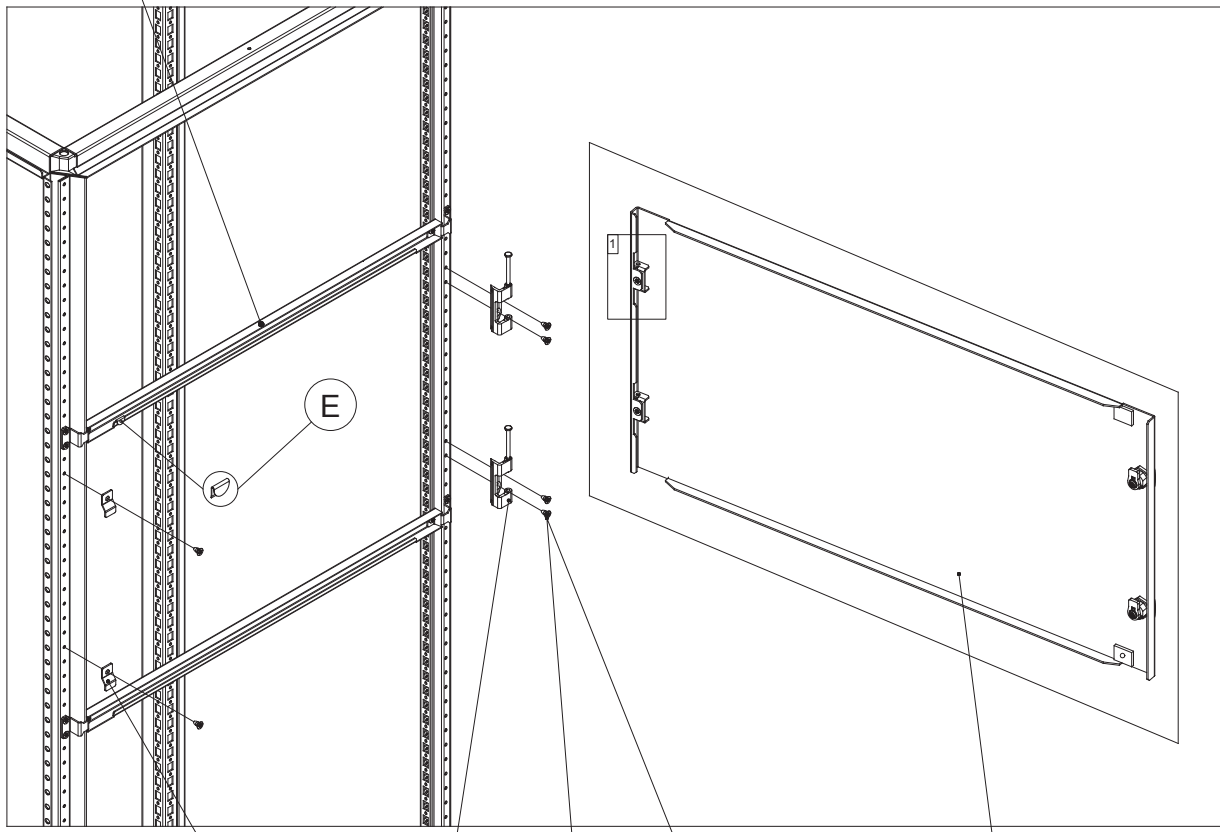
# DP PARTIAL DOORS

Ref.	Pic.	
A	 M6x12	8
B		2
C		2
D		2
E		8



CDH

D



C

B

A

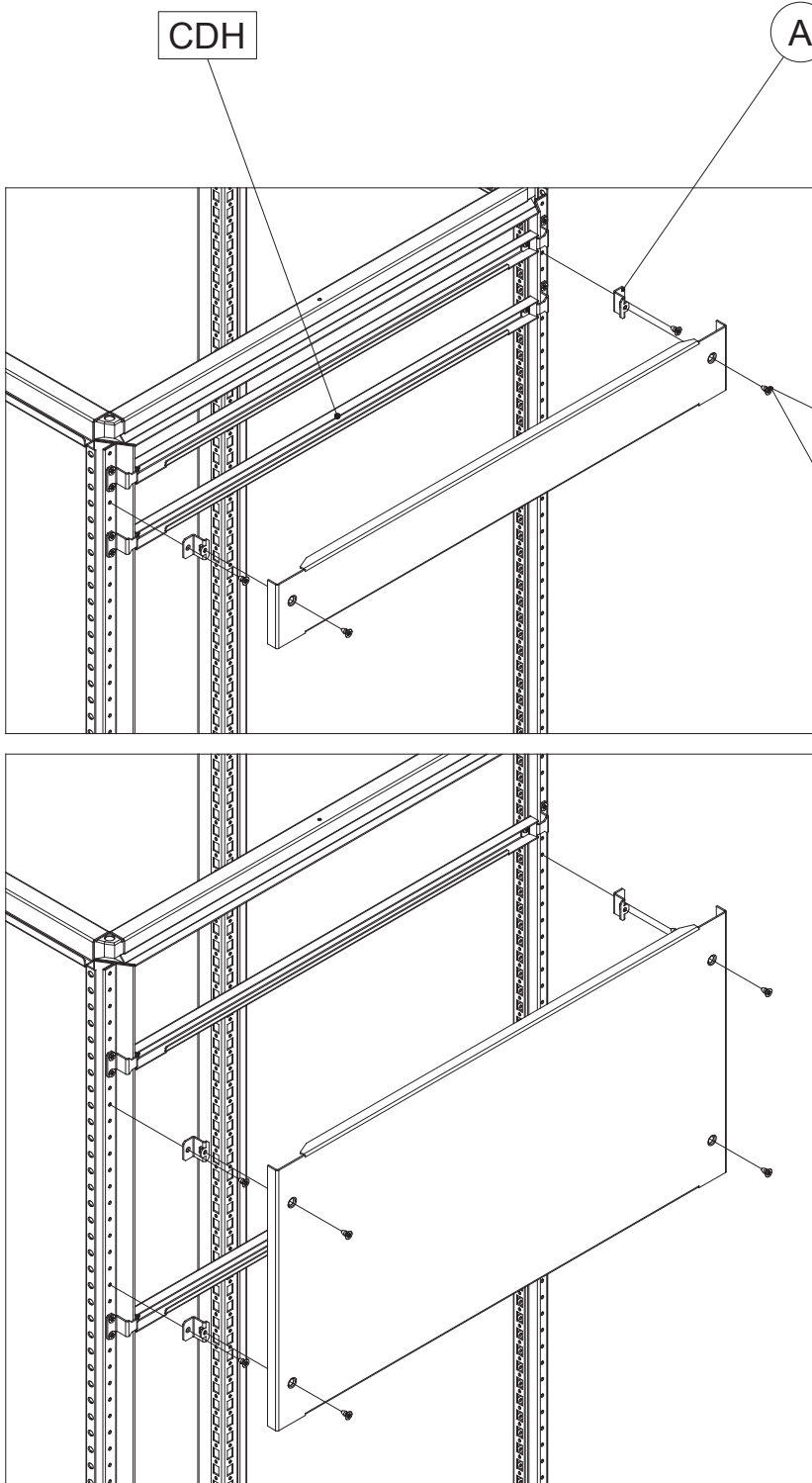
Torque  
8-10 Nm

DPxxxxxE

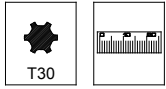


# DPP PARTIAL PANELS

Ref.	Pic.	Qty.
A	M6x12	
	DPP010xxR5	4
	DPP015xxR5	4
	DPP020xxR5	8
	DPP025xxR5	8
	DPP030xxR5	8
	DPP040xxR5	8
B		
	DPP010xxR5	2
	DPP015xxR5	2
	DPP020xxR5	4
	DPP025xxR5	4
	DPP030xxR5	4
	DPP040xxR5	4

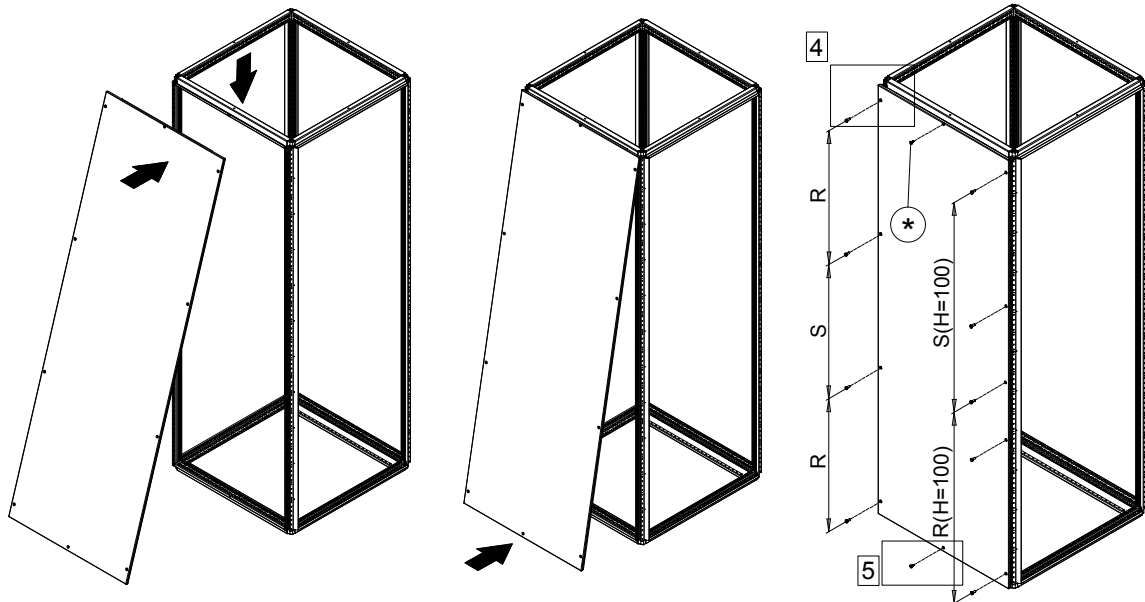
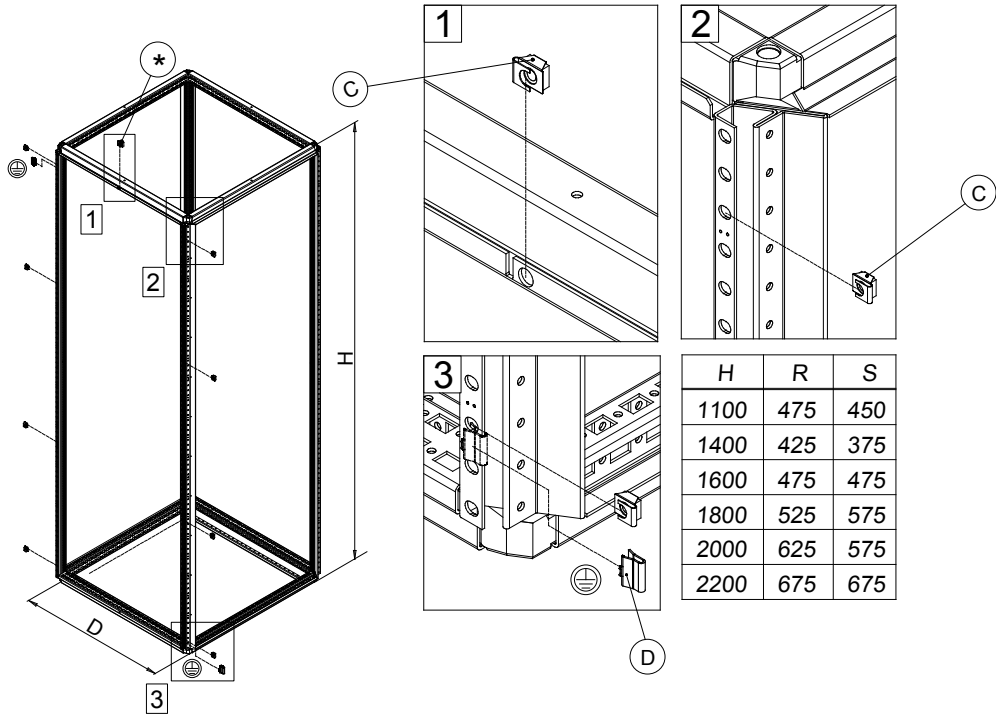


Torque  
8-10 Nm

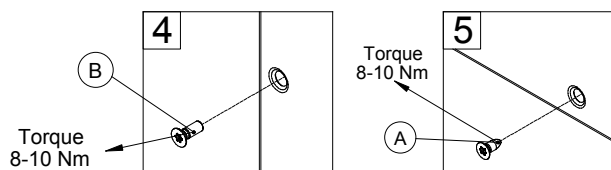


# SPM SIDE PANEL

Ref.	Pic.	
A		0/1
B		6/8/9
C		6/8/9
D		2



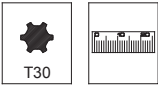
\* - Used only on enclosures 800mm deep and above.




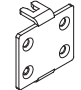

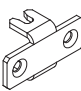
---

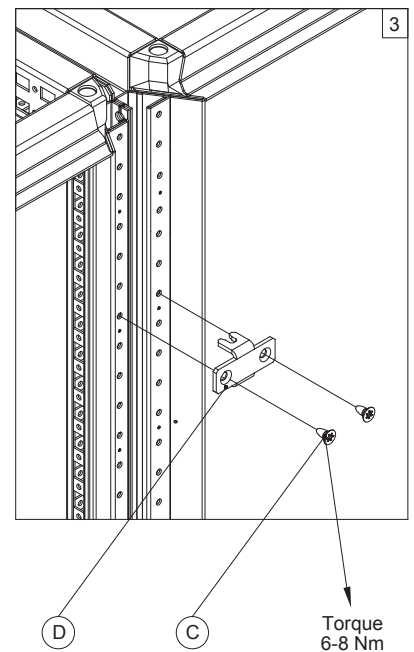
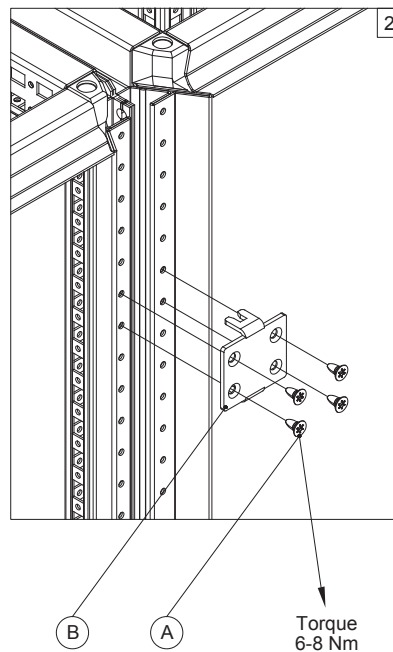
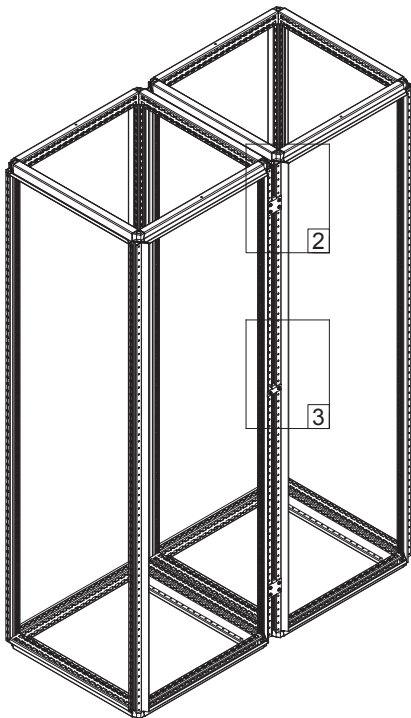
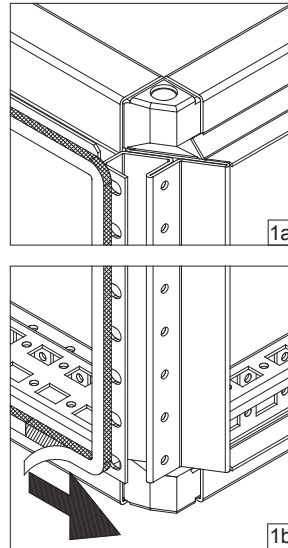
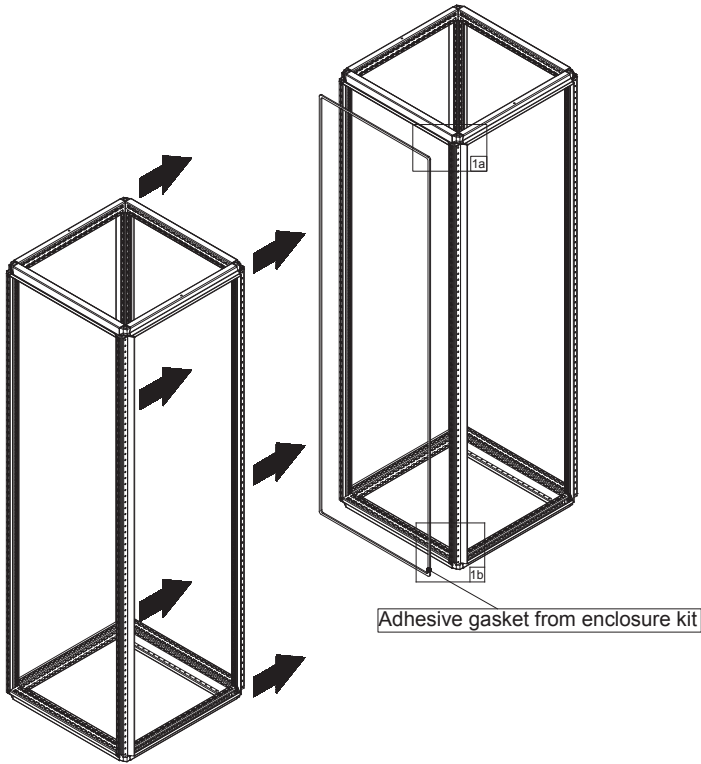
## ACCESORIES





# CCE/CCEH EXTERNAL BAYING KITS

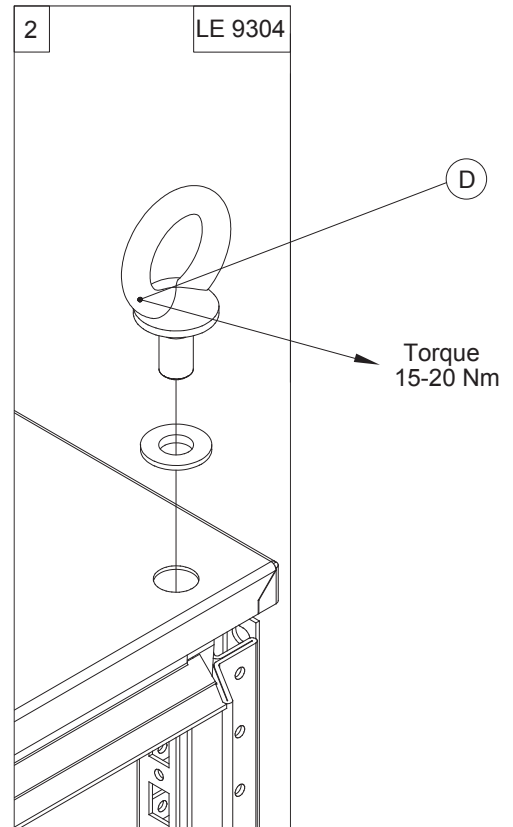
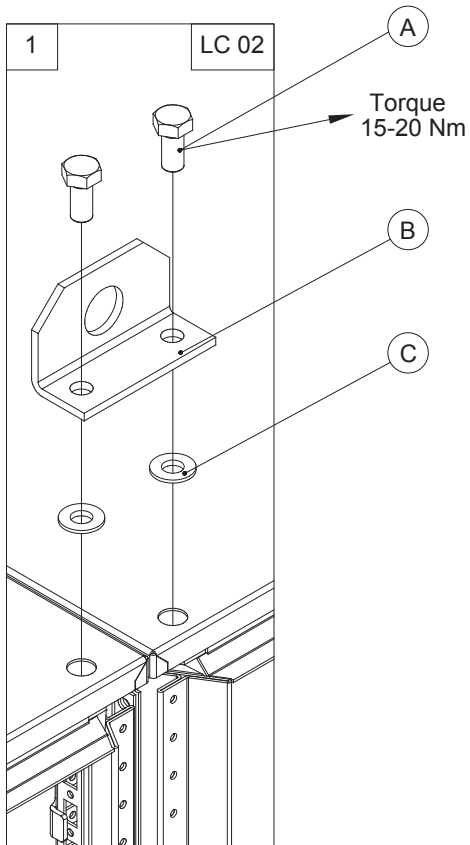
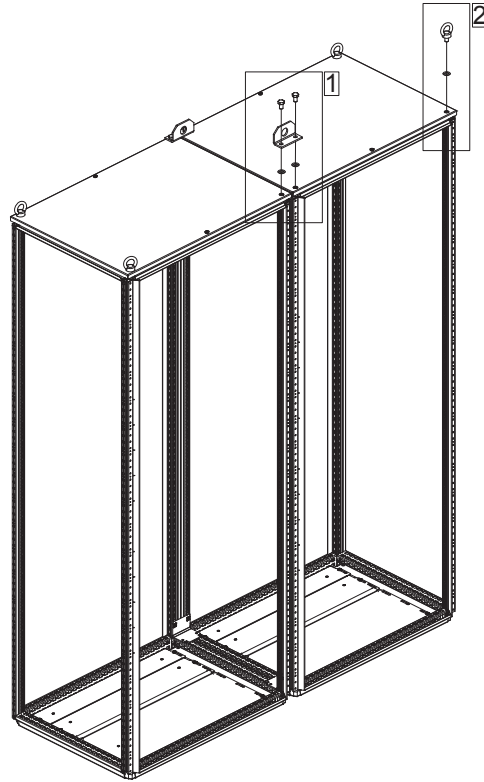
Ref.	Pic.	Qty.
CCE		
A		24
B		6
CCEH		
C		12
D		6

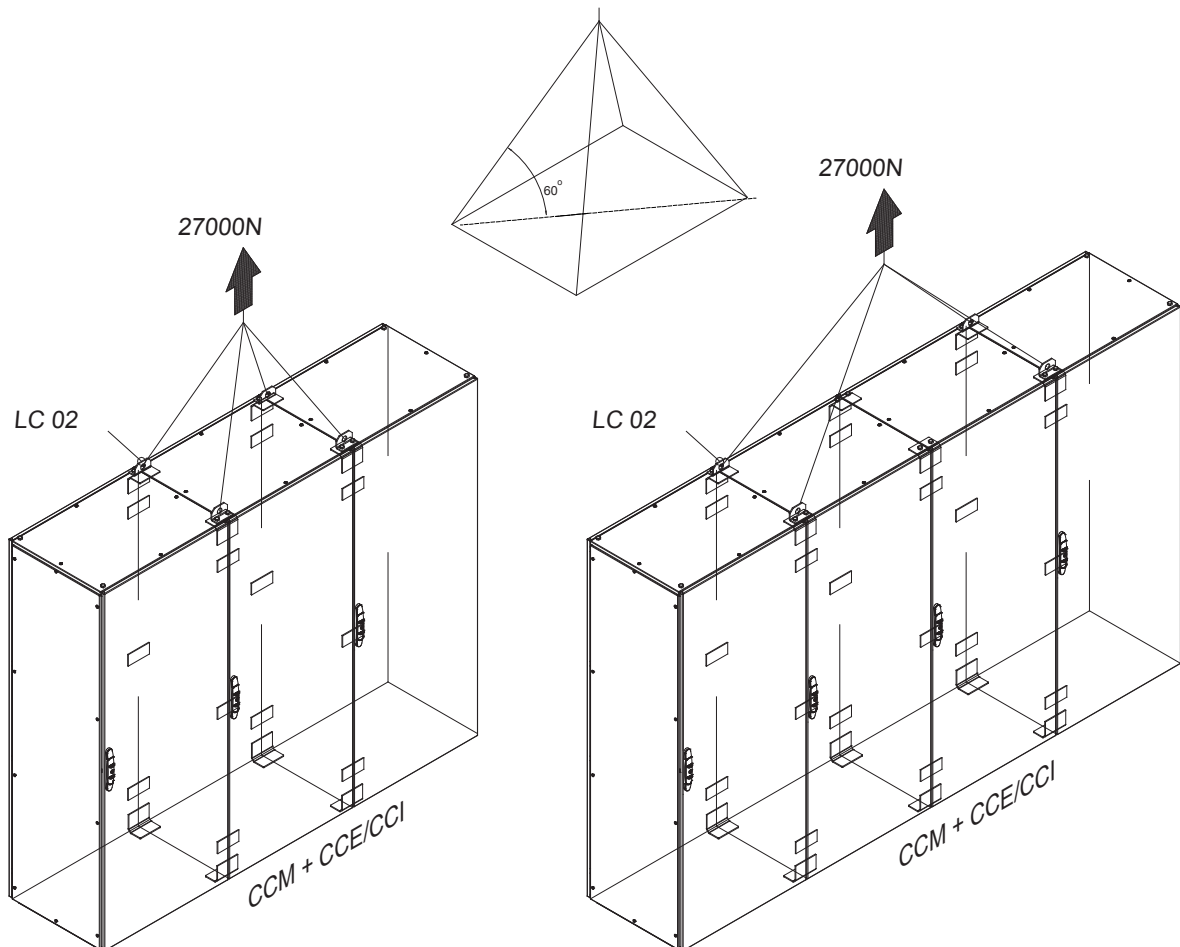
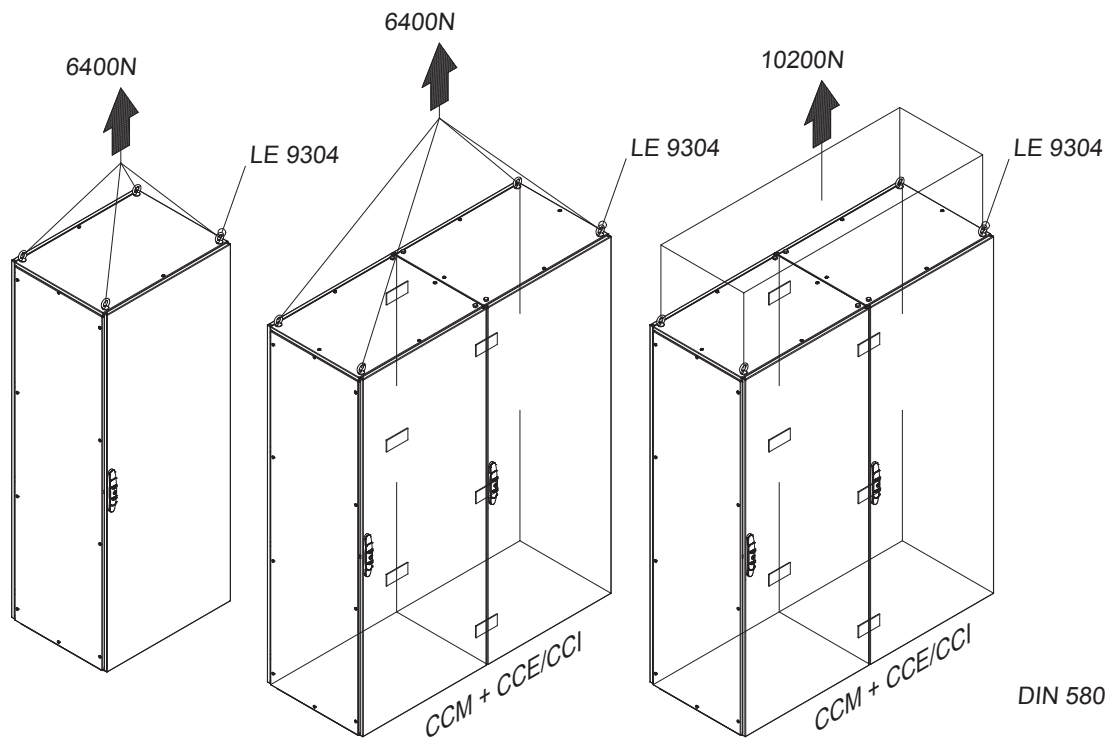




# LC02/LE9304 LIFTING DEVICE

Ref.	Pic.	Qty.
A		4
B		2
C		8
D		4

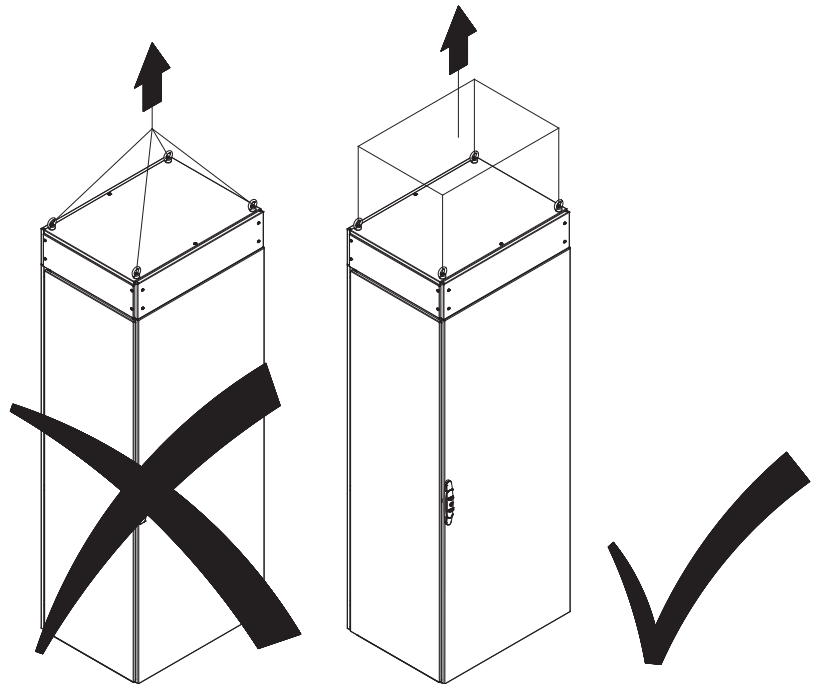
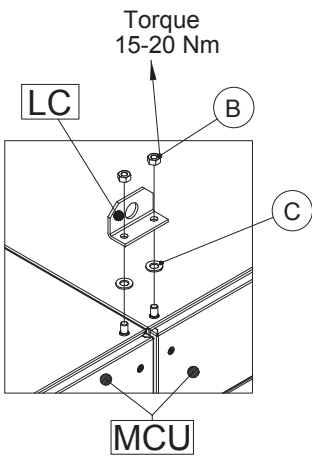
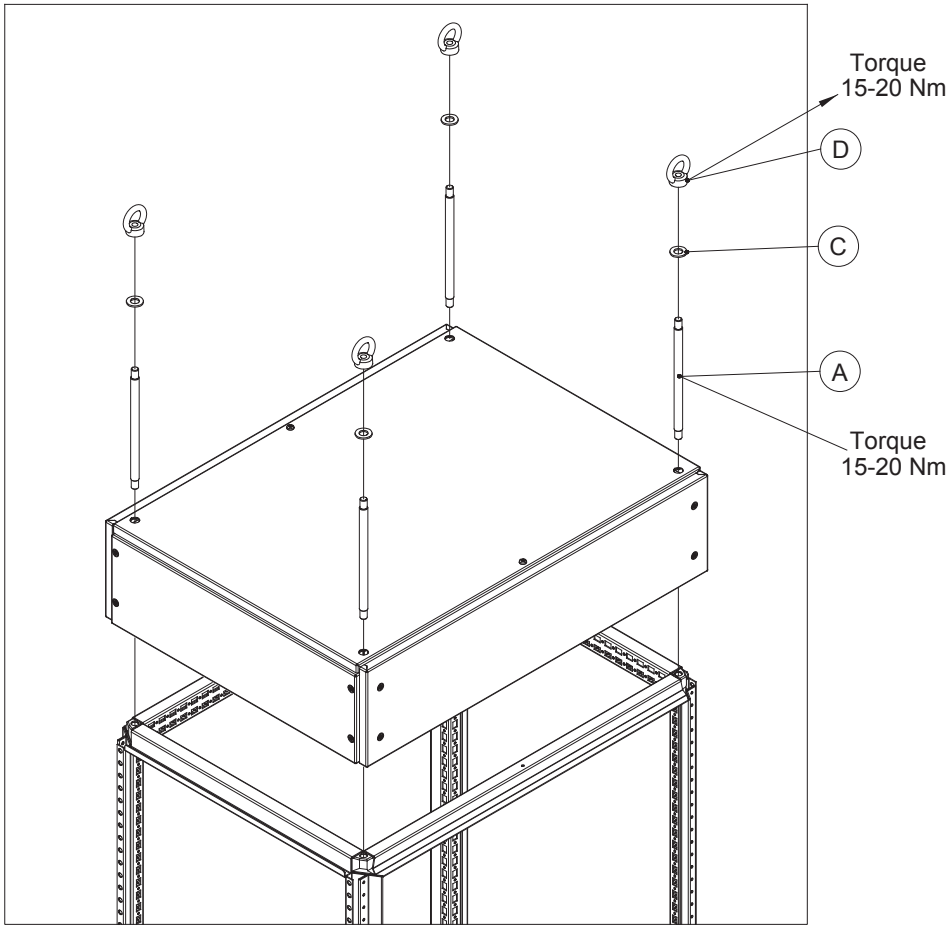






# MCUK

Ref.	Pic.	Qty.
A		4
B	M12	4
C	M12	4
D	M12	4

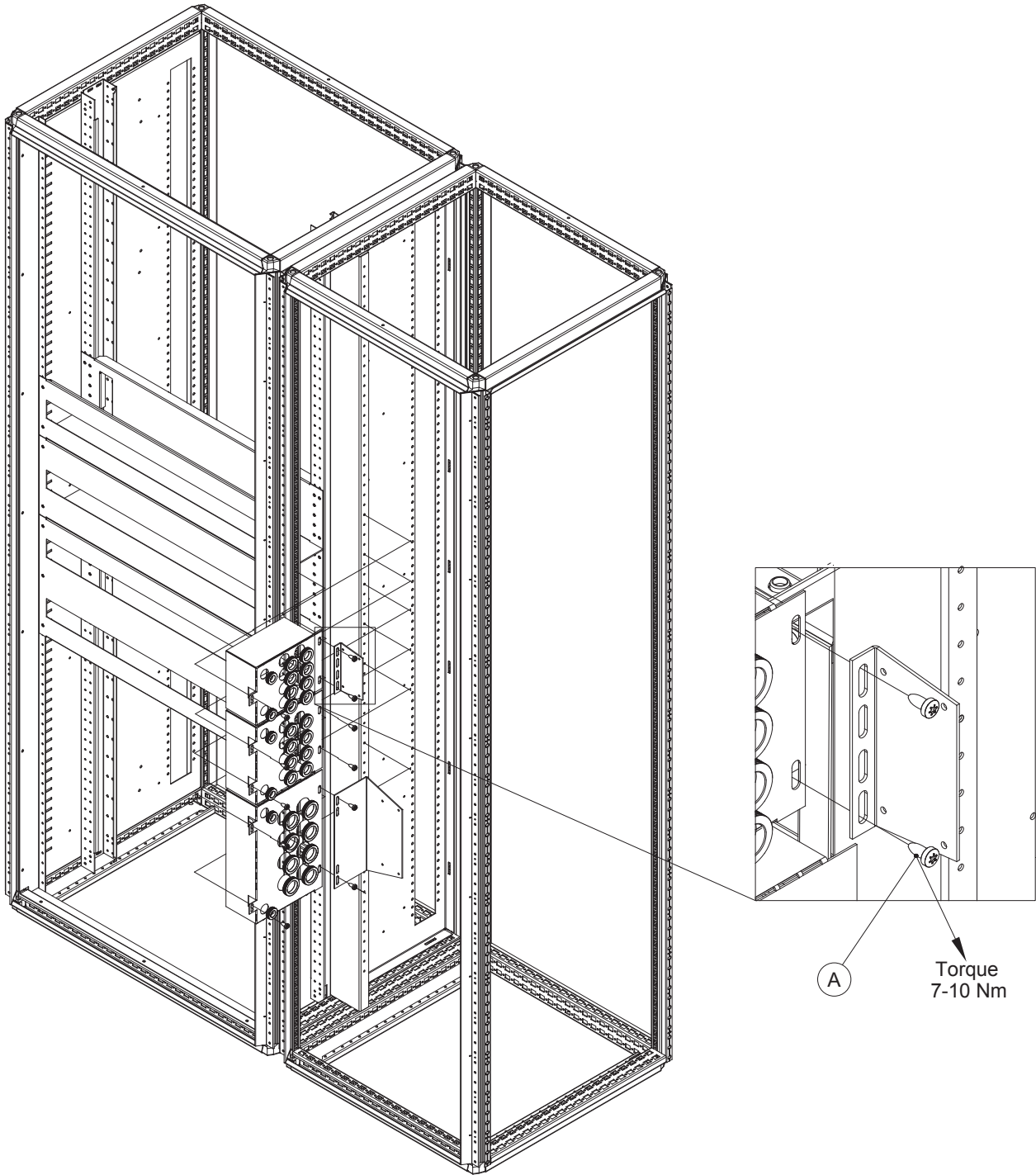






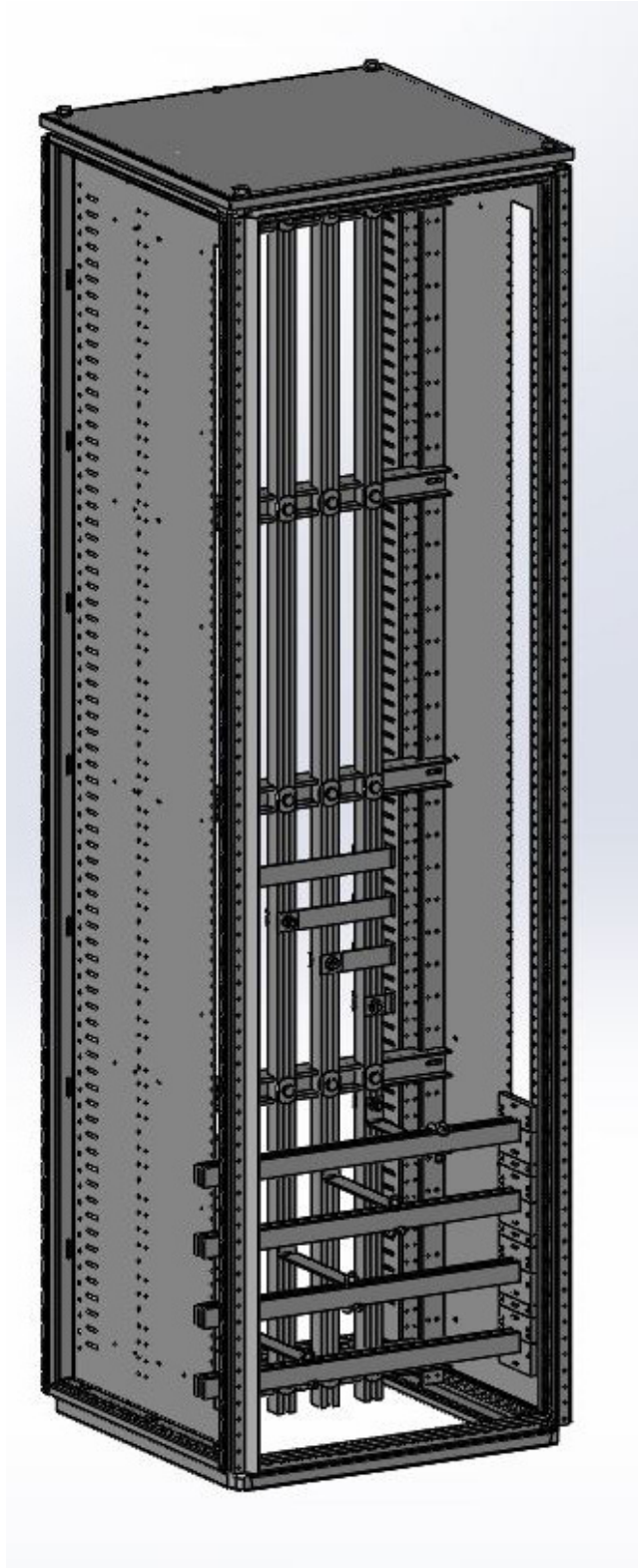
# MSCEP BRACKET MEASSURING TRAF0

Ref.	Pic.	Qty.
A		2




---

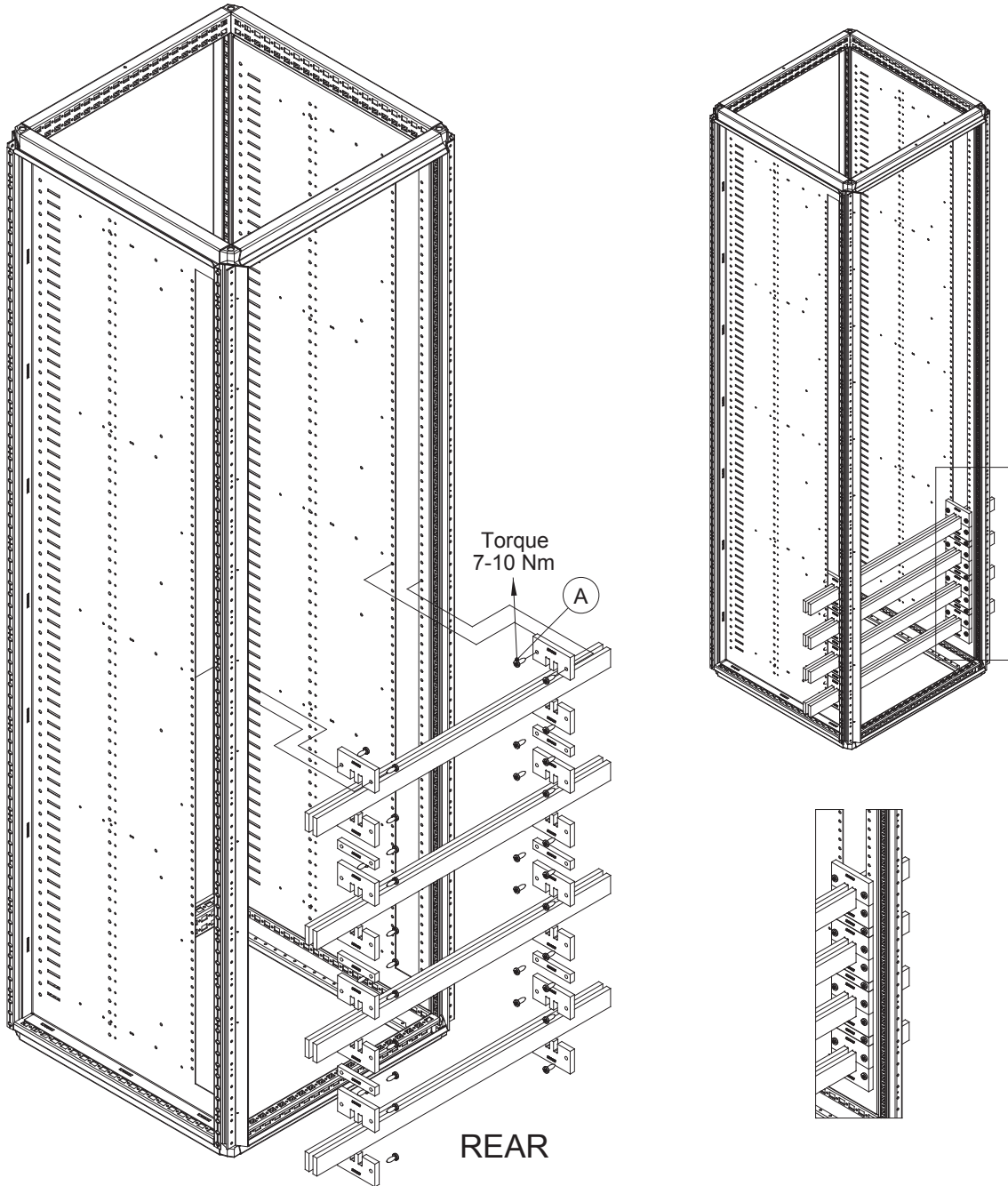
## BUSBAR-SYSTEM





# MSHS BUSBAR SUPPORT

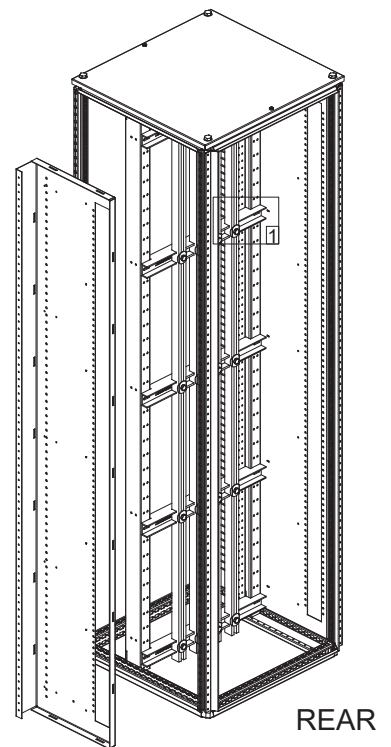
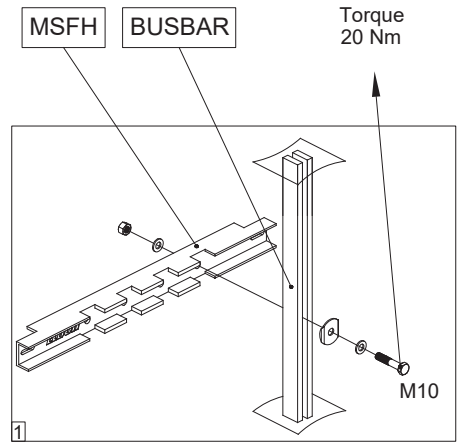
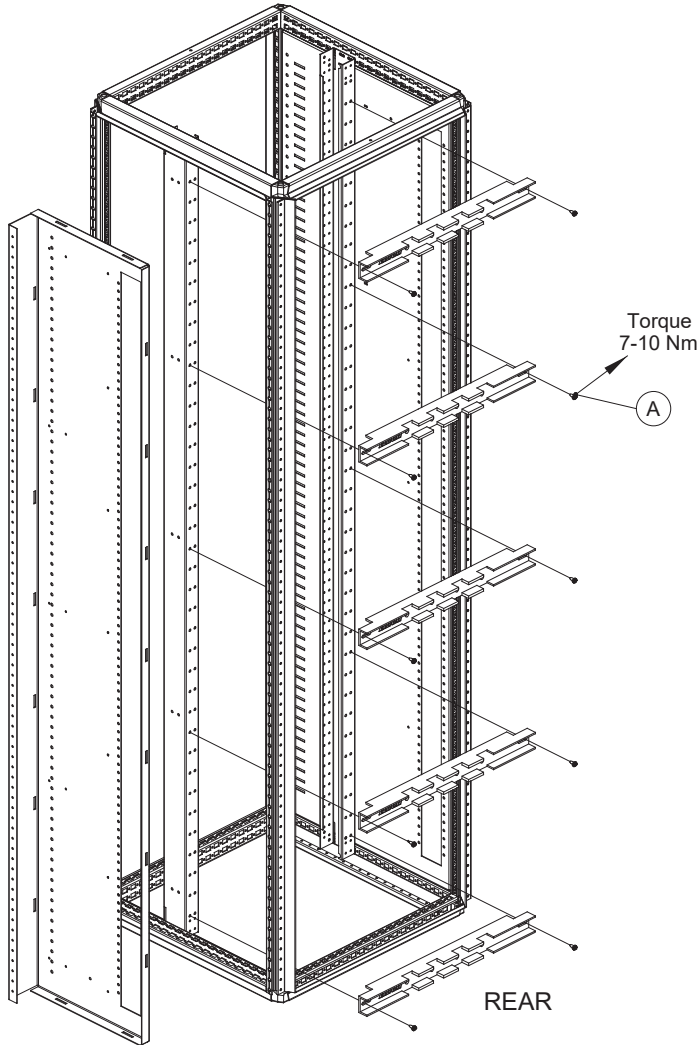
Ref.	Pic.	Qty.
A	 M6.3x19	22






# MSFH REAR BUSBAR SUPPORT

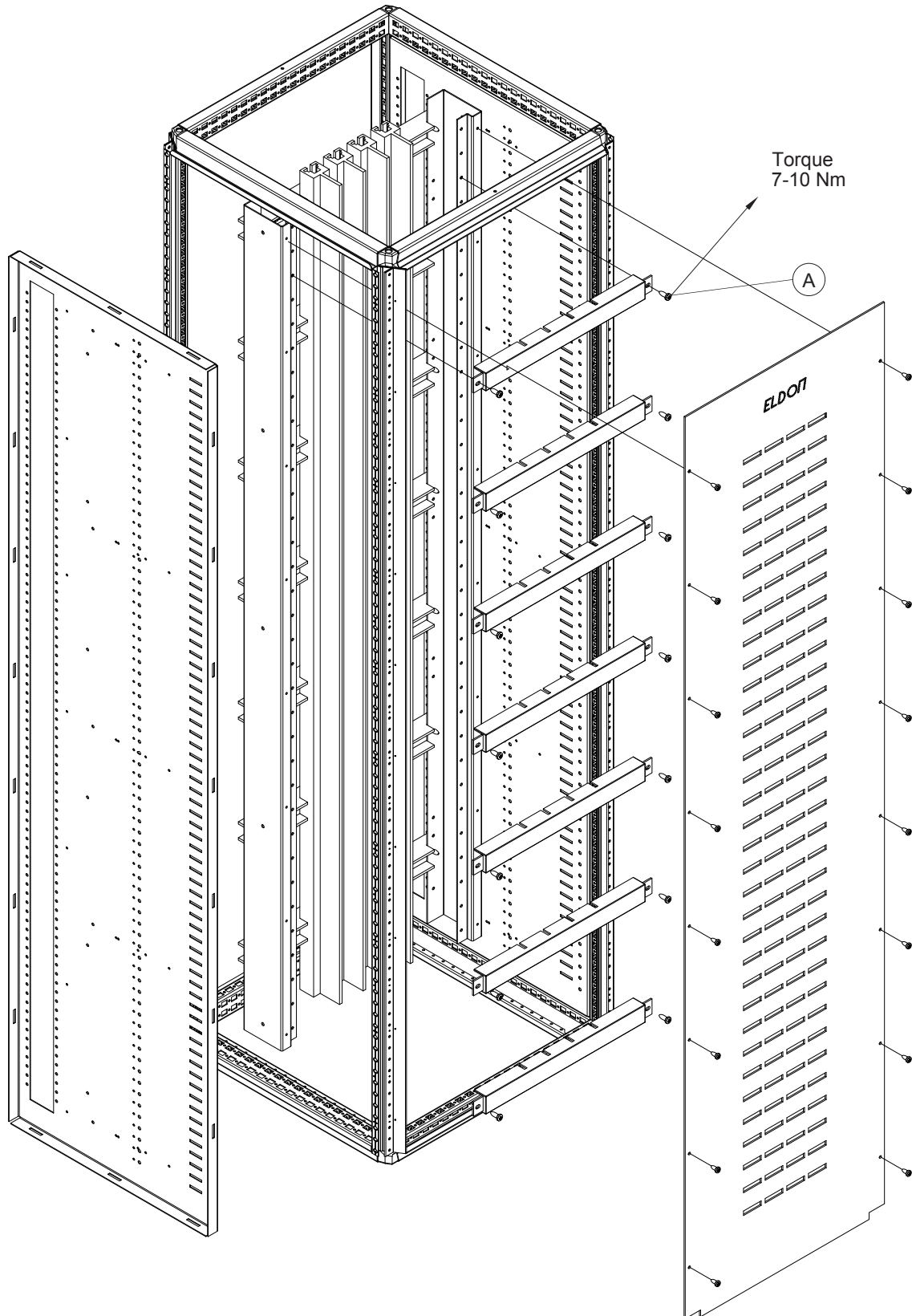
Ref.	Pic.	Qty.
A		10





# MSVH-F BUSBAR SUPPORT FRONT

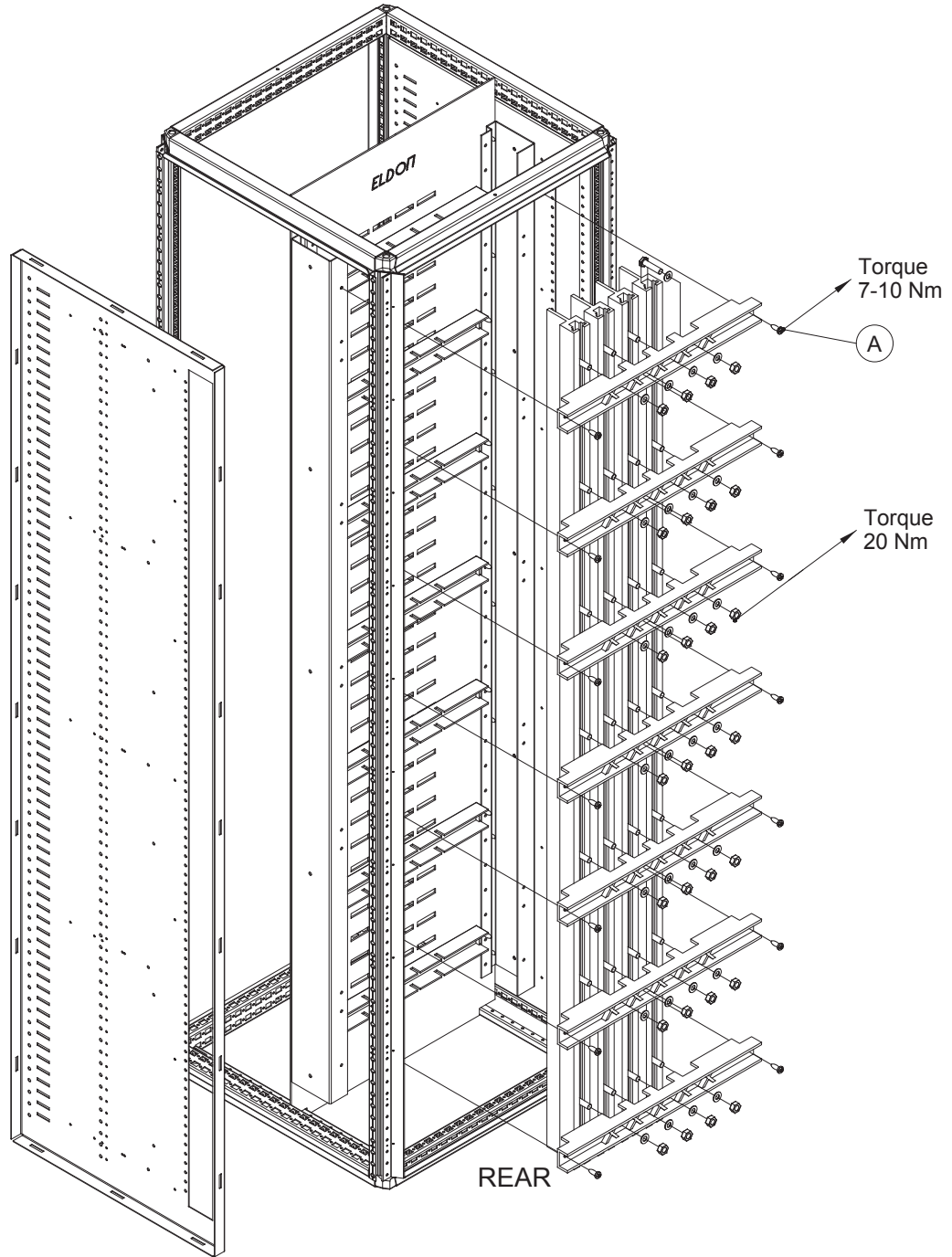
Ref.	Pic.	Qty.
A	 M6.3x13	
	MSVH1800F	12
	MSVH2000F	14
	MSVH2200F	16





# MSVH BUSBAR SUPPORT PLUGG-IN

Ref.	Pic.	Qty.
A	 M6.3x13	
	MSVH1800	12
	MSVH2000 MSVH2200	14 16

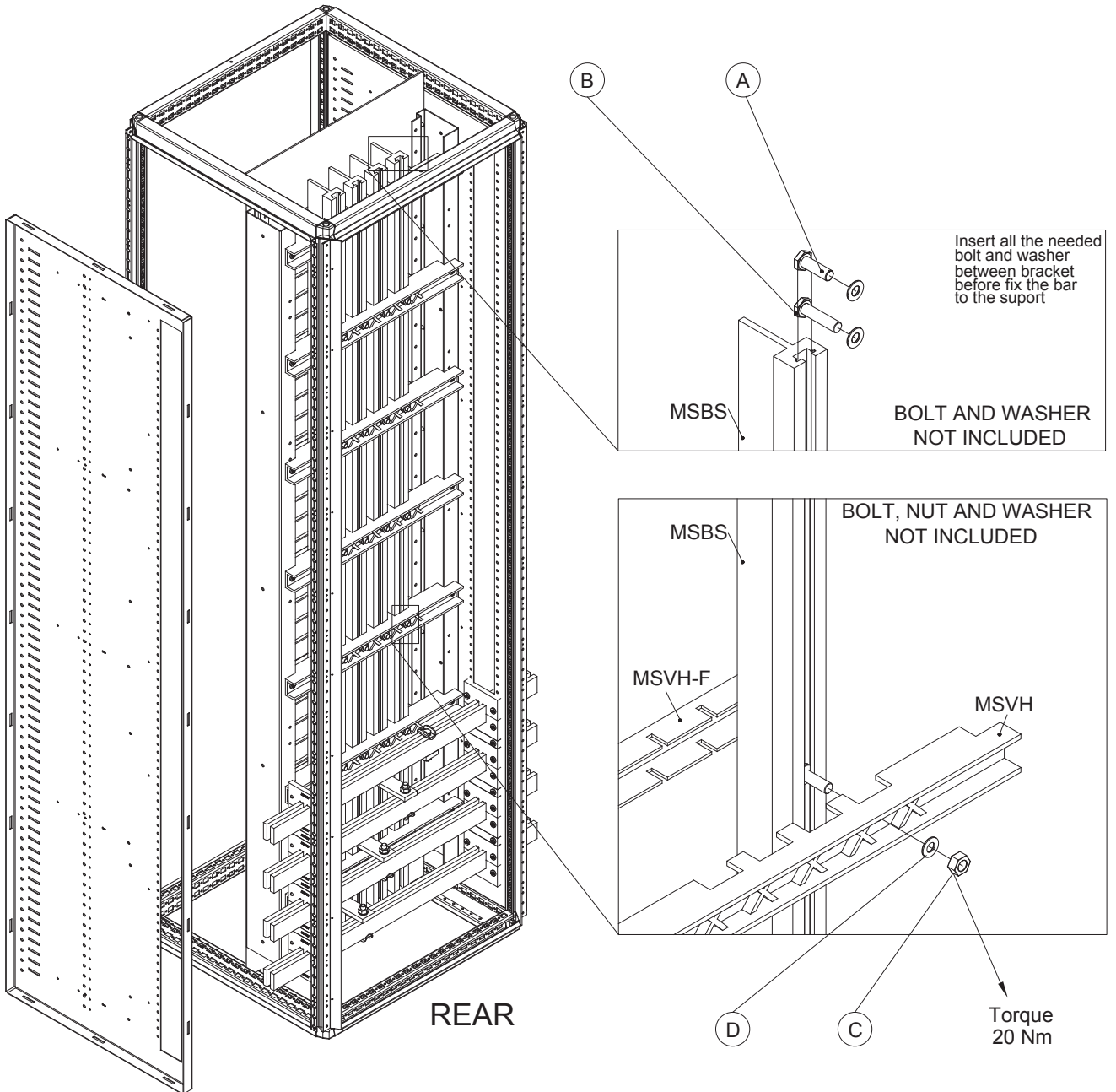


\* - BOLT, NUT AND WASHER NOT INCLUDED



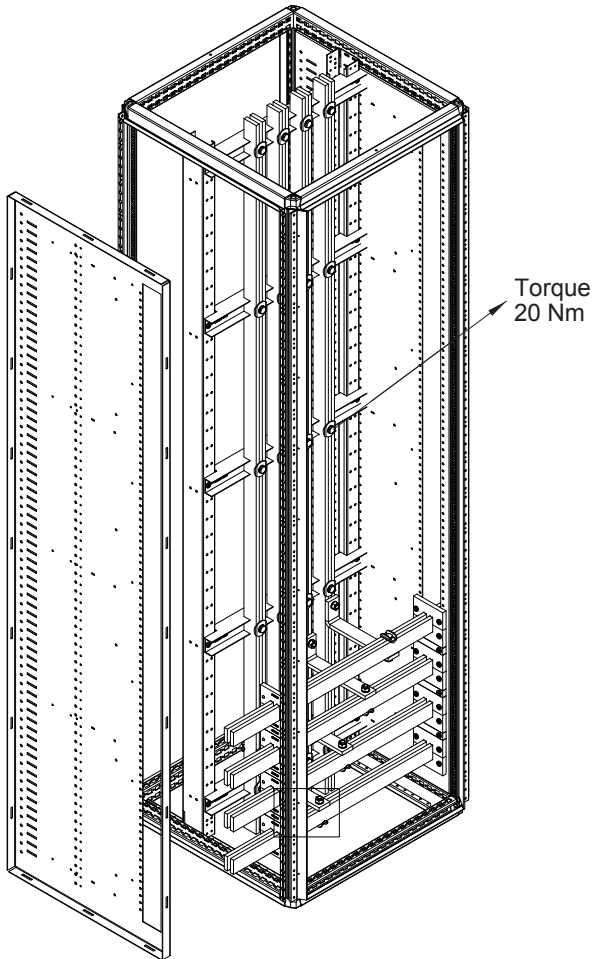
# MSBS VERTICAL BUSBAR

Ref.	Pic.	Qty.
A		M10x30 12
B		M10x40 12
C		M10 12
D		M10 12

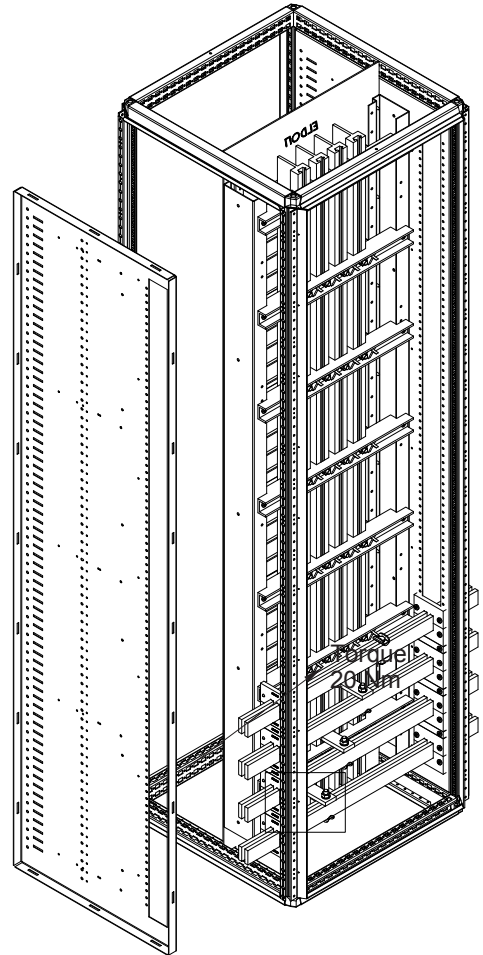




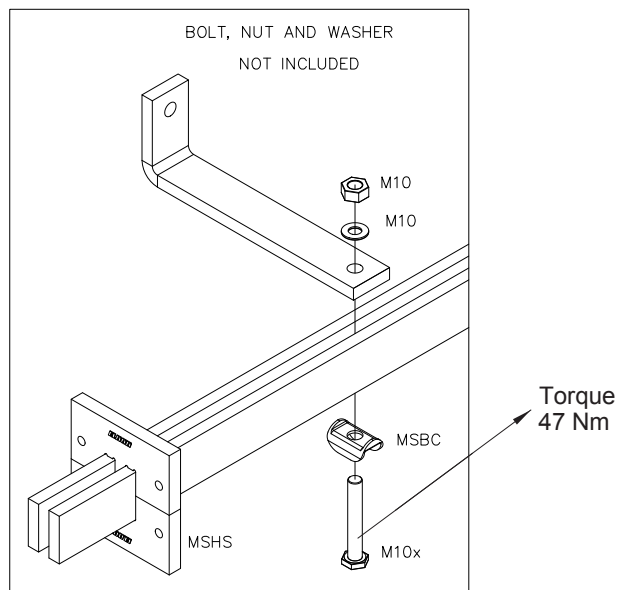
# MAIN BUSBAR



Fix system

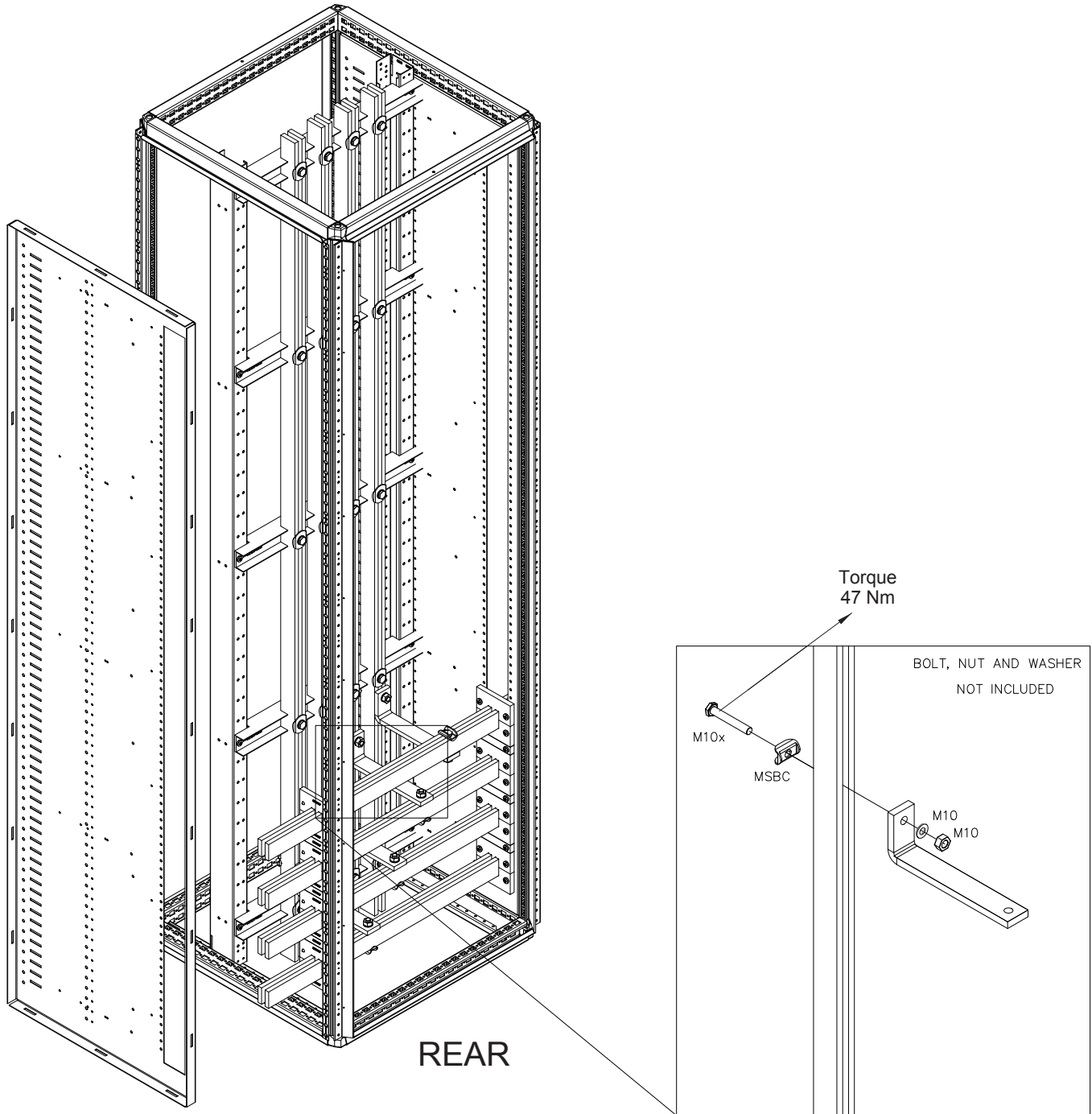


Plug-in system

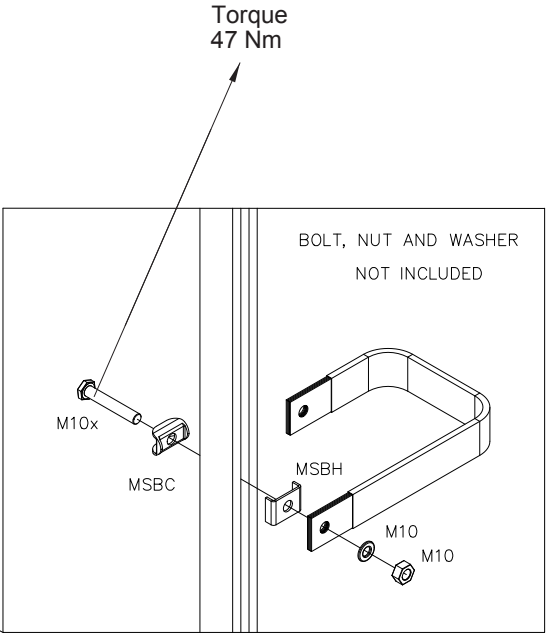
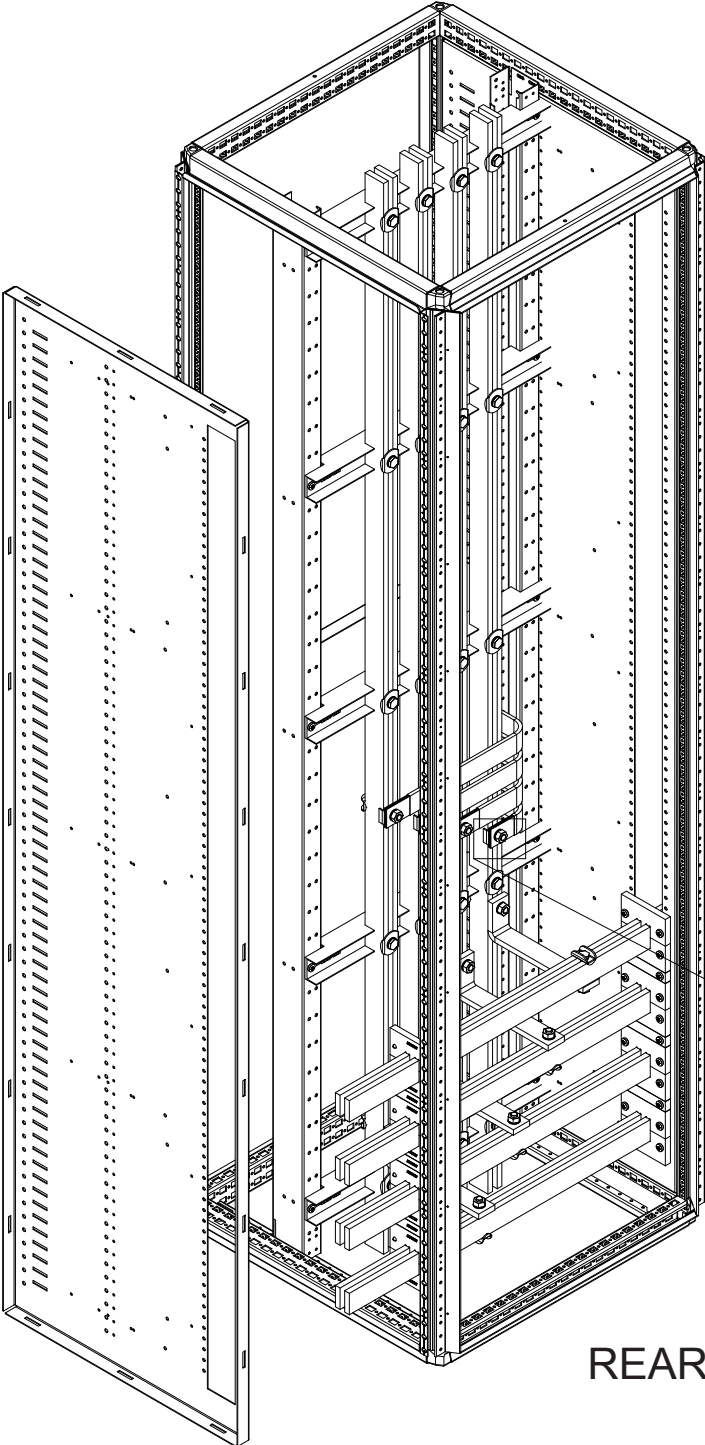




# FIX BUSBAR INCOMING CONNECTION



# FIX BUSBAR OUTGOING CONNECTION





Our powerful portfolio of brands:

**CADDY   ERICO   HOFFMAN   RAYCHEM   SCHROFF   TRACER**



[eldon.com](https://eldon.com)  
[nVent.com/HOFFMAN](https://nVent.com/HOFFMAN)