

B161/B164 Earthpoint, Four Stud



FEATURES

Long-lasting design

Low ground resistance and impedance

Superior electrical conductivity and resistance to corrosion

Electrically and mechanically robust and reliable

Easy to install as a Prefabricated Earthbridge once nVent ERICO Cadweld welded to a piece of conductor

SPECIFICATIONS

Material: Copper

Table 1/2

Catalog Number	Article Number	Width 1 (W1)	Width 2 (W2)	Depth 1 (D1)	Depth 2 (D2)	Height (H)
B16412A	166060	44.5 mm	85 mm	44.5mm	85mm	70 mm
B16110B	166030	30 mm	65 mm	30mm	65mm	42 mm

Table 2/2

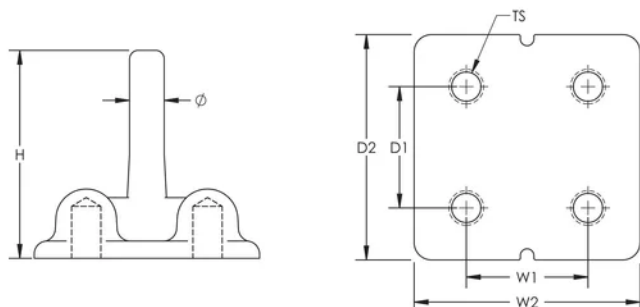
Catalog Number	Article Number	Diameter (Ø)	Thread Size (TS)
B16412A	166060	10.7 mm	M12

Catalog Number	Article Number	Diameter (Ø)	Thread Size (TS)
B16110B	166030	14 mm	M10

ADDITIONAL PRODUCT DETAILS

Assemblies require conductors and nVent ERICO Cadweld connections, which must be ordered separately.

DIAGRAMS



WARNING

nVent products shall be installed and used only as indicated in nVent's product instruction sheets and training materials. Instruction sheets are available at www.nvent.com and from your nVent customer service representative. Improper installation, misuse, misapplication or other failure to completely follow nVent's instructions and warnings may cause product malfunction, property damage, serious bodily injury and death and/or void your warranty.

⚠ WARNING: This product can expose you to chemicals including lead, which is known to the State of California to cause cancer and birth defects or other reproductive harm. For more information go to www.P65Warnings.ca.gov.

North America

+1.800.753.9221
Option 1 – Customer Care
Option 2 – Technical
Support

Europe

Netherlands:
+31 800-0200135
France:
+33 800 901 793

Europe

Germany:
800 1890272
Other Countries:
+31 13 5835404

APAC

Shanghai:
+ 86 21 2412 1618/19
Sydney:
+61 2 9751 8500



Our powerful portfolio of brands:

CADDY ERICO HOFFMAN ILSCO SCHROFF TRACHTE