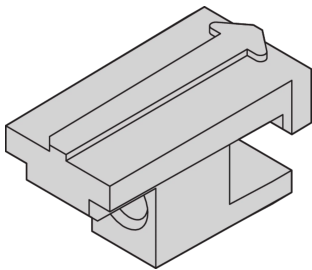


Frame Type Plug-In Unit Rear Panel Fastener, 50 Pairs

CATALOG NUMBER

24812-402



Rear Panel Fastener for frame type plug-in units, kit with fixing screws. To increase the robustness of wider frame type plug-in units.

CERTIFICATIONS



FEATURES

For connection of rear Panel with cover plate

To increase robustness of wide frame type plug-in units

Suitable for plug-in unit cover plates, with perforation for guide rails

For improved EMC contact between rear Panel and cover plate

PRODUCT ATTRIBUTES

Package Quantity: 100

Material: Zinc Alloy

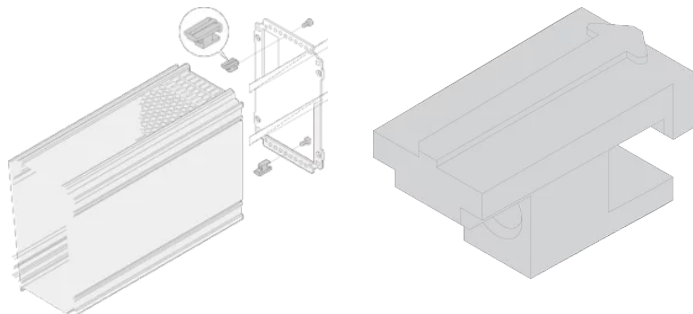
Product Type: Hardware Kit

Works With: Cassettes

ADDITIONAL PRODUCT DETAILS

The rear Panel retainer (24812-402) and retention screw (24560-148) are also available as separate items, 100 pieces; see Accessories.

DIAGRAMS



WARNING

nVent products shall be installed and used only as indicated in nVent's product instruction sheets and training materials. Instruction sheets are available at www.nvent.com and from your nVent customer service representative. Improper installation, misuse, misapplication or other failure to completely follow nVent's instructions and warnings may cause product malfunction, property damage, serious bodily injury and death and/or void your warranty.

North America

All locations
+1.763.422.2661
Chat with us:
nvent.com/schroff

Europe

Straubenhardt, Germany
+49.7082.794.0
Betschdorf, France
+33.3.88.90.64.90
Warsaw, Poland
+48.22.209.98.35
Assago, Italy
+39.02.932.7141
Chat with us:
nvent.com/schroff

Asia

Shanghai, China
+86.21.2412.6943
Qingdao, China
+86.532.8771.6101
Singapore
+65.6768.5800
Shin-Yokohama, Japan
+81.45.476.0271
Chat with us:
nvent.com/schroff

Middle East & India

Dubai, United Arab Emirates
+971.4.378.1700
Bangalore, India
+91.80.6715.2001
Istanbul, Turkey
+90.216.250.7374
Chat with us:
nvent.com/schroff



Our powerful portfolio of brands:

CADDY ERICO HOFFMAN ILSCO SCHROFF TRACHTE