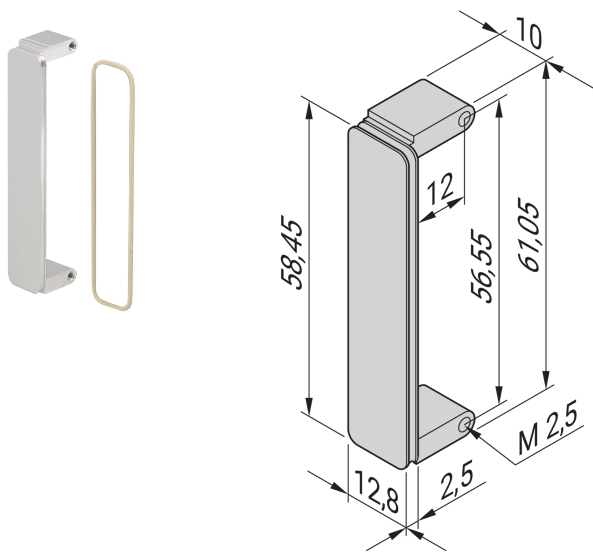


Bezel for FMC Mezzanine Front Panel Cutouts, VITA 57.1

CATALOG NUMBER

20835-849



A FMC bezel is fitted into FMC mezzanine front panel cutouts, Kit of 10 FMC bezels.

CERTIFICATIONS



FEATURES

FMC bezel is fitted into FMC mezzanine front panel cutouts

FMC cover can optionally be shielded with conductive O-ring, please order this separately

Material, Al extrusion (anodized, surface conductive)

PRODUCT ATTRIBUTES

Product Type: Front Panel

Type: Mezzanine Front Panel

Accessory Type: Front panel

Mounting: Snapped in

EMC Shielding: No (Retrofittable)

Gasket Type: O-Ring EMC

Material: Aluminum

Front Finish: Anodized

Rear Finish: Conductive

Treated Edges: No

Complies With: FMC Mezzanine; IEEE P1386

Package Quantity: 10

Finish: Anodized

Net Weight: 0.1kg

ADDITIONAL PRODUCT DETAILS

Please order EMC O-ring gasket separately.

WARNING

nVent products shall be installed and used only as indicated in nVent's product instruction sheets and training materials. Instruction sheets are available at www.nvent.com and from your nVent customer service representative. Improper installation, misuse, misapplication or other failure to completely follow nVent's instructions and warnings may cause product malfunction, property damage, serious bodily injury and death and/or void your warranty.

North America

All locations
+1.763.422.2661
Chat with us:
nvent.com/schroff

Europe

Straubenhardt, Germany
+49.7082.794.0
Betschdorf, France
+33.3.88.90.64.90
Warsaw, Poland
+48.22.209.98.35
Assago, Italy
+39.02.932.7141
Chat with us:
nvent.com/schroff

Asia

Shanghai, China
+86.21.2412.6943
Qingdao, China
+86.532.8771.6101
Singapore
+65.6768.5800
Shin-Yokohama, Japan
+81.45.476.0271
Chat with us:
nvent.com/schroff

Middle East & India

Dubai, United Arab
Emirates
+971.4.378.1700
Bangalore, India
+91.80.6715.2001
Istanbul, Turkey
+90.216.250.7374
Chat with us:
nvent.com/schroff



Our powerful portfolio of brands:

CADDY ERICO HOFFMAN ILSCO SCHROFF TRACHTE