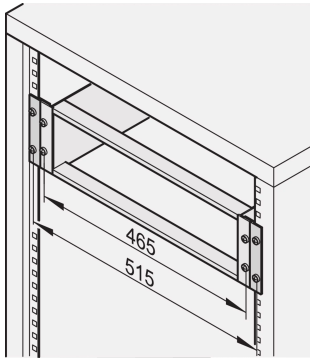


# Etsirack 19" to 21" Adapter Kit

## Power Utilities



The 19" adaptor allows 19" components to be installed in the metric Etsirack.

### CERTIFICATIONS



### FEATURES

Equal clearances are obtained above and below between the 19" adaptor and the metric height increments

The 19" adaptor allows 19" components to be installed in the metric Etsirack

### SPECIFICATIONS

Table 1/1

Catalog Number	Rack Height	Product Family	Product Type	Type	Works With
20838-084	3 U	EuropacPRO	Adapter	Etsirack	Subracks
20838-086	6 U	EuropacPRO	Adapter	Etsirack	Subracks

## ADDITIONAL PRODUCT DETAILS

---

Assembly dimensions and clearances see drawing.

## WARNING

---

nVent products shall be installed and used only as indicated in nVent's product instruction sheets and training materials. Instruction sheets are available at [www.nvent.com](http://www.nvent.com) and from your nVent customer service representative. Improper installation, misuse, misapplication or other failure to completely follow nVent's instructions and warnings may cause product malfunction, property damage, serious bodily injury and death and/or void your warranty.



Our powerful portfolio of brands:

**CADDY   ERICO   HOFFMAN   ILSCO   SCHROFF   TRACHTE**