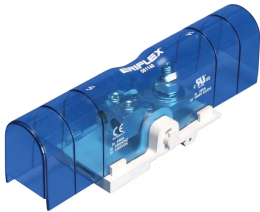


SBLT-250 Lug-to-Tunnel Power Terminal



CERTIFICATIONS



FEATURES

- Tinned copper block allows for copper or aluminum conductor connections
- Accessible studs and tunnels allow for easy connection of nVent ERIFLEX Flexibar and other conductors
- Design allows for visual inspection of conductor and confirmation of connection
- Adjustable transparent cover
- Modular snap-together blocks for building multi-pole power blocks
- Easily clips onto DIN rail or mounts to panel with screws
- SBLEC Power Terminals Fixing Accessory required for direct panel mount
- RoHS compliant
- Halogen free

SPECIFICATIONS

Catalog Number	SBLT-250
Article Number	561140
Material	Copper Thermoplastic

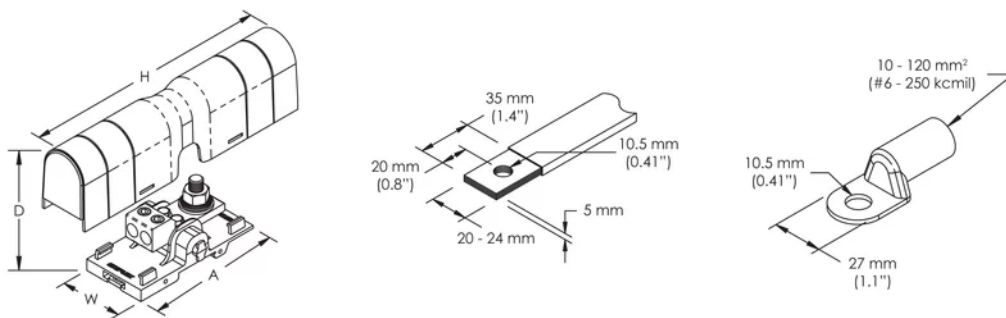
Catalog Number	SBLT-250
Finish	Tinned
Max Current Rating, IEC	350A
Max Current Rating, UL/CSA	300A
Short Term Withstand Current (I _{cw}) 1s	8.4kA
Peak Short Circuit Current (I _{pk})	30kA
Short Circuit Current Rating (SCCR)	100kA
Max Working Voltage, IEC (U _i)	1000 1500
Max Working Voltage, UL (V _{in})	1000
Number of Stud Connections	1
Stud Connection Conductor Width	20 – 24 mm
Stud Connection Compact Stranded Wire Size	10 – 120 mm ²
Stud Connection Wire Size	#6 - 250 kcmil
Number of Tunnel Connections	2
Tunnel Connection Compact Stranded Wire Size	(2) 10 – 50 mm ²
Tunnel Connection Wire Size - Ferrule	(2) 10 – 35 mm ²
Tunnel Connection Wire Size	(2) #8 – 1/0
Depth (D)	2.56"
Height (H)	8.1"
Width (W)	2.1"
A	4 1/4"
Unit Weight	0.6 lb
Certification Details	UL® 1059
Flammability Rating	UL® 94V-1
Complies With	IEC® 60947-7-1

ADDITIONAL PRODUCT DETAILS

Power terminal connections are interchangeable and can be used as line side or load side connections.

Design Guideline for Distribution Blocks, Power Blocks and Power Terminals										
Derating according to Ambient* Temperature (°F) to maintain working temperature of 185°F										
Ambient Temperature (°F)	86°	95°	104°	113°	122°	131°	140°	149°	158°	167°
Derating Coefficient (d)	1	1	1	0.94	0.88	0.82	0.75	0.67	0.58	0.47
*environment around the terminal blocks inside the enclosure										

DIAGRAMS



WARNING

nVent products shall be installed and used only as indicated in nVent's product instruction sheets and training materials. Instruction sheets are available at www.nvent.com and from your nVent customer service representative. Improper installation, misuse, misapplication or other failure to completely follow nVent's instructions and warnings may cause product malfunction, property damage, serious bodily injury and death and/or void your warranty.

North America

+1.800.753.9221
Option 1 – Customer Care
Option 2 – Technical
Support

Europe

Netherlands:
+31 800-0200135
France:
+33 800 901 793

Europe

Germany:
800 1890272
Other Countries:
+31 13 5835404

APAC

Shanghai:
+ 86 21 2412 1618/19
Sydney:
+61 2 9751 8500



Our powerful portfolio of brands:

CADDY ERICO HOFFMAN ILSCO SCHROFF TRACHTE