

# nVent CADDY Macrofix Plus NI EZ with Easy Closure



## CERTIFICATIONS



## FEATURES

Contains easy closing mechanism

Plastic washers help prevent crushing the CPVC or plastic pipe and assure a floating fit

Flared edges and specially designed welding area help protect CPVC piping

Ideal for installations where space is limited and require services to be ran close to the attachment surface

Suitable for 3/4" - 2" (20 - 50 DN) steel sprinkler pipe

Eliminates the need to seismically brace when drops are kept within 6" (150 mm) of the attachment surface

Combo head bolt works with slotted, hex, or Phillips drivers

Conforms with Manufacturers Standardization Society (MSS) SP-58 (Type 12)

## SPECIFICATIONS

**Finish:** Electrogalvanized

**Material:** Steel

Table 1/2

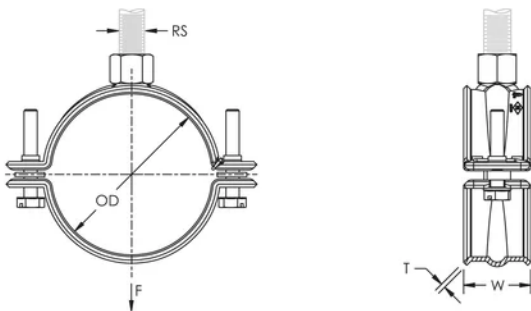
Catalog Number	Pipe Size	Outer Diameter (OD)	Rod Size (RS)	Width (W)	Thickness (T)	Static Load (F)
4290050EG	1/2"	0.790" - 0.84"	3/8"	1 3/16"	1/16"	250lbf
4290075EG	3/4"	0.980" - 1.06"	3/8"	1 3/16"	1/16"	250lbf
4290100EG	1"	1.260" - 1.33"	3/8"	1 3/16"	1/16"	250lbf
4290125EG	1 1/4" Min	1.570" - 1.67"	3/8"	1 3/16"	1/16"	250lbf
4290150EG	1 1/2"	1.900" - 1.97"	3/8"	1 3/16"	5/64"	320lbf
4290200EG	2" Min	2.370" - 2.48"	3/8"	1 3/16"	5/64"	320lbf
4290250EG	2 1/2"	2.88" - 3"	3/8"	1 3/16"	5/64"	320lbf
4290300EG	3"	3 1/2" - 3.54"	3/8"	1 3/16"	5/64"	380lbf
4290400EG	4"	4.330" - 4 1/2"	3/8"	1 3/16"	3/32"	440lbf
4290500EG	5"	5 1/2" - 5.56"	3/8"	1 3/16"	3/32"	440lbf

Table 2/2

Catalog Number	Certifications
4290050EG	cUL, UL
4290075EG	cUL, UL, FM Approved, Pipe Hanger Components
4290100EG	FM Approved, Pipe Hanger Components, cUL, UL
4290125EG	cUL, UL, FM Approved, Pipe Hanger Components
4290150EG	FM Approved, Pipe Hanger Components, cUL, UL
4290200EG	cUL, UL, FM Approved, Pipe Hanger Components

Catalog Number	Certifications
4290250EG	cUL, UL
4290300EG	cUL, UL
4290400EG	cUL, UL
4290500EG	

## DIAGRAMS



## WARNING

nVent products shall be installed and used only as indicated in nVent's product instruction sheets and training materials. Instruction sheets are available at [www.nvent.com](http://www.nvent.com) and from your nVent customer service representative. Improper installation, misuse, misapplication or other failure to completely follow nVent's instructions and warnings may cause product malfunction, property damage, serious bodily injury and death and/or void your warranty.

### North America

+1.800.753.9221  
Option 1 – Customer Care  
Option 2 – Technical  
Support

### Europe

Netherlands:  
+31 800-0200135  
France:  
+33 800 901 793

### Europe

Germany:  
800 1890272  
Other Countries:  
+31 13 5835404

### APAC

Shanghai:  
+ 86 21 2412 1618/19  
Sydney:  
+61 2 9751 8500



Our powerful portfolio of brands:

**CADDY ERICO HOFFMAN ILSCO SCHROFF TRACHTE**

