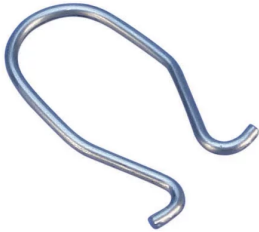


# Light Duty Light Fixture Eyelet



## FEATURES

Inserts into openings of light fixture

Hook or loop through lighting clip to suspend lighting from wire rope or chain

## SPECIFICATIONS

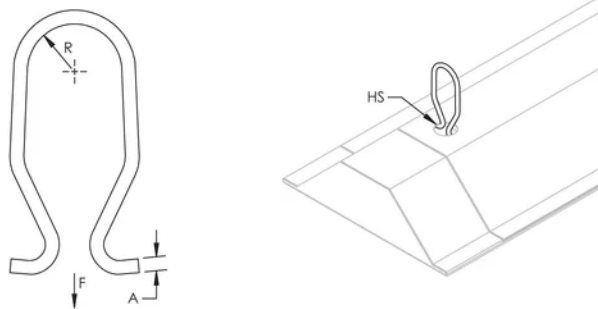
Table 1/1

| Catalog Number | Article Number | Material                              | Radius (R) | A      | Hole Size (HS) | Static Load |
|----------------|----------------|---------------------------------------|------------|--------|----------------|-------------|
| SLLC250        | 195863         | Stainless Steel<br>302 (EN<br>1.4324) | 5.1mm      | 1.5 mm | 6 mm Min       | 55N         |

## ADDITIONAL PRODUCT DETAILS

Do not use light fixture eyelet as a lifting device.

## DIAGRAMS



## WARNING

nVent products shall be installed and used only as indicated in nVent's product instruction sheets and training materials. Instruction sheets are available at [www.nvent.com](http://www.nvent.com) and from your nVent customer service representative. Improper installation, misuse, misapplication or other failure to completely follow nVent's instructions and warnings may cause product malfunction, property damage, serious bodily injury and death and/or void your warranty.

### North America

+1.800.753.9221  
Option 1 – Customer Care  
Option 2 – Technical  
Support

### Europe

Netherlands:  
+31 800-0200135  
France:  
+33 800 901 793

### Europe

Germany:  
800 1890272  
Other Countries:  
+31 13 5835404

### APAC

Shanghai:  
+ 86 21 2412 1618/19  
Sydney:  
+61 2 9751 8500



Our powerful portfolio of brands:

**CADDY ERICO HOFFMAN ILSCO SCHROFF TRACHTE**

