

Strut Beam Clamp with U-Bolt



FEATURES

Complete with U-bolt and nuts

Requires installation in pairs

SPECIFICATIONS

Table 1/3

Catalog Number	Article Number	Material	Finish	Strut Type	Rod Size (RS)	Flange Thickness (FT)
ZTA602HD	388006	Steel	Hot-Dip Galvanized	A (41 x 41 mm), AA (83 x 41 mm), D (62 x 41 mm), E (83 x 41 mm)	10	18 mm Max
ZTA603HD	388066	Steel	Hot-Dip Galvanized	DD (124 x 41 mm)	10	18 mm Max
ZTA601S6	387710	Stainless Steel 316 (EN 1.4401)		A (41 x 41 mm), C (21 x 41 mm), CC (41 x 41 mm)	10	18 mm Max
ZTA601HD	387701	Steel	Hot-Dip Galvanized	A (41 x 41 mm), C (21 x 41 mm), CC (41 x 41 mm)	10	18 mm Max

Table 2/3

Catalog Number	Article Number	Width (W)	Thickness (T)	A	B	C
ZTA602HD	388006	80 mm	6 mm	24 mm	45 mm	140 mm
ZTA603HD	388066	80 mm	6 mm	24 mm	45 mm	180 mm
ZTA601S6	387710	80 mm	6 mm	24 mm	45 mm	110 mm
ZTA601HD	387701	80 mm	6 mm	24 mm	45 mm	95 mm

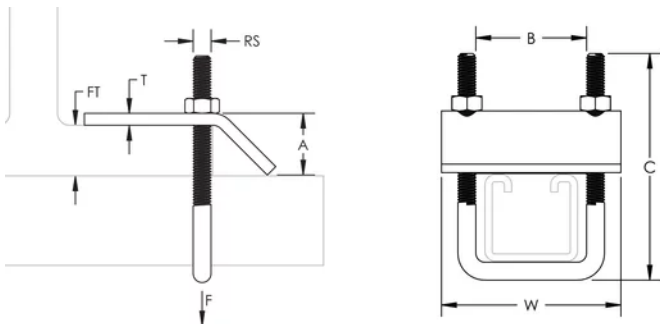
Table 3/3

Catalog Number	Article Number	Static Load
ZTA602HD	388006	5000N
ZTA603HD	388066	5000N
ZTA601S6	387710	5000N
ZTA601HD	387701	5000N

ADDITIONAL PRODUCT DETAILS

Static Load is based on one pair of Strut Beam Clamps.

DIAGRAMS



WARNING

nVent products shall be installed and used only as indicated in nVent's product instruction sheets and training materials. Instruction sheets are available at www.nvent.com and from your nVent customer service representative. Improper installation, misuse, misapplication or other failure to completely follow nVent's instructions and warnings may cause

product malfunction, property damage, serious bodily injury and death and/or void your warranty.

North America

+1.800.753.9221

Option 1 – Customer Care

Option 2 – Technical

Support

Europe

Netherlands:

+31 800-0200135

France:

+33 800 901 793

Europe

Germany:

800 1890272

Other Countries:

+31 13 5835404

APAC

Shanghai:

+ 86 21 2412 1618/19

Sydney:

+61 2 9751 8500



Our powerful portfolio of brands:

CADDY ERICO HOFFMAN ILSCO SCHROFF TRACHTE

