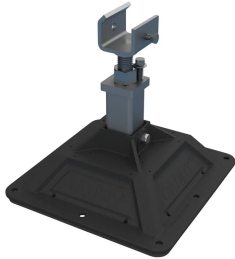


nVent CADDY Pyramid Equipment Support Post Base



FEATURES

Ideal for use with strut channel type A and U-shaped brackets to create custom equipment supports

Height adjustable

Foam bottom offers low abrasion interface for better roof membrane protection

Compatible with roof surfaces including single ply, bituminous, metal and spray foam

Provides superior load distribution, even with varying rooftop surfaces

Hot-dip galvanized and UV stabilized for long lasting performance

SPECIFICATIONS

Table 1/3

Catalog Number	Article Number	Material	Finish	Temperature	Static Load Safety Factor	Height (H)
PEB	360425	Steel, Polypropylene, Polyethylene	Hot-Dip Galvanized	-34 to 54.4 °C	3:1	305 - 457 mm

Table 2/3

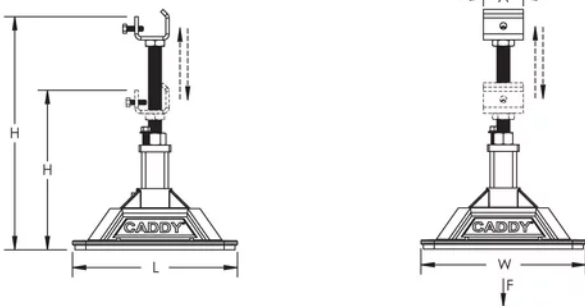
Catalog Number	Article Number	Length (L)	Width (W)	A	Surface Area	Unit Weight
PEB	360425	314mm	314 mm	76 mm	0.09m ²	4 kg

Catalog Number	Article Number	Static Load
PEB	360425	3340N

ADDITIONAL PRODUCT DETAILS

The end user must select and evaluate the strut framing to ensure the custom assembled equipment support can properly support the applied load.

DIAGRAMS



WARNING

nVent products shall be installed and used only as indicated in nVent's product instruction sheets and training materials. Instruction sheets are available at www.nvent.com and from your nVent customer service representative. Improper installation, misuse, misapplication or other failure to completely follow nVent's instructions and warnings may cause product malfunction, property damage, serious bodily injury and death and/or void your warranty.

North America

+1.800.753.9221
 Option 1 – Customer Care
 Option 2 – Technical
 Support

Europe

Netherlands:
 +31 800-0200135
 France:
 +33 800 901 793

Europe

Germany:
 800 1890272
 Other Countries:
 +31 13 5835404

APAC

Shanghai:
 + 86 21 2412 1618/19
 Sydney:
 +61 2 9751 8500



Our powerful portfolio of brands:

CADDY ERICO HOFFMAN ILSCO SCHROFF TRACHTE

