

C-ES Cable to Vertical Flange Clamp



FEATURES

Supports single run of cable

Attaches to beam flanges, angle iron, joists and other structural supports

SPECIFICATIONS

Finish: Hot-Dip Galvanized

Material: Steel

Table 1/1

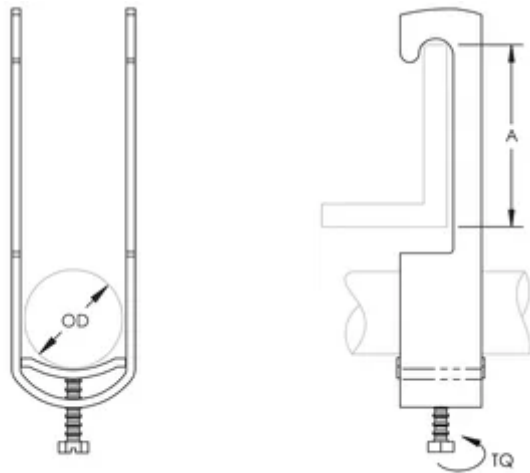
Catalog Number	Article Number	Outer Diameter (OD)	A	Torque (TQ)
C12ES	337000	6 - 12 mm	43 mm	2 N·m
C16ES	337010	12 - 16 mm	43 mm	2 N·m
C20ES	337020	16 - 20 mm	43 mm	2 N·m
C24ES	337030	20 - 24 mm	43 mm	2 N·m
C28ES	337040	24 - 28 mm	43 mm	2 N·m
C32ES	337050	28 - 32 mm	43 mm	2 N·m

Catalog Number	Article Number	Outer Diameter (OD)	A	Torque (TQ)
C36ES	337060	32 - 36 mm	43 mm	2 N·m
C40ES	337070	36 - 40 mm	43 mm	2 N·m
C44ES	337080	40 - 44 mm	43 mm	4 N·m
C48ES	337090	44 - 48 mm	43 mm	4 N·m
C52ES	337100	48 - 52 mm	43 mm	4 N·m
C56ES	337110	52 - 56 mm	43 mm	4 N·m
C60ES	337120	56 - 60 mm	43 mm	4 N·m
C64ES	337130	60 - 64 mm	43 mm	4 N·m

ADDITIONAL PRODUCT DETAILS

Screw is electrogalvanized on clamps that have an outer diameter of 40 mm or less.

DIAGRAMS



WARNING

nVent products shall be installed and used only as indicated in nVent's product instruction sheets and training materials. Instruction sheets are available at www.nvent.com and from your nVent customer service representative. Improper installation, misuse, misapplication or other failure to completely follow nVent's instructions and warnings may cause product malfunction, property damage, serious bodily injury and death and/or void your warranty.

North America

+1.800.753.9221

Option 1 – Customer Care

Option 2 – Technical

Support

Europe

Netherlands:

+31 800-0200135

France:

+33 800 901 793

Europe

Germany:

800 1890272

Other Countries:

+31 13 5835404

APAC

Shanghai:

+ 86 21 2412 1618/19

Sydney:

+61 2 9751 8500



Our powerful portfolio of brands:

CADDY ERICO HOFFMAN ILSCO SCHROFF TRACHTE

