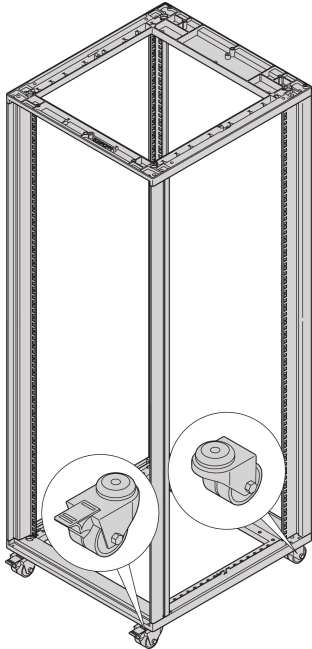


Novastar Castor



Novastar cabinets can be equipped with the stable Novastar castors, allowing necessary mobility.

CERTIFICATIONS



FEATURES

Castors are mounted to the frame

2 castors without jacking foot, 2 castors with jacking foot

SPECIFICATIONS

Product Type: Castor

Table 1/1

Catalog Number	Diameter	Static Load	Package Quantity	Complies With	Height	Quick Ship
----------------	----------	-------------	------------------	---------------	--------	------------

27230-067	50mm	200kg	4		80mm	No
27230-110	100mm	300kg	4	EN 12528	131mm	No
27230-068	60mm	400kg	4		80mm	No
27230-069	125mm	400kg	4		155mm	No

WARNING

nVent products shall be installed and used only as indicated in nVent's product instruction sheets and training materials. Instruction sheets are available at www.nvent.com and from your nVent customer service representative. Improper installation, misuse, misapplication or other failure to completely follow nVent's instructions and warnings may cause product malfunction, property damage, serious bodily injury and death and/or void your warranty.

North America

All locations
+1.763.422.2661
Chat with us:
nvent.com/schroff

Europe

Straubenhardt, Germany
+49.7082.794.0
Betschdorf, France
+33.3.88.90.64.90
Warsaw, Poland
+48.22.209.98.35
Assago, Italy
+39.02.932.7141
Chat with us:
nvent.com/schroff

Asia

Shanghai, China
+86.21.2412.6943
Qingdao, China
+86.532.8771.6101
Singapore
+65.6768.5800
Shin-Yokohama, Japan
+81.45.476.0271
Chat with us:
nvent.com/schroff

Middle East & India

Dubai, United Arab Emirates
+971.4.378.1700
Bangalore, India
+91.80.6715.2001
Istanbul, Turkey
+90.216.250.7374
Chat with us:
nvent.com/schroff



Our powerful portfolio of brands:

CADDY ERICO HOFFMAN ILSCO SCHROFF TRACHTE