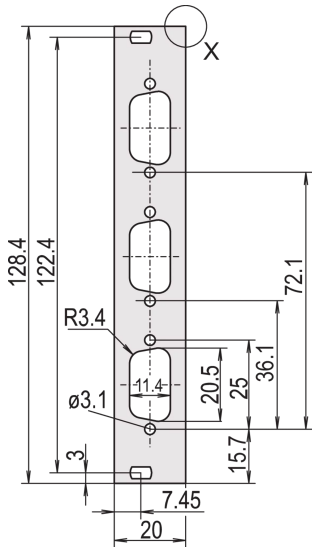


Front Panel, Flat, Refrofit Shielding, D-Sub Cutouts



Flat front panel with cutout for D-Sub connectors.
Shieldable for stainless steel EMC gasket.

CERTIFICATIONS



FEATURES

For stainless steel EMC gasket

Al, 2.5 mm, front anodized, conductive

SPECIFICATIONS

Rack Height:	3U
Rack Width:	4HP
Material:	Aluminum
Finish:	Anodized; Passivated
Accessory Type:	Front panel
Product Type:	Front Panel

Type: Front Panel without Handle

EMC Shielding: No (Retrofittable)

Table 1/2

Catalog Number	Package Quantity	Mounting	Gasket Type	Front Finish	Rear Finish	Number of Pins
30118-353	1	Screw-on Front	Stainless Steel EMC	Anodized	Conductive	(2) 25
30118-352	1	Screw-on Front	Stainless Steel EMC	Anodized	Conductive	(2) 15
30118-350	1	Screw-on Front	Stainless Steel EMC	Anodized	Conductive	(1) 25
30118-351	1	Screw-on Front	Stainless Steel EMC	Anodized	Conductive	(2) 9
30118-354	1	Screw-on Front	Stainless Steel EMC	Anodized	Conductive	(3) 9
30118-348	1	Screw-on Front	Stainless Steel EMC	Anodized	Conductive	(1) 9
30118-349	1	Screw-on Front	Stainless Steel EMC	Anodized	Conductive	(1) 15

Table 2/2

Catalog Number	Treated Edges	Complies With	Depth (D)	Height (H)	Width (W)	Quick Ship
30118-353	No	IEC 60297-3- 101, IEEE 1101.1/10	2.5mm	128.4mm	19.98mm	No
30118-352	No	IEC 60297-3- 101, IEEE 1101.1/10	2.5mm	128.4mm	19.98mm	No
30118-350	No	IEC 60297-3- 101, IEEE 1101.1/10	2.5mm	128.4mm	19.98mm	No
30118-351	No	IEC 60297-3- 101, IEEE 1101.1/10	2.5mm	128.4mm	19.98mm	No
30118-354	No	IEC 60297-3- 101, IEEE 1101.1/10	2.5mm	128.4mm	19.98mm	No
30118-348	No	IEC 60297-3- 101, IEEE 1101.1/10	2.5mm	128.4mm	19.98mm	No

CatalogNumber	Treated Edges	Complies With	Depth (D)	Height (H)	Width (W)	Quick Ship
30118-349	No	IEC 60297-3-101, IEEE 1101.1/10	2.5mm	128.4mm	19.98mm	No

ADDITIONAL PRODUCT DETAILS

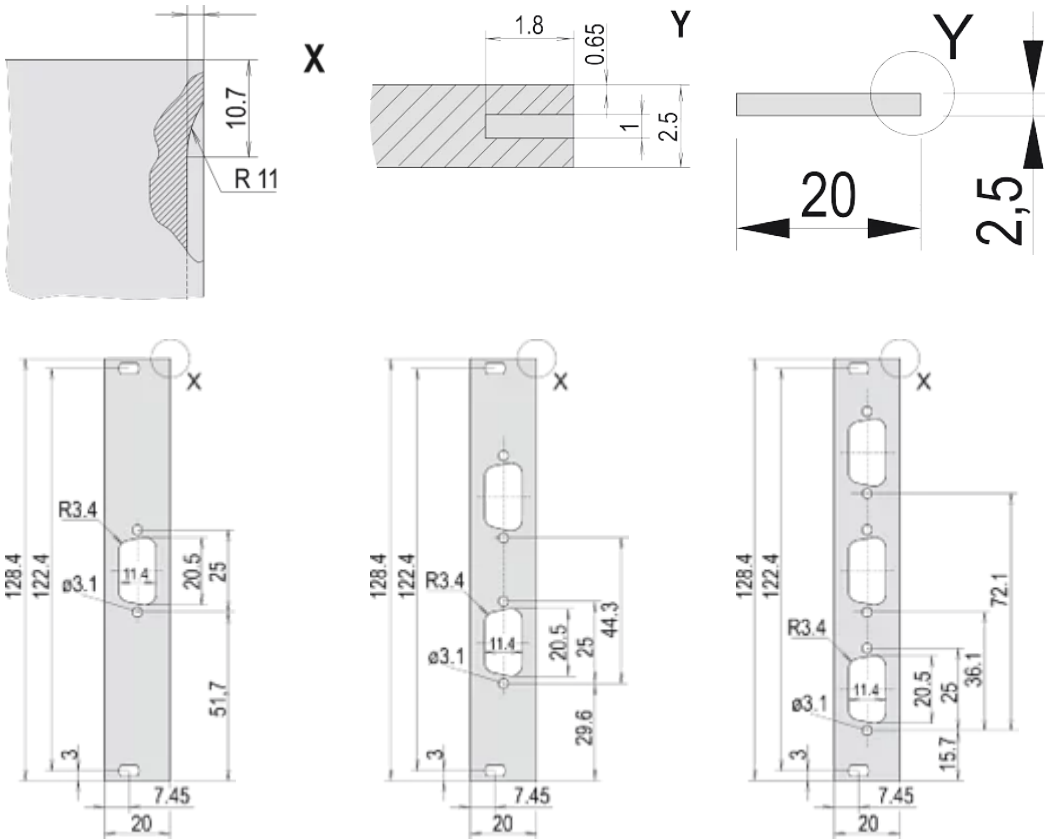
Please order fixing material (sleeves, collar screws) separately.

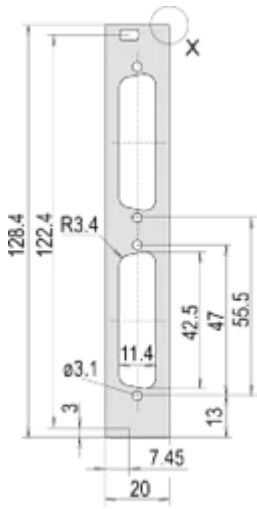
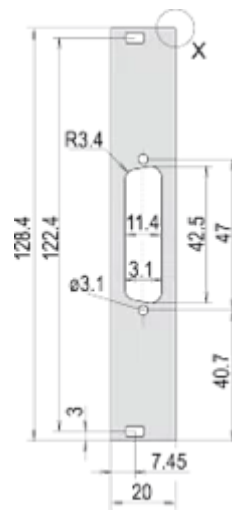
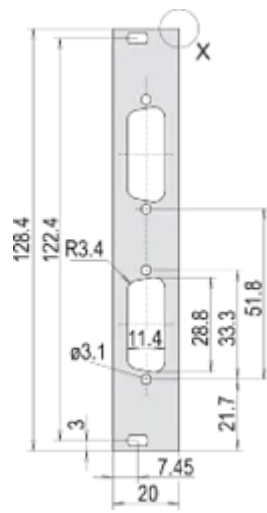
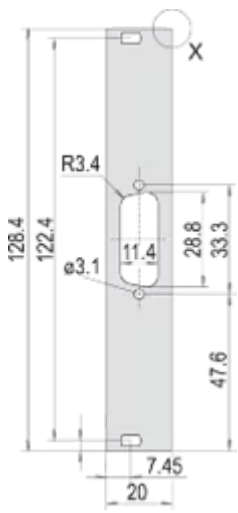
Delivery is in standard pack multiples. Pricing is per individual item.

Please order stainless steel EMC gasket separately.

Please take into consideration that deliveries may be carried out in the stated SPQs (SPQ, e.g. 5 pieces, 10 pieces, 50 pieces, etc.). Differing order quantities (e.g. 2 pieces) may be changed to the next possible delivery quantity = Standard Pack Quantity.

DIAGRAMS





WARNING

nVent products shall be installed and used only as indicated in nVent's product instruction sheets and training materials. Instruction sheets are available at www.nvent.com and from your nVent customer service representative. Improper installation, misuse, misapplication or other failure to completely follow nVent's instructions and warnings may cause product malformation, property damage, serious bodily injury and death, and/or void warranty.

North America

All locations
+1.763.422.2661
Chat with us:
nvent.com/schroff

Europe

Straubenhardt, Germany
+49.7082.794.0
Betschdorf, France
+33.3.88.90.64.90
Warsaw, Poland
+48.22.209.98.35
Assago, Italy
+39.02.932.7141
Chat with us:
nvent.com/schroff

Asia

Shanghai, China
+86.21.2412.6943
Qingdao, China
+86.532.8771.6101
Singapore
+65.6768.5800
Shin-Yokohama, Japan
+81.45.476.0271
Chat with us:
nvent.com/schroff

Middle East & India

Dubai, United Arab Emirates
+971.4.378.1700
Bangalore, India
+91.80.6715.2001
Istanbul, Turkey
+90.216.250.7374
Chat with us:
nvent.com/schroff



Our powerful portfolio of brands:

CADDY ERICO HOFFMAN ILSCO SCHROFF TRACHTE