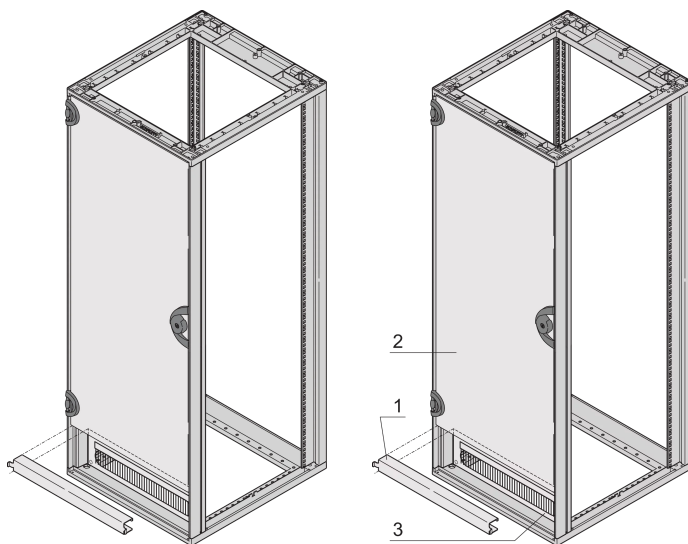


Novastar Door Hinge Bracket for Shortened Door, for Heavy-Duty Universal Front or Rear Door

CATALOG NUMBER

27230-098



Door Hinge Bracket for shortened Doors, Heavy-Duty and Slim-Line, Front or Rear.

CERTIFICATIONS



FEATURES

Mounting (1 U assembly space required) can be above or below the short door

For steel doors that do not run the full height of the cabinet

Requires 1 U installation space

The clearance can be covered by 19" front panels or a cable through-ducting plate (3 U or 4 U)

PRODUCT ATTRIBUTES

Width: 553mm

Material: Steel

Works With: Cabinet

Package Quantity: 1

Color: Black Grey

Color Code: RAL 7021

Finish: Powder Coated

Height: 44.45mm

Product Family: Novastar

Product Type: Bracket

Type: Bracket

Gross Weight: 2kg

WARNING

nVent products shall be installed and used only as indicated in nVent's product instruction sheets and training materials. Instruction sheets are available at www.nvent.com and from your nVent customer service representative. Improper installation, misuse, misapplication or other failure to completely follow nVent's instructions and warnings may cause product malfunction, property damage, serious bodily injury and death and/or void your warranty.

North America

All locations
+1.763.422.2661
Chat with us:
nvent.com/schroff

Europe

Straubenhardt, Germany
+49.7082.794.0
Betschdorf, France
+33.3.88.90.64.90
Warsaw, Poland
+48.22.209.98.35
Assago, Italy
+39.02.932.7141
Chat with us:
nvent.com/schroff

Asia

Shanghai, China
+86.21.2412.6943
Qingdao, China
+86.532.8771.6101
Singapore
+65.6768.5800
Shin-Yokohama, Japan
+81.45.476.0271
Chat with us:
nvent.com/schroff

Middle East & India

Dubai, United Arab
Emirates
+971.4.378.1700
Bangalore, India
+91.80.6715.2001
Istanbul, Turkey
+90.216.250.7374
Chat with us:
nvent.com/schroff



Our powerful portfolio of brands:

CADDY ERICO HOFFMAN ILSCO SCHROFF TRACHTE