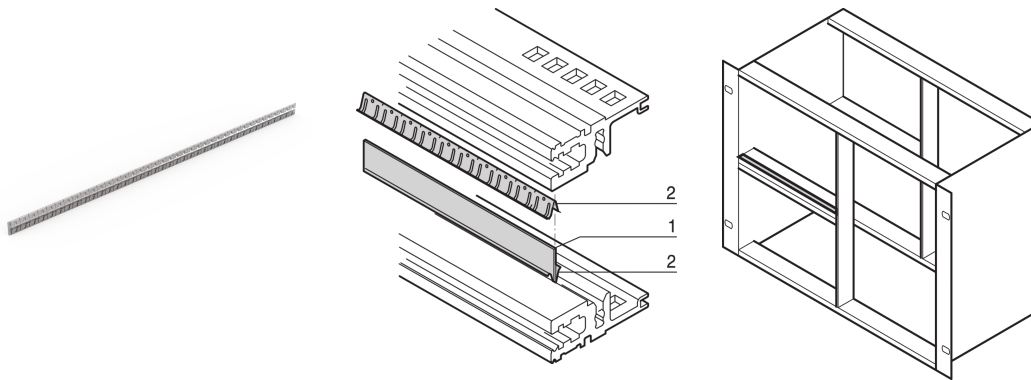


# EMC Shielding Kit, Between Horizontal Rails, Stainless Steel, 84 HP

## Power Utilities

### CATALOG NUMBER

**24562-584**



The contact strip makes contact between horizontal rails. If two horizontal rails are mounted one above the other, the seals plus a metal strip enable EMC shielding.

### CERTIFICATIONS



### FEATURES

If two horizontal rails are mounted one above the other, the seals plus a metal strip enable EMC shielding

### PRODUCT ATTRIBUTES

Product Type: Shielding Kit

Product Family: EuropacPRO

Rack Width: 84 HP

Package Quantity: 1

Length: 431 mm

## **WARNING**

---

nVent products shall be installed and used only as indicated in nVent's product instruction sheets and training materials. Instruction sheets are available at [www.nvent.com](http://www.nvent.com) and from your nVent customer service representative. Improper installation, misuse, misapplication or other failure to completely follow nVent's instructions and warnings may cause product malfunction, property damage, serious bodily injury and death and/or void your warranty.



Our powerful portfolio of brands:

**CADDY   ERICO   HOFFMAN   ILSCO   SCHROFF   TRACHTE**