

# 517 Parallel Cable Connector



## CERTIFICATIONS



## FEATURES

Cable splice with positive two bolt tension grip on cable or wire

For use with all full size cables on Class I/II structures

Listed to UL® 96

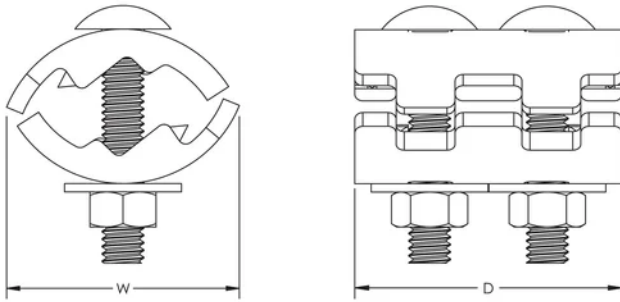
## SPECIFICATIONS

Table 1/1

Catalog Number	Conductor Size, UL	Material	Depth (D)	Width (W)	Unit Weight
LPC517	Class 1 - Class 2 (4/0 Max)	Copper	48.51mm	42.16 mm	0.23 kg

## DIAGRAMS

---



## WARNING

---

nVent products shall be installed and used only as indicated in nVent's product instruction sheets and training materials. Instruction sheets are available at [www.nvent.com](http://www.nvent.com) and from your nVent customer service representative. Improper installation, misuse, misapplication or other failure to completely follow nVent's instructions and warnings may cause product malfunction, property damage, serious bodily injury and death and/or void your warranty.

### North America

+1.800.753.9221  
Option 1 – Customer Care  
Option 2 – Technical  
Support

### Europe

Netherlands:  
+31 800-0200135  
France:  
+33 800 901 793

### Europe

Germany:  
800 1890272  
Other Countries:  
+31 13 5835404

### APAC

Shanghai:  
+ 86 21 2412 1618/19  
Sydney:  
+61 2 9751 8500



Our powerful portfolio of brands:

**CADDY ERICO HOFFMAN ILSCO SCHROFF TRACHTE**