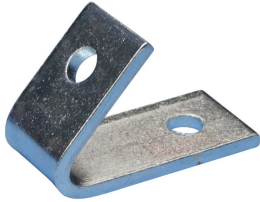


1-1 Hole Closed Corner Angle Bracket



FEATURES

Used to create metal frames with nVent CADDY Eristrut channels

SPECIFICATIONS

Finish: Hot-Dip Galvanized

Material: Steel

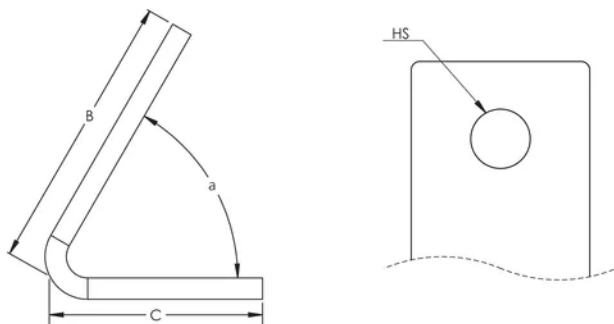
Table 1/2

Catalog Number	Article Number	Angle (a)	B	C	Hole Size (HS)	Thickness (T)
ZW219A45	313640	45 °	100 mm	67 mm	14	6
ZWA219A45	387920	45 °	100 mm	67 mm	14	6

Table 2/2

Catalog Number	Article Number	Screw Included	Screw Diameter (Sc)	Screw Length (L)
ZW219A45	313640	Yes	10	25mm
ZWA219A45	387920	No		

DIAGRAMS



WARNING

nVent products shall be installed and used only as indicated in nVent's product instruction sheets and training materials. Instruction sheets are available at www.nvent.com and from your nVent customer service representative. Improper installation, misuse, misapplication or other failure to completely follow nVent's instructions and warnings may cause product malfunction, property damage, serious bodily injury and death and/or void your warranty.

North America

+1.800.753.9221
Option 1 – Customer Care
Option 2 – Technical
Support

Europe

Netherlands:
+31 800-0200135
France:
+33 800 901 793

Europe

Germany:
800 1890272
Other Countries:
+31 13 5835404

APAC

Shanghai:
+ 86 21 2412 1618/19
Sydney:
+61 2 9751 8500



Our powerful portfolio of brands:

CADDY ERICO HOFFMAN ILSCO SCHROFF TRACHTE

