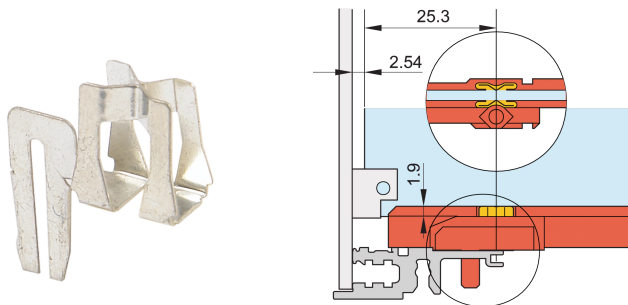


Guide Rail ESD Clip

Power Utilities

CATALOG NUMBER

24560-255



ESD clip ensures conductive contact between PCB and horizontal rail both on the solder side and on the component side.

CERTIFICATIONS



FEATURES

ESD clip ensures conductive contact between PCB and horizontal rail both on the solder side and on the component side

PRODUCT ATTRIBUTES

Product Type: Guide Rail

Type: ESD Clip

Works With: Subracks; Cases; Chassis

Package Quantity: 50

WARNING

nVent products shall be installed and used only as indicated in nVent's product instruction sheets and training materials. Instruction sheets are available at www.nvent.com and from your nVent customer service representative. Improper

installation, misuse, misapplication or other failure to completely follow nVent's instructions and warnings may cause product malfunction, property damage, serious bodily injury and death and/or void your warranty.



Our powerful portfolio of brands:

CADDY ERICO HOFFMAN ILSCO SCHROFF TRACHTE