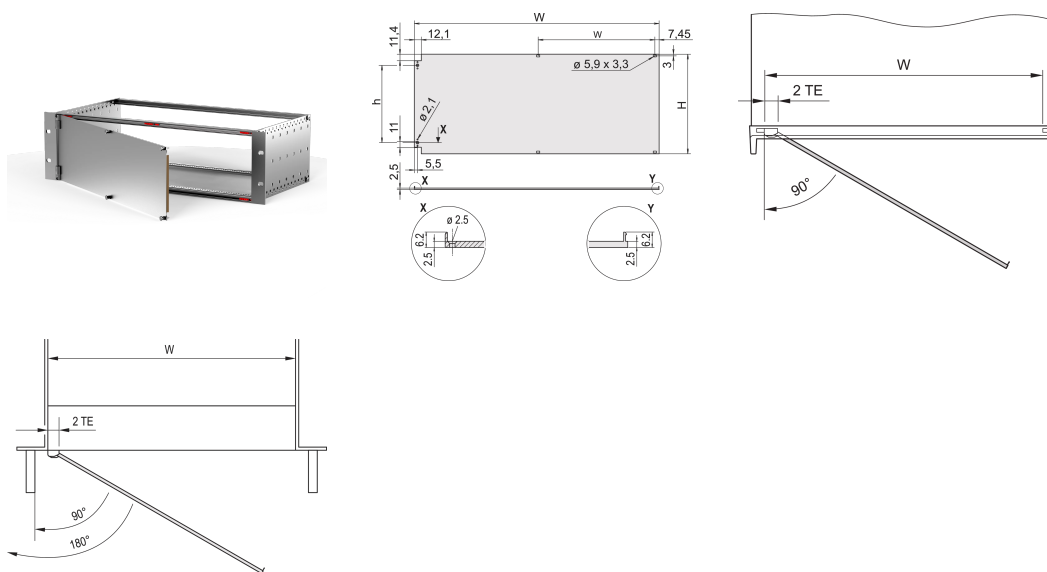


Front Panel, Shielded, Side Hinged, 3 U, 84 HP, 2.5 mm, Al, Front Anodized, Rear Conductive

CATALOG NUMBER

20848-611



Front panel with textile EMC gasket, side hinged assembly.

CERTIFICATIONS



FEATURES

Front panel with textile EMC gasket

Enables mounting onto the horizontal rails

Suitable for subracks and cases

Hinges can be fitted on left or right

North America

All locations

+1.763.422.2661

Chat with us:

nvent.com/schroff

Europe

Straubenhardt, Germany

+49.7082.794.0

Betschdorf, France

+33.3.88.90.64.90

Warsaw, Poland

+48.22.209.98.35

Assago, Italy

+39.02.932.7141

Chat with us:

nvent.com/schroff

Asia

Shanghai, China

+86.21.2412.6943

Qingdao, China

+86.532.8771.6101

Singapore

+65.6768.5800

Shin-Yokohama, Japan

+81.45.476.0271

Chat with us:

nvent.com/schroff

Middle East & India

Dubai, United Arab

Emirates

+971.4.378.1700

Bangalore, India

+91.80.6715.2001

Istanbul, Turkey

+90.216.250.7374

Chat with us:

nvent.com/schroff



Our powerful portfolio of brands:

CADDY

ERICO

HOFFMAN

ILSCO

SCHROFF

TRACHTE