

Crucible Frame Set



Crucible frame sets contain the following: Crucible chain assembly, crucible extension, crucible cover and a flint ignitor. Ordering frame sets simplifies ordering, reduces order errors and helps ensure proper sizing of components.

FEATURES

Simplifies ordering

All components are durable, re-usable and long lasting

SPECIFICATIONS

Material: Graphite;Steel

Table 1/1

Catalog Number	Unit Weight
RBW346544	1.66 kg
RBW346545	1.66 kg
RBW346766	1.71 kg
RBW346767	1.71 kg

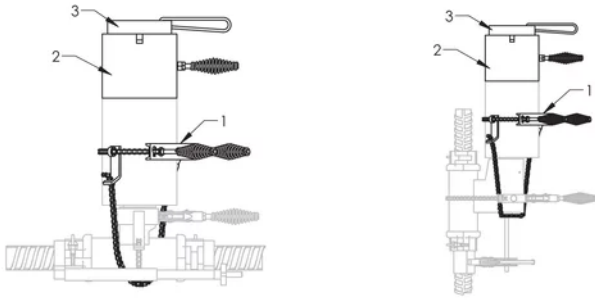
ADDITIONAL PRODUCT DETAILS

Prior to installation, please read and understand all of the detailed instructions and safety notices provided in the nVent LENTON Cadweld Rebar Splicing System instruction manual.

Crucible frame sets are components of installation equipment kits. Care should be taken to avoid duplication of orders.

Components can also be purchased separately: (1) Crucible Chain Assembly, (2) Crucible Extension, (3) Crucible Cover, and (4) Flint Ignitor (not shown).

DIAGRAMS



WARNING

nVent products shall be installed and used only as indicated in nVent's product instruction sheets and training materials. Instruction sheets are available at www.nvent.com and from your nVent customer service representative. Improper installation, misuse, misapplication or other failure to completely follow nVent's instructions and warnings may cause product malfunction, property damage, serious bodily injury and death and/or void your warranty.

North America

+1.800.753.9221
Option 1 – Customer Care
Option 2 – Technical
Support

Europe

Netherlands:
+31 800-0200135
France:
+33 800 901 793

Europe

Germany:
800 1890272
Other Countries:
+31 13 5835404

APAC

Shanghai:
+ 86 21 2412 1618/19
Sydney:
+61 2 9751 8500



Our powerful portfolio of brands:

CADDY ERICO HOFFMAN ILSCO SCHROFF TRACHTE