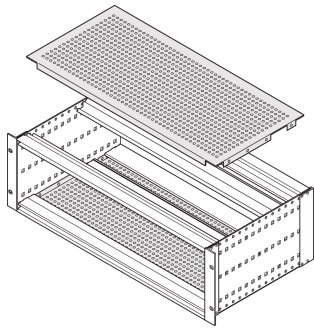


EuropacPRO Cover Plate for Bolting to Side Panel, SNCF



A cover plate is used for electromagnetic shielding or as mechanical protection. The cover can be screwed onto the side panel. Can be used for railway subracks in accordance with SNCF.

CERTIFICATIONS



FEATURES

For variable positioning of horizontal rails e.g. for PCBs with standard formats

Perforation degree 58 %

Suitable for use with all horizontal rails

SPECIFICATIONS

Material:	Aluminum
Product Type:	Cover Plate
Product Family:	EuropacPRO
Finish:	Passivated
Type:	Perforated
Works With:	Subracks

Table 1/1

Catalog Number	Rack Width	Depth	Package Quantity	Package Unit	Torque	Quick Ship

21500-123	36HP	55mm	2	Pair	2.1N·m	No
21500-124	36HP	175mm	2	Pair	2.1N·m	No
21500-122	36HP	235mm	2	Pair	2.1N·m	No
21500-038	84HP	55mm	2	Pair	2.1N·m	No
21500-048	84HP	175mm	2	Pair	2.1N·m	No
21500-037	84HP	235mm	2	Pair	2.1N·m	No

WARNING

nVent products shall be installed and used only as indicated in nVent's product instruction sheets and training materials. Instruction sheets are available at www.nvent.com and from your nVent customer service representative. Improper installation, misuse, misapplication or other failure to completely follow nVent's instructions and warnings may cause product malfunction, property damage, serious bodily injury and death and/or void your warranty.

North America

All locations
+1.763.422.2661
Chat with us:
nvent.com/schroff

Europe

Straubenhardt, Germany
+49.7082.794.0
Betschdorf, France
+33.3.88.90.64.90
Warsaw, Poland
+48.22.209.98.35
Assago, Italy
+39.02.932.7141
Chat with us:
nvent.com/schroff

Asia

Shanghai, China
+86.21.2412.6943
Qingdao, China
+86.532.8771.6101
Singapore
+65.6768.5800
Shin-Yokohama, Japan
+81.45.476.0271
Chat with us:
nvent.com/schroff

Middle East & India

Dubai, United Arab Emirates
+971.4.378.1700
Bangalore, India
+91.80.6715.2001
Istanbul, Turkey
+90.216.250.7374
Chat with us:
nvent.com/schroff



Our powerful portfolio of brands:

CADDY ERICO HOFFMAN ILSCO SCHROFF TRACHTE