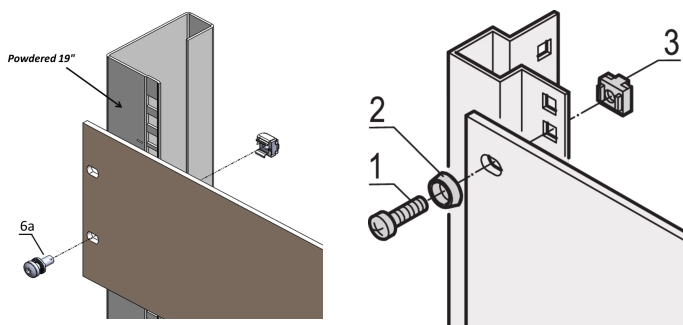


# 19" Assembly Kit, T30 Screw With Captive Nomel Washer, M6x16; Washer, GND/Earthing Cage Nut, M6; 32 Pieces

## Data Solutions

### CATALOG NUMBER

**21120-197**



For standard grounding use a grounding nut and washer on at least one attachment point.

When 19" assembly kit is used with conductive 19" panel mount, grounding cage nuts are not needed.

### FEATURES

Assembly kits for assembly of 19" components into a cabinet

For mounting of front panels, distribution fields or other components on the frame, slide mounts or depth members with square cut-outs

### PRODUCT ATTRIBUTES

Length: 16mm

Package Quantity: 32

Thread Size: M6

Finish: Zinc Plated

Material: Steel

Product Type: Assembly Kit

Type: Mounting Kit; Grounding

## WARNING

---

nVent products shall be installed and used only as indicated in nVent's product instruction sheets and training materials. Instruction sheets are available at [www.nvent.com](http://www.nvent.com) and from your nVent customer service representative. Improper installation, misuse, misapplication or other failure to completely follow nVent's instructions and warnings may cause product malfunction, property damage, serious bodily injury and death and/or void your warranty.



Our powerful portfolio of brands:

**CADDY   ERICO   HOFFMAN   ILSCO   SCHROFF   TRACHTE**