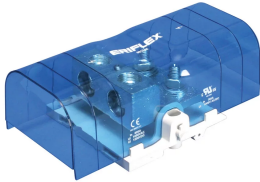


SBLT-800 Lug-to-Tunnel Power Terminal



CERTIFICATIONS



FEATURES

Tinned copper block allows for copper or aluminum conductor connections

Accessible studs and tunnels allow for easy connection of nVent ERIFLEX Flexibar and other conductors

Design allows for visual inspection of conductor and confirmation of connection

Voltage detection and measurement connection

Adjustable transparent cover

Modular snap-together blocks for building multi-pole power blocks

Easily clips onto DIN rail or mounts to panel with screws

SBLEC Power Terminals Fixing Accessory required for direct panel mount

RoHS compliant

Halogen free

SPECIFICATIONS

| | |
|-----------------------|-----------------|
| Catalog Number | SBLT-800 |
| Article Number | 561146 |

| Catalog Number | SBLT-800 |
|--|----------------------------------|
| Material | Copper Thermoplastic |
| Finish | Tinned |
| Max Current Rating, IEC | 1250A |
| Max Current Rating, UL/CSA | 760A |
| Short Term Withstand Current (I _{cw}) 1s | 57.6kA |
| Peak Short Circuit Current (I _{pk}) | 75kA |
| Short Circuit Current Rating (SCCR) | 100kA |
| Max Working Voltage, IEC (U _i) | 1000 1500 |
| Max Working Voltage, UL (V _{in}) | 1000 |
| Number of Stud Connections | 2 |
| Stud Connection Conductor Width | (2) 20 – 40 mm (1) 50 – 80 mm |
| Stud Connection Compact Stranded Wire Size | (2) 35 – 300 mm ² |
| Stud Connection Wire Size | (2) #1 - 500 kcmil |
| Number of Tunnel Connections | 2 |
| Tunnel Connection Compact Stranded Wire Size | (2) 95 – 240 mm ² |
| Tunnel Connection Wire Size - Ferrule | (2) 50 – 185 mm ² |
| Tunnel Connection Wire Size | (2) 3/0 – 500 kcmil |
| Depth (D) | 75mm |
| Height (H) | 205.7 mm |
| Width (W) | 115 mm |
| A | 108 mm |
| Unit Weight | 1.09 kg |
| Certification Details | UL® 1059 |
| Flammability Rating | UL® 94V-1 |
| Complies With | IEC® 60947-7-1 |

ADDITIONAL PRODUCT DETAILS

Power terminal connections are interchangeable and can be used as line side or load side connections.

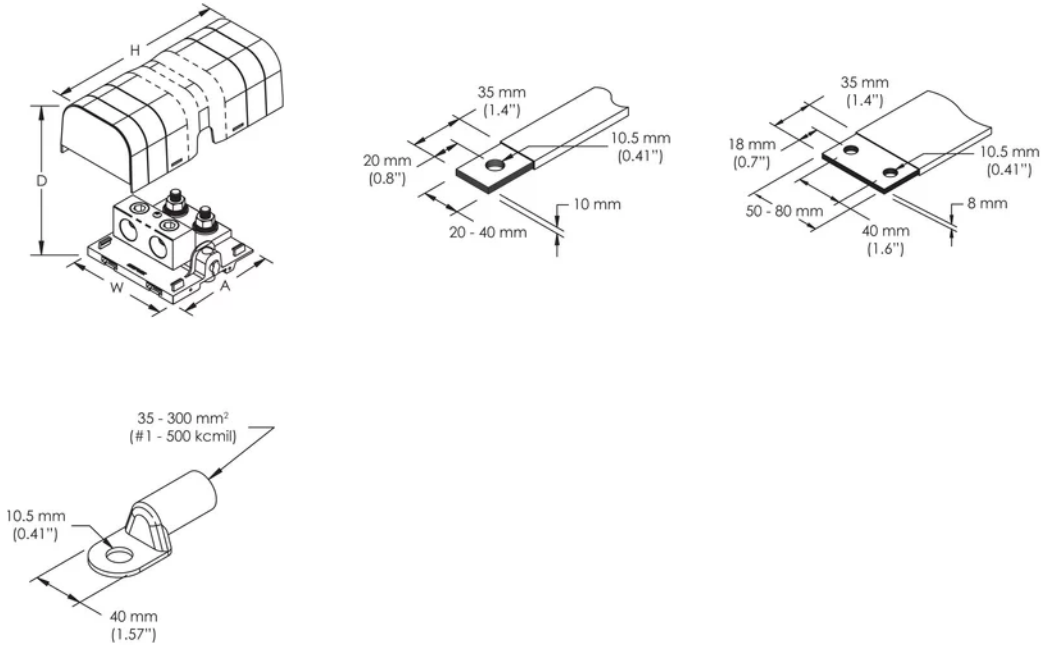
Design Guideline for Distribution Blocks, Power Blocks and Power Terminals

Derating according to Ambient* Temperature (°C) to maintain working temperature of 85°C

| Ambient Temperature (°C) | 30° | 35° | 40° | 45° | 50° | 55° | 60° | 65° | 70° | 75° |
|--------------------------|-----|-----|-----|------|------|------|------|------|------|------|
| Derating Coefficient (d) | 1 | 1 | 1 | 0.94 | 0.88 | 0.82 | 0.75 | 0.67 | 0.58 | 0.47 |

*environment around the terminal blocks inside the enclosure

DIAGRAMS



WARNING

nVent products shall be installed and used only as indicated in nVent's product instruction sheets and training materials. Instruction sheets are available at www.nvent.com and from your nVent customer service representative. Improper installation, misuse, misapplication or other failure to completely follow nVent's instructions and warnings may cause product malfunction, property damage, serious bodily injury and death and/or void your warranty.

North America

+1.800.753.9221

Option 1 – Customer Care

Option 2 – Technical

Support

Europe

Netherlands:

+31 800-0200135

France:

+33 800 901 793

Europe

Germany:

800 1890272

Other Countries:

+31 13 5835404

APAC

Shanghai:

+ 86 21 2412 1618/19

Sydney:

+61 2 9751 8500



Our powerful portfolio of brands:

CADDY

ERICO

HOFFMAN

ILSCO

SCHROFF

TRACHTE