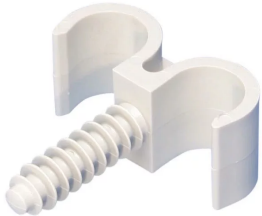


RING FRF /2 Double Pipe Clip with Plug



FEATURES

Hammer in plastic clip to hold 2 pipes/conduit

Fix into drilled hole in brick or concrete

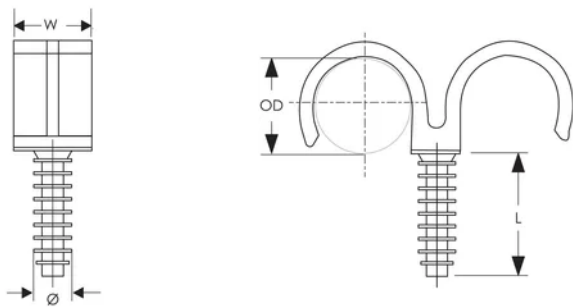
SPECIFICATIONS

Material: Polyamide

Table 1/1

Catalog Number	Article Number	Outer Diameter (OD)	Length (L)	Width (W)	Diameter (Ø)	Drill Bit Diameter
FRF020X2	571220	20 mm	30mm	20 mm	9.8 mm	8mm
FRF028X2	571250	28 mm	30mm	20 mm	9.8 mm	8mm
FRF022X2	571230	22 mm	30mm	20 mm	9.8 mm	8mm
FRF018X2	571210	18 mm	30mm	20 mm	9.8 mm	8mm
FRF025X2	571240	25 mm	30mm	20 mm	9.8 mm	8mm
FRF016X2	571200	16 mm	30mm	20 mm	9.8 mm	8mm

DIAGRAMS



WARNING

nVent products shall be installed and used only as indicated in nVent's product instruction sheets and training materials. Instruction sheets are available at www.nvent.com and from your nVent customer service representative. Improper installation, misuse, misapplication or other failure to completely follow nVent's instructions and warnings may cause product malfunction, property damage, serious bodily injury and death and/or void your warranty.

North America

+1.800.753.9221

Option 1 – Customer Care

Option 2 – Technical

Support

Europe

Netherlands:

+31 800-0200135

France:

+33 800 901 793

Europe

Germany:

800 1890272

Other Countries:

+31 13 5835404

APAC

Shanghai:

+ 86 21 2412 1618/19

Sydney:

+61 2 9751 8500



Our powerful portfolio of brands:

CADDY

ERICO

HOFFMAN

ILSCO

SCHROFF

TRACHTE

