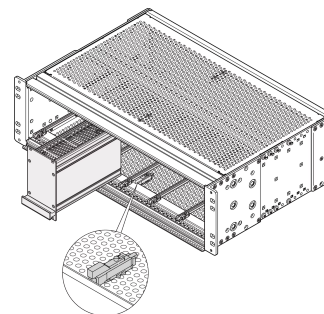
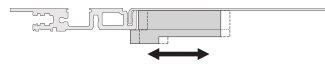
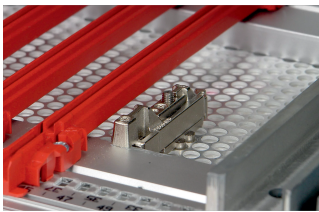


# EuropacPRO Cover Plate Fixing Kit

## Power Utilities

### CATALOG NUMBER

**24566-007**



Additional securing of the rugged cover plate to protect against shock and vibration. The Kit will be screwed onto the top / bottom cover. A movable bolt engages under the horizontal rails and thus provides additional fixing.

### CERTIFICATIONS



### FEATURES

Additional securing of the rugged cover plate

### PRODUCT ATTRIBUTES

Product Type: Hardware Kit

Works With: Subracks

Torque: 0.6 N-m

### WARNING

nVent products shall be installed and used only as indicated in nVent's product instruction sheets and training materials. Instruction sheets are available at [www.nvent.com](http://www.nvent.com) and from your nVent customer service representative. Improper

installation, misuse, misapplication or other failure to completely follow nVent's instructions and warnings may cause product malfunction, property damage, serious bodily injury and death and/or void your warranty.



Our powerful portfolio of brands:

**CADDY ERICO HOFFMAN ILSCO SCHROFF TRACHTE**