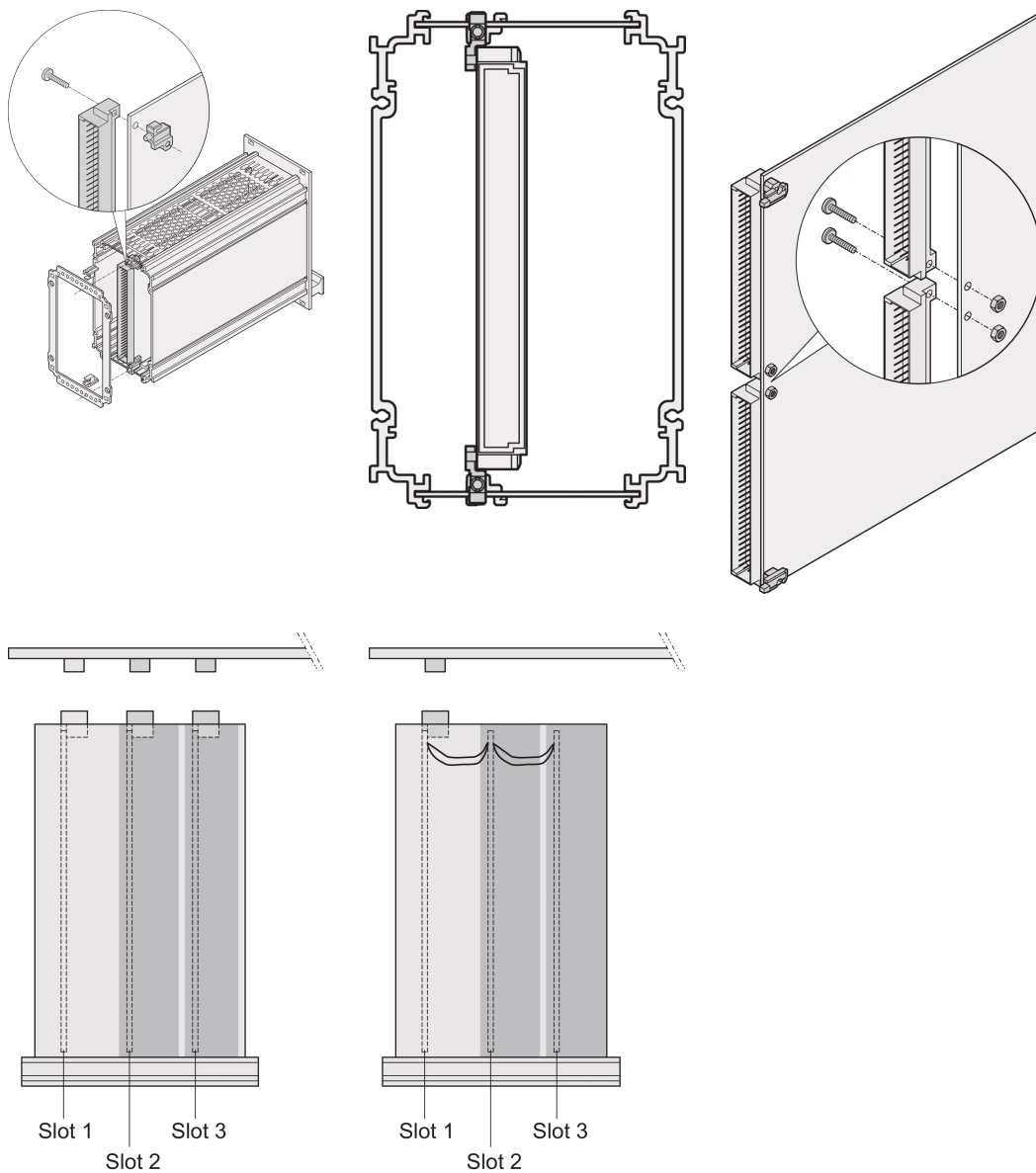


Frame Type Plug-In Unit PCB Mounting Support from Slot 2 on, 5 Pairs

CATALOG NUMBER

24812-301



PCB is inserted into the guide groove of the left side Panel or that of the side Panel rear angle, From Slot 2 on.

CERTIFICATIONS



FEATURES

PCB is inserted into the guide rails mounted inside the plug-in unit

Fixing occurs when the rear Panel is fitted

Suitable for frame type plug-in units with guide rails

PRODUCT ATTRIBUTES

Package Quantity: 10

Material: Zinc Alloy

Product Type: Hardware Kit

Type: Board Fixing, Slot 2

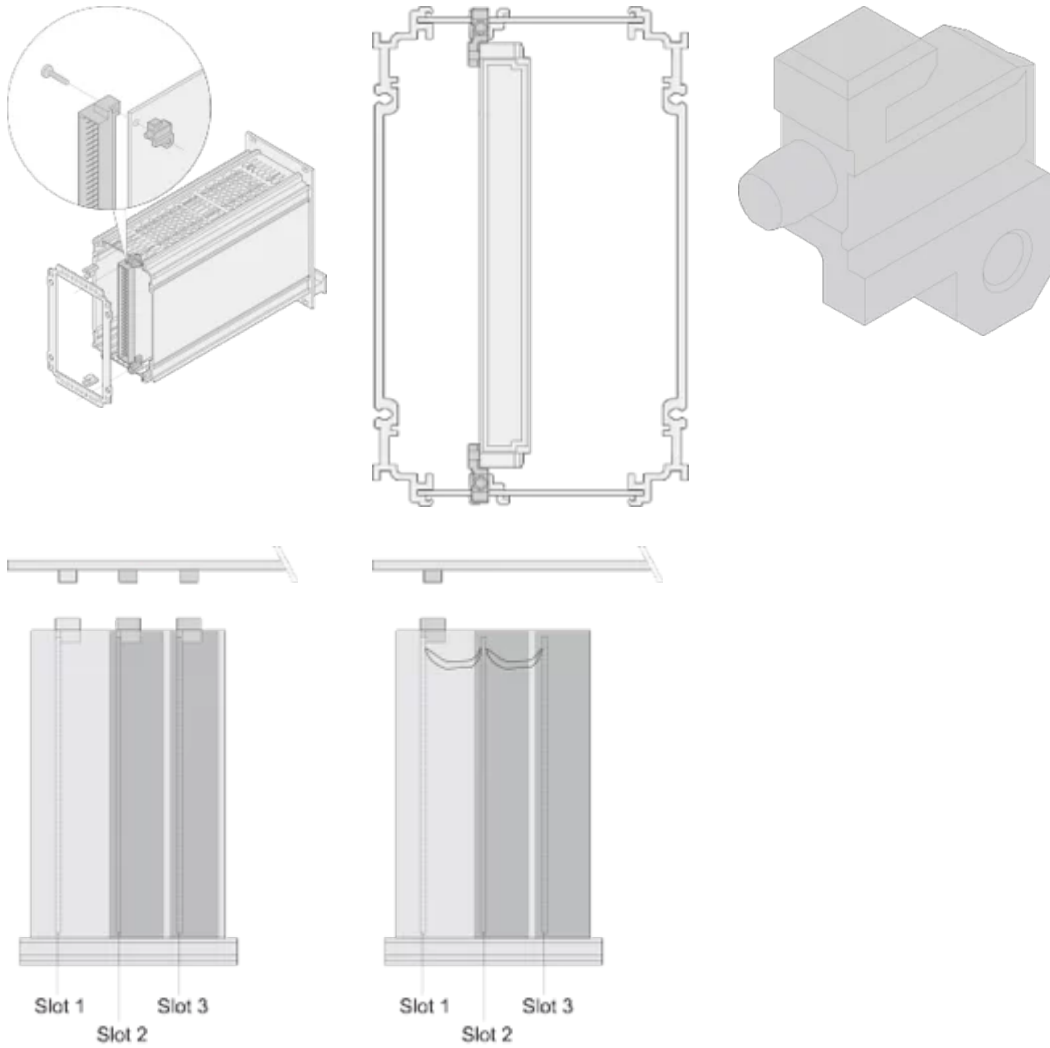
Works With: Cassettes

Net Weight: 0.026kg

ADDITIONAL PRODUCT DETAILS

Torx panhead screw (24560-178) is required to fix PCB without connector. Torx panhead screw (24812-600) is required to fix connector to PCB, in 6 U frame type plug-in units (center).

DIAGRAMS



WARNING

nVent products shall be installed and used only as indicated in nVent's product instruction sheets and training materials. Instruction sheets are available at www.nvent.com and from your nVent customer service representative. Improper installation, misuse, misapplication or other failure to completely follow nVent's instructions and warnings may cause product malfunction, property damage, serious bodily injury and death and/or void your warranty.

North America

All locations

+1.763.422.2661

Chat with us:

nvent.com/schroff

Europe

Straubenhardt, Germany

+49.7082.794.0

Betschdorf, France

+33.3.88.90.64.90

Warsaw, Poland

+48.22.209.98.35

Assago, Italy

+39.02.932.7141

Chat with us:

nvent.com/schroff

Asia

Shanghai, China

+86.21.2412.6943

Qingdao, China

+86.532.8771.6101

Singapore

+65.6768.5800

Shin-Yokohama, Japan

+81.45.476.0271

Chat with us:

nvent.com/schroff

Middle East & India

Dubai, United Arab

Emirates

+971.4.378.1700

Bangalore, India

+91.80.6715.2001

Istanbul, Turkey

+90.216.250.7374

Chat with us:

nvent.com/schroff



Our powerful portfolio of brands:

CADDY

ERICO

HOFFMAN

ILSCO

SCHROFF

TRACHTE