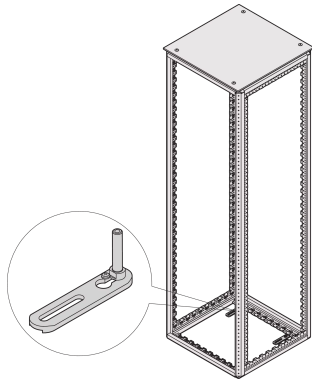


Varistar Tip-Over Protection for Floor Mounting

Data Solutions



Tip-Over Protection helps make floor mounted enclosures stable and prevents tip overs due to load imbalance. The tip over protector can be assembled on the frame or the plinth.

FEATURES

Height adjustable by integrated adjustable feet

For fixing to the floor

Assembly possible on frame or base/plinth

SPECIFICATIONS

Table 1/2

Catalog Number	Color	Color Code	Finish	Material	Package Quantity	Product Type
24630-056	Black Grey	RAL 7021	Powder Coated	Steel	1	Cabinet/Rack Base

Table 2/2

Catalog Number	Type	Works With
24630-056	Tip-Over Protection	Cabinet, Varistar CP

WARNING

nVent products shall be installed and used only as indicated in nVent's product instruction sheets and training materials. Instruction sheets are available at www.nvent.com and from your nVent customer service representative. Improper

installation, misuse, misapplication or other failure to completely follow nVent's instructions and warnings may cause product malfunction, property damage, serious bodily injury and death and/or void your warranty.



Our powerful portfolio of brands:

CADDY ERICO HOFFMAN ILSCO SCHROFF TRACHTE