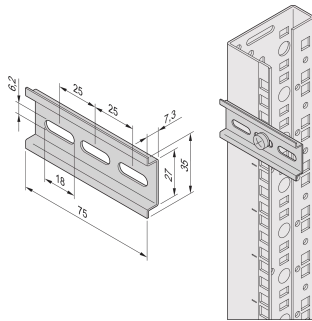


DIN Rail for Thermostat

Data Solutions



DIN rail for thermostat or hygostat clamping.

The rail short length is convenient for fixing devices with limited footprint.

CERTIFICATIONS



FEATURES

DIN rail (EN 50022) 35 mm with fixing materials kit

Lenght 75 mm

SPECIFICATIONS

Table 1/1

| Catalog Number | Height | Finish | Material | Package Quantity |
|----------------|--------|-------------|----------|------------------|
| 21120-178 | 7.3mm | Zinc Plated | Steel | 1 |

WARNING

nVent products shall be installed and used only as indicated in nVent's product instruction sheets and training materials. Instruction sheets are available at www.nvent.com and from your nVent customer service representative. Improper installation, misuse, misapplication or other failure to completely follow nVent's instructions and warnings may cause product malfunction, property damage, serious bodily injury and death and/or void your warranty.



Our powerful portfolio of brands:

CADDY ERICO HOFFMAN ILSCO SCHROFF TRACHTE