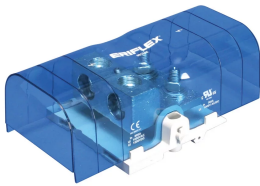


# SBLT-800 Lug-to-Tunnel Power Terminal

## Data Solutions



### CERTIFICATIONS



### FEATURES

- Tinned copper block allows for copper or aluminum conductor connections
- Accessible studs and tunnels allow for easy connection of nVent ERIFLEX Flexibar and other conductors
- Design allows for visual inspection of conductor and confirmation of connection
- Voltage detection and measurement connection
- Adjustable transparent cover
- Modular snap-together blocks for building multi-pole power blocks
- Easily clips onto DIN rail or mounts to panel with screws
- SBLEC Power Terminals Fixing Accessory required for direct panel mount
- RoHS compliant
- Halogen free

### SPECIFICATIONS

Catalog Number	SBLT-800
Article Number	561146
Material	Copper Thermoplastic
Finish	Tinned
Max Current Rating, IEC	1250A
Max Current Rating, UL/CSA	760A
Short Term Withstand Current (I <sub>cw</sub> ) 1s	57.6kA
Peak Short Circuit Current (I <sub>pk</sub> )	75kA
Short Circuit Current Rating (SCCR)	100kA
Max Working Voltage, IEC (U <sub>i</sub> )	1000 1500
Max Working Voltage, UL (V <sub>in</sub> )	1000
Number of Stud Connections	2
Stud Connection Conductor Width	(2) 20 – 40 mm (1) 50 – 80 mm
Stud Connection Compact Stranded Wire Size	(2) 35 – 300 mm <sup>2</sup>
Stud Connection Wire Size	(2) #1 - 500 kcmil
Number of Tunnel Connections	2
Tunnel Connection Compact Stranded Wire Size	(2) 95 – 240 mm <sup>2</sup>
Tunnel Connection Wire Size - Ferrule	(2) 50 – 185 mm <sup>2</sup>
Tunnel Connection Wire Size	(2) 3/0 – 500 kcmil
Depth (D)	75mm
Height (H)	205.7mm
Width (W)	115mm
A	108mm
Unit Weight	1.09kg
Certification Details	UL® 1059
Flammability Rating	UL® 94V-1
Complies With	IEC® 60947-7-1

## ADDITIONAL PRODUCT DETAILS

---

Power terminal connections are interchangeable and can be used as line side or load side connections.

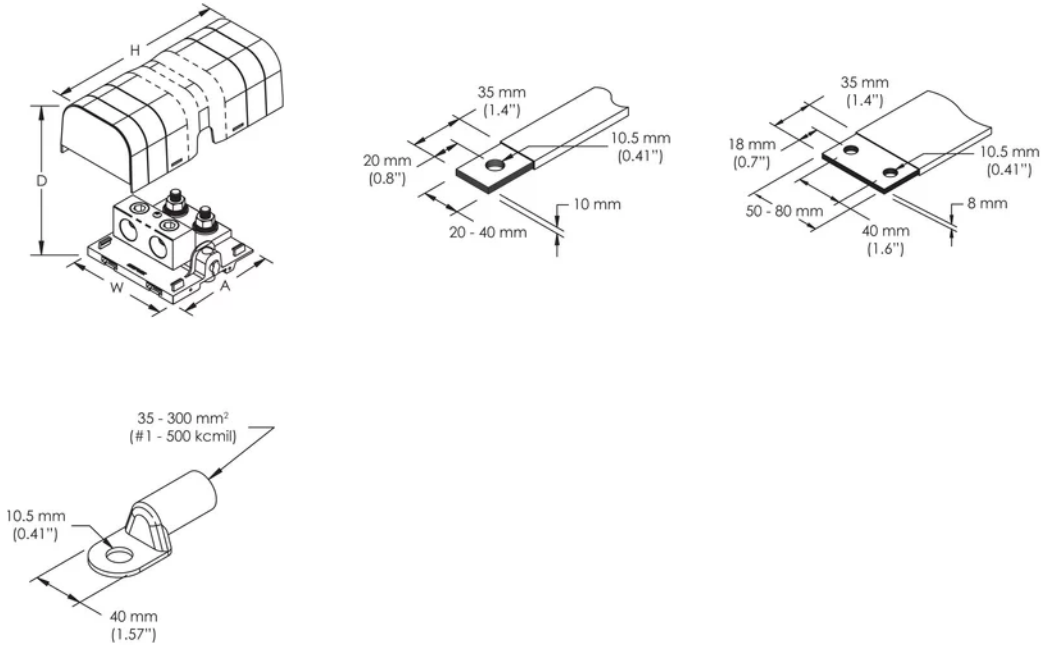
### Design Guideline for Distribution Blocks, Power Blocks and Power Terminals

Derating according to Ambient\* Temperature (°C) to maintain working temperature of 85°C

Ambient Temperature (°C)	30°	35°	40°	45°	50°	55°	60°	65°	70°	75°
Derating Coefficient (d)	1	1	1	0.94	0.88	0.82	0.75	0.67	0.58	0.47

\*environment around the terminal blocks inside the enclosure

## DIAGRAMS



## WARNING

nVent products shall be installed and used only as indicated in nVent's product instruction sheets and training materials. Instruction sheets are available at [www.nvent.com](http://www.nvent.com) and from your nVent customer service representative. Improper installation, misuse, misapplication or other failure to completely follow nVent's instructions and warnings may cause product malfunction, property damage, serious bodily injury and death and/or void your warranty.



Our powerful portfolio of brands:

**CADDY   ERICO   HOFFMAN   ILSCO   SCHROFF   TRACHTE**