

nVent CADDY Superfix 454 Standard Duty



FEATURES

Recommended for the suspension of stationary non-insulated pipe lines

Easy-to-close clamp for steel pipe and copper tube

Unique hinged design eliminates the need to disassemble the clamp prior to installation

Clamp can be closed with one hand, without ever turning a screw

All-steel design of the closing mechanism retains strength even when exposed to heat

Comes with a welded 3/8" cap nut, allowing easy attachment to threaded rod

Combo head bolt works with slotted, hex, or Phillips drivers

Conforms with Manufacturers Standardization Society (MSS) SP-58 (Type 12)

Category II noise reduction according to DIN EN ISO 3822-1

Compliant for sound insulation design according to DIN 4109

Reaction-to-fire classification is "E" in compliance with DIN EN 13501-1

SPECIFICATIONS

- Finish:** Electrogalvanized
- Material:** Steel;EPDM-SBR Rubber
- Temperature:** -50 to 110 °C

Table 1/1

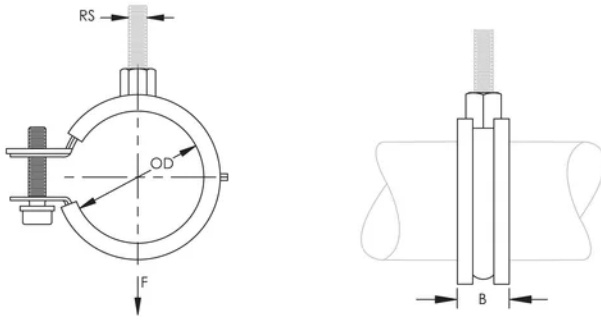
Catalog Number	Outer Diameter (OD)	Copper Tube Size	B	Static Load
454001	12.7 mm	3/8"	23.02 mm	800N

Catalog Number	Outer Diameter (OD)	Copper Tube Size	B	Static Load
454002	15.9 - 17.1 mm	1/2"	23.02 mm	800N
454003	19.1 mm	5/8"	23.02 mm	800N
454004	21.3 - 22.2 mm	3/4"	23.02 mm	800N
454005	26.7 - 28.6 mm	1"	23.02 mm	800N
454006	33.4 - 34.9 mm	1 1/4"	23.02 mm	800N
454007	42.2 mm Min	1 1/2"	23.02 mm	800N
454008	48.0 - 48.3 mm		23.02 mm	800N
454009	54 mm	2"	23.81 mm	800N
454010	57.0 - 60.3 mm		23.02 mm	800N
454011	63.0 - 66.7 mm	2 1/2"	23.02 mm	1330N
454012	69.7 - 73 mm		23.81 mm	1330N
454013	73.8 - 79.4 mm	3"	23.81 mm	1330N
454014	83.0 - 88.9 mm		23.81 mm	1330N
454015	92.1 mm	3 1/2"	23.02 mm	1330N
454016	101.6 - 104.8 mm	4"	28.57 mm	1330N
454017	108.0 - 114.3 mm		28.57 mm	1330N

ADDITIONAL PRODUCT DETAILS

Lining is EPDM rubber.

DIAGRAMS



WARNING

nVent products shall be installed and used only as indicated in nVent's product instruction sheets and training materials. Instruction sheets are available at www.nvent.com and from your nVent customer service representative. Improper installation, misuse, misapplication or other failure to completely follow nVent's instructions and warnings may cause product malfunction, property damage, serious bodily injury and death and/or void your warranty.

North America

+1.800.753.9221
Option 1 – Customer Care
Option 2 – Technical
Support

Europe

Netherlands:
+31 800-0200135
France:
+33 800 901 793

Europe

Germany:
800 1890272
Other Countries:
+31 13 5835404

APAC

Shanghai:
+ 86 21 2412 1618/19
Sydney:
+61 2 9751 8500



Our powerful portfolio of brands:

CADDY ERICO HOFFMAN ILSCO SCHROFF TRACHTE

