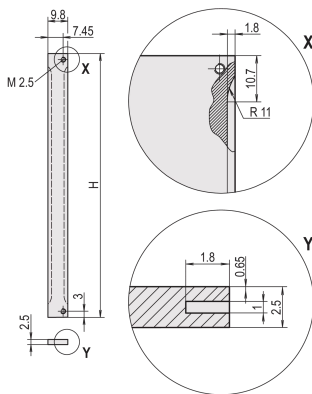


Front Panel, Refrofit Shielding, 6 U, 2 HP, 2.5 mm, Al, Anodized, Untreated Edges

CATALOG NUMBER

30846-865



Flat front panel. Shieldable with stainless steel EMC gasket.

CERTIFICATIONS



FEATURES

For stainless steel EMC gasket

Al, 2.5 mm, front anodized, conductive

PRODUCT ATTRIBUTES

Rack Height: 6U

Rack Width: 2HP

Package Quantity: 1

Accessory Type: Front panel

Mounting: Screw-on Front

Gasket Type: Stainless Steel EMC

Front Finish: Anodized

North America

All locations

+1.763.422.2661

Chat with us:

nvent.com/schroff

Europe

Straubenhardt, Germany

+49.7082.794.0

Betschdorf, France

+33.3.88.90.64.90

Warsaw, Poland

+48.22.209.98.35

Assago, Italy

+39.02.932.7141

Chat with us:

nvent.com/schroff

Asia

Shanghai, China

+86.21.2412.6943

Qingdao, China

+86.532.8771.6101

Singapore

+65.6768.5800

Shin-Yokohama, Japan

+81.45.476.0271

Chat with us:

nvent.com/schroff

Middle East & India

Dubai, United Arab

Emirates

+971.4.378.1700

Bangalore, India

+91.80.6715.2001

Istanbul, Turkey

+90.216.250.7374

Chat with us:

nvent.com/schroff



Our powerful portfolio of brands:

CADDY

ERICO

HOFFMAN

ILSCO

SCHROFF

TRACHTE