

HCBC High Current Busbar Clamp



CERTIFICATIONS



FEATURES

Connects copper busbar to copper busbar, nVent ERIFLEX Flexibar or power shunt

Made with non-magnetic materials for high current connections between nVent ERIFLEX Flexibar and rigid busbars such as transformer terminals

Rigid design assures even contact pressure

Installs quickly and easily

Ideal for on site modifications

RoHS compliant

SPECIFICATIONS

Clamping Capacity: 40mm

Material: Stainless Steel 304 (EN 1.4301)

Table 1/2

Catalog Number	Article Number	Conductor Width	Depth (D)	Height (H)	Width (W)	Thickness (T)
HCBC80	553100	80 mm	20mm	43 mm	140 mm	4 mm

CatalogNumber	Article Number	Conductor Width	Depth (D)	Height (H)	Width (W)	Thickness (T)
HCBC120	553120	120 mm	20mm	43 mm	180 mm	4 mm
HCBC100	553110	100 mm	20mm	43 mm	160 mm	4 mm

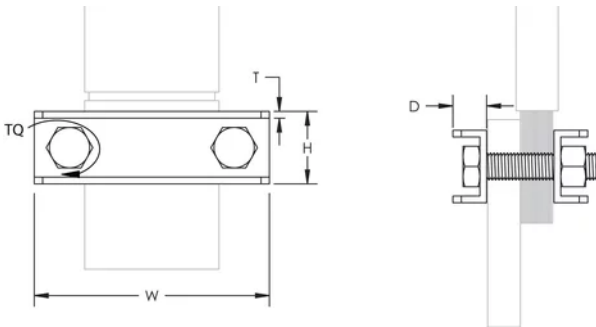
Table 2/2

Catalog Number	Article Number	Torque (TQ)	Unit Weight
HCBC80	553100	100 N·m	0.84 kg
HCBC120	553120	100 N·m	1 kg
HCBC100	553110	100 N·m	0.92 kg

ADDITIONAL PRODUCT DETAILS

Use two clamps for optimal contact pressure.

DIAGRAMS



WARNING

nVent products shall be installed and used only as indicated in nVent's product instruction sheets and training materials. Instruction sheets are available at www.nvent.com and from your nVent customer service representative. Improper installation, misuse, misapplication or other failure to completely follow nVent's instructions and warnings may cause product malfunction, property damage, serious bodily injury and death and/or void your warranty.

North America

+1.800.753.9221

Option 1 – Customer Care

Option 2 – Technical

Support

Europe

Netherlands:

+31 800-0200135

France:

+33 800 901 793

Europe

Germany:

800 1890272

Other Countries:

+31 13 5835404

APAC

Shanghai:

+ 86 21 2412 1618/19

Sydney:

+61 2 9751 8500



Our powerful portfolio of brands:

CADDY

ERICO

HOFFMAN

ILSCO

SCHROFF

TRACHTE