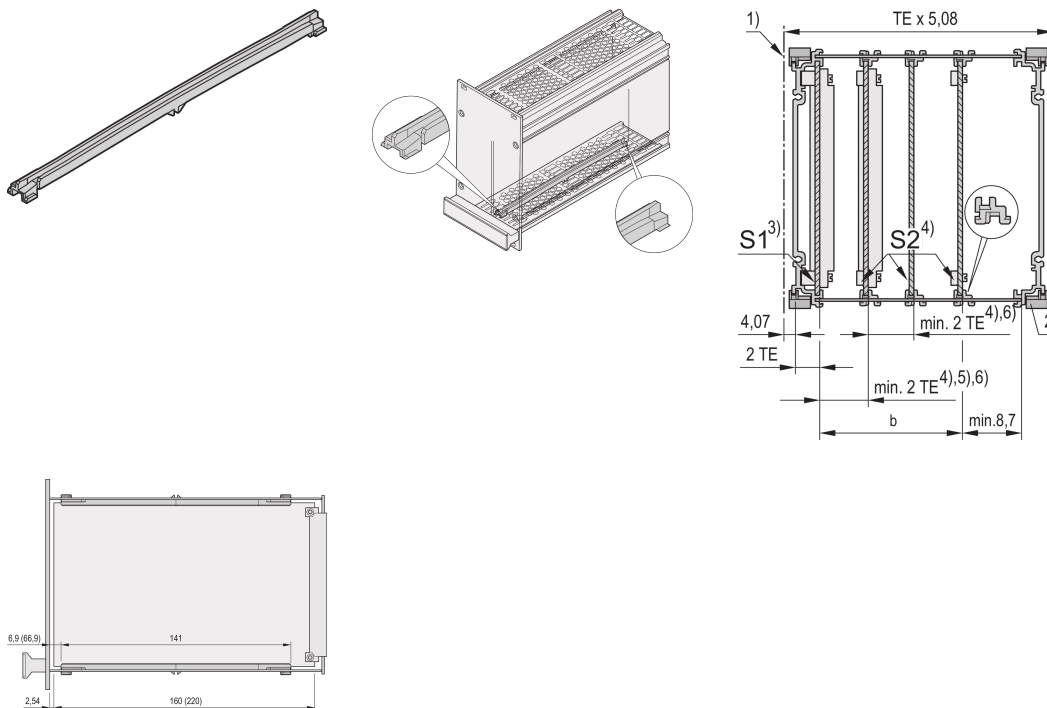


Frame Type Plug-In Unit Guide Rail, 5 Pairs

CATALOG NUMBER

24812-101



The guide rails can be clipped onto the perforated top / bottom cover. It is required if the PCB will be assembled from Slot 2.

CERTIFICATIONS



FEATURES

PCB fixing required from slot 2

Groove width 2 mm

PBT, UL, 94, V-0

Red

PRODUCT ATTRIBUTES

Product Type: Guide Rail

Type: Frame Type Plug-In Unit

Works With: Frame Type Plug-In Unit

Board Depth: 160mm

Groove Width: 2

Material: Polycarbonate

Color: Red

Package Quantity: 10

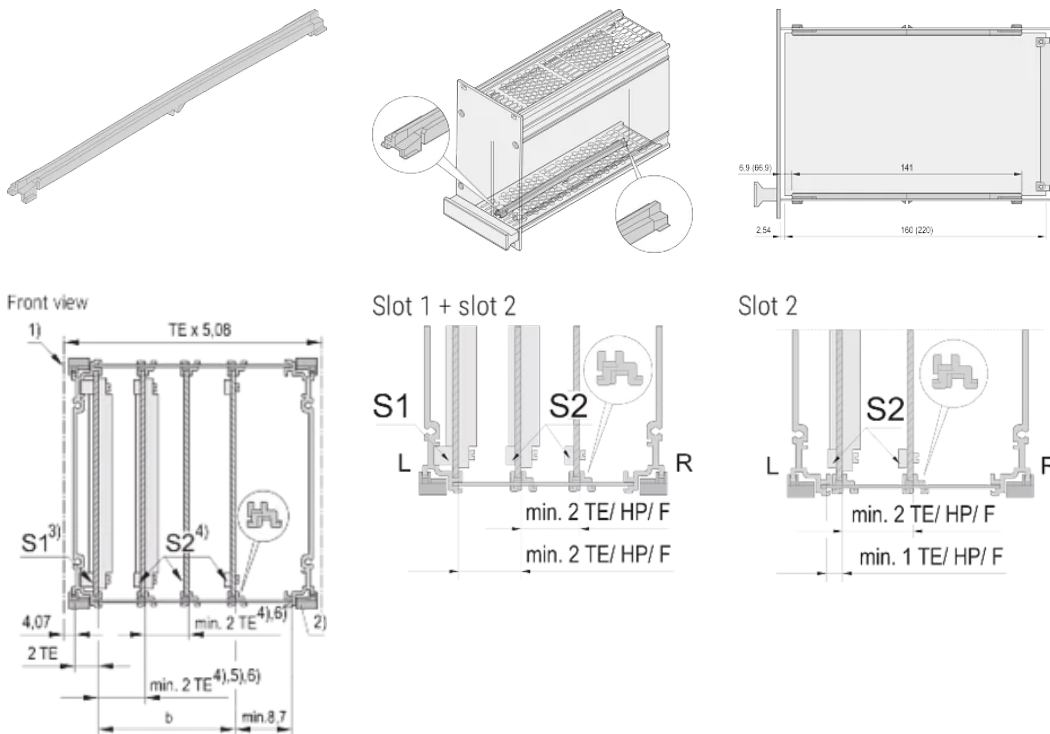
Package Unit: Pair

Gross Weight: 0.037kg

ADDITIONAL PRODUCT DETAILS

Guide rail fit to 167 mm and 227 deep cassettes.

DIAGRAMS



WARNING

nVent products shall be installed and used only as indicated in nVent's product instruction sheets and training materials. Instruction sheets are available at www.nvent.com and from your nVent customer service representative. Improper installation, misuse, misapplication or other failure to completely follow nVent's instructions and warnings may cause product malfunction, property damage, serious bodily injury and death and/or void your warranty.

North America

All locations
+1.763.422.2661
Chat with us:
nvent.com/schroff

Europe

Straubenhardt, Germany
+49.7082.794.0
Betschdorf, France
+33.3.88.90.64.90
Warsaw, Poland
+48.22.209.98.35
Assago, Italy
+39.02.932.7141
Chat with us:
nvent.com/schroff

Asia

Shanghai, China
+86.21.2412.6943
Qingdao, China
+86.532.8771.6101
Singapore
+65.6768.5800
Shin-Yokohama, Japan
+81.45.476.0271
Chat with us:
nvent.com/schroff

Middle East & India

Dubai, United Arab
Emirates
+971.4.378.1700
Bangalore, India
+91.80.6715.2001
Istanbul, Turkey
+90.216.250.7374
Chat with us:
nvent.com/schroff



Our powerful portfolio of brands:

CADDY ERICO HOFFMAN ILSCO SCHROFF TRACHTE