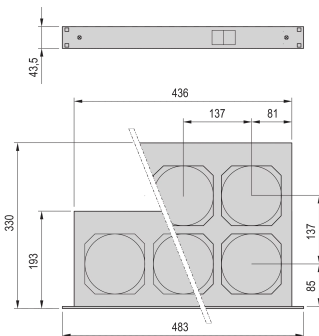
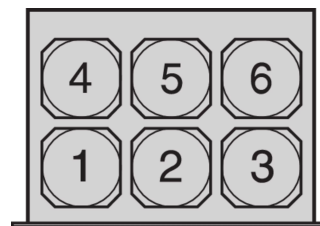


# 19" Fan Unit, 1 U, With Front Switch, 6 fans, 230 VAC

## CATALOG NUMBER

**10713-112**



Front-mounted, illuminated mains switch on AC devices, coupled with additional rear mains outlet; mechanical strain relief for mains input and mains output cables.

## CERTIFICATIONS



## FEATURES

Can be adapted to subracks

Contact protection in accordance with DIN EN ISO 13857

## PRODUCT ATTRIBUTES

---

Product Type: Fan Unit

Input Voltage AC: 230V

Package Quantity: 1

Finish: Aluminum-Zinc Plated; Anodized

Material: Steel; Aluminum

Net Weight: 5.63kg

## ADDITIONAL PRODUCT DETAILS

---

Please order mains cable separately.

Wide-range input voltage (86 ... 264 VAC) available on request.

## WARNING

---

nVent products shall be installed and used only as indicated in nVent's product instruction sheets and training materials. Instruction sheets are available at [www.nvent.com](http://www.nvent.com) and from your nVent customer service representative. Improper installation, misuse, misapplication or other failure to completely follow nVent's instructions and warnings may cause product malfunction, property damage, serious bodily injury and death and/or void your warranty.

### North America

All locations

+1.763.422.2661

Chat with us:

[nvent.com/schroff](http://nvent.com/schroff)

### Europe

Straubenhardt, Germany

+49.7082.794.0

Betschdorf, France

+33.3.88.90.64.90

Warsaw, Poland

+48.22.209.98.35

Assago, Italy

+39.02.932.7141

Chat with us:

[nvent.com/schroff](http://nvent.com/schroff)

### Asia

Shanghai, China

+86.21.2412.6943

Qingdao, China

+86.532.8771.6101

Singapore

+65.6768.5800

Shin-Yokohama, Japan

+81.45.476.0271

Chat with us:

[nvent.com/schroff](http://nvent.com/schroff)

### Middle East & India

Dubai, United Arab

Emirates

+971.4.378.1700

Bangalore, India

+91.80.6715.2001

Istanbul, Turkey

+90.216.250.7374

Chat with us:

[nvent.com/schroff](http://nvent.com/schroff)



Our powerful portfolio of brands:

**CADDY**

**ERICO**

**HOFFMAN**

**ILSCO**

**SCHROFF**

**TRACHTE**