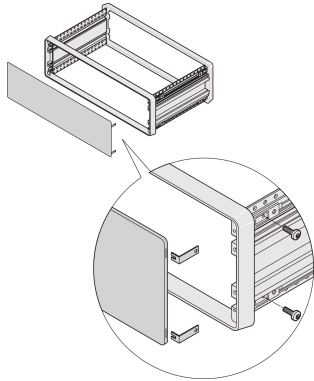


CompacPRO Front/Rear Panel, With Hidden Fixing



The front panel for CompacPRO Case mounts to the frame of the case. The front panel has no visible screws and can be used for front foil.

CERTIFICATIONS



FEATURES

Al panel, 2.5 mm

SPECIFICATIONS

| | |
|------------------------|-------------|
| Material: | Aluminum |
| Finish: | Anodized |
| Accessory Type: | Front panel |
| Product Type: | Front Panel |

Table 1/2

| Catalog Number | Rack Height | Height | Rack Width | Width | Package Quantity | Front Finish |
|----------------|-------------|--------|------------|---------|------------------|--------------|
| 24575-035 | 2U | 84mm | 42HP | 238.7mm | 1 | Anodized |

| CatalogNumber | Rack Height | Height | Rack Width | Width | Package Quantity | Front Finish |
|---------------|-------------|---------|------------|---------|------------------|--------------|
| 24575-075 | 2U | 84mm | 84HP | 452.1mm | 1 | Anodized |
| 24575-115 | 3U | 128.4mm | 28HP | 167.5mm | 1 | Anodized |
| 24575-135 | 3U | 128.4mm | 42HP | 238.7mm | 1 | Anodized |
| 24575-155 | 3U | 128.4mm | 63HP | 345.4mm | 1 | Anodized |
| 24575-175 | 3U | 128.4mm | 84HP | 452.1mm | 1 | Anodized |
| 24575-235 | 4U | 172.9mm | 42HP | 238.7mm | 1 | Anodized |
| 24575-255 | 4U | 172.9mm | 63HP | 345.4mm | 1 | Anodized |
| 24575-275 | 4U | 172.9mm | 84HP | 452.1mm | 1 | Anodized |
| 24575-455 | 6U | 261.8mm | 63HP | 345.4mm | 1 | Anodized |
| 24575-475 | 6U | 261.8mm | 84HP | 452.1mm | 1 | Anodized |

Table 2/2

| Catalog Number | Rear Finish | Treated Edges | Depth | Quick Ship |
|----------------|-------------|---------------|-------|------------|
| 24575-035 | Anodized | No | 2.5mm | No |
| 24575-075 | Anodized | No | 2.5mm | No |
| 24575-115 | Anodized | No | 2.5mm | No |
| 24575-135 | Anodized | No | 2.5mm | No |
| 24575-155 | Anodized | No | 2.5mm | No |
| 24575-175 | Anodized | No | 2.5mm | No |
| 24575-235 | Anodized | No | 2.5mm | No |

| Catalog Number | Rear Finish | Treated Edges | Depth | Quick Ship |
|----------------|-------------|---------------|-------|------------|
| 24575-255 | Anodized | No | 2.5mm | No |
| 24575-275 | Anodized | No | 2.5mm | No |
| 24575-455 | Anodized | No | 2.5mm | No |
| 24575-475 | Anodized | No | 2.5mm | No |

WARNING

nVent products shall be installed and used only as indicated in nVent's product instruction sheets and training materials. Instruction sheets are available at www.nvent.com and from your nVent customer service representative. Improper installation, misuse, misapplication or other failure to completely follow nVent's instructions and warnings may cause product malfunction, property damage, serious bodily injury and death and/or void your warranty.

North America

All locations
+1.763.422.2661
Chat with us:
nvent.com/schroff

Europe

Straubenhardt, Germany
+49.7082.794.0
Betschdorf, France
+33.3.88.90.64.90
Warsaw, Poland
+48.22.209.98.35
Assago, Italy
+39.02.932.7141
Chat with us:
nvent.com/schroff

Asia

Shanghai, China
+86.21.2412.6943
Qingdao, China
+86.532.8771.6101
Singapore
+65.6768.5800
Shin-Yokohama, Japan
+81.45.476.0271
Chat with us:
nvent.com/schroff

Middle East & India

Dubai, United Arab Emirates
+971.4.378.1700
Bangalore, India
+91.80.6715.2001
Istanbul, Turkey
+90.216.250.7374
Chat with us:
nvent.com/schroff



Our powerful portfolio of brands:

CADDY ERICO HOFFMAN ILSCO SCHROFF TRACHTE