

# Branch Line Restraint Structure Attachment to Wood/Concrete

## Data Solutions



### CERTIFICATIONS



### FEATURES

Swivel barrel nut accepts 3/8" or 1/2" (M10 or M12) threaded rod

Attaches to wood or concrete where cracked concrete approval is not needed

### SPECIFICATIONS

**Finish:** Electrogalvanized

**Material:** Steel

Table 1/2

Catalog Number	Article Number	Rod Size (RS)	Height (H)	Length (L)	Width (W)	Screw Length (L)
CSBBRS2MEG	402240	10, 12	28.2mm	40.4mm	26.9mm	44.5mm

CatalogNumber	Article Number	Rod Size (RS)	Height (H)	Length (L)	Width (W)	Screw Length (L)
CSBBRS2EG		0.375, 0.5	28.2mm	40.4mm	26.9mm	44.5mm

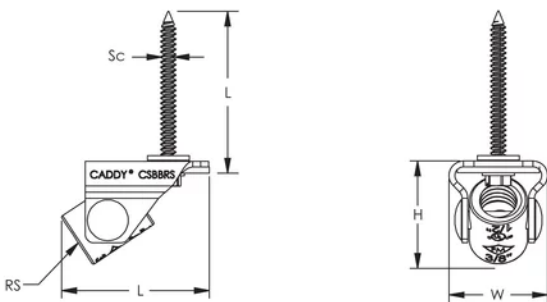
Table 2/2

Catalog Number	Article Number	Drill Bit Diameter
CSBBRS2MEG	402240	5mm
CSBBRS2EG		5mm

## ADDITIONAL PRODUCT DETAILS

Branch line structural attachments are for restraint only and not for the hanging of fire sprinkler piping.

## DIAGRAMS



## WARNING

nVent products shall be installed and used only as indicated in nVent's product instruction sheets and training materials. Instruction sheets are available at [www.nvent.com](http://www.nvent.com) and from your nVent customer service representative. Improper installation, misuse, misapplication or other failure to completely follow nVent's instructions and warnings may cause product malfunction, property damage, serious bodily injury and death and/or void your warranty.



Our powerful portfolio of brands:

**CADDY   ERICO   HOFFMAN   ILSCO   SCHROFF   TRACHTE**