

nVent CADDY Pyramid Tool-Free Pipe Support Kit



FEATURES

Push-in clamps install without the need for additional tools or strut clamps

Ready to use out of the box, saving installation time and labor

Plastic clamps and base will not corrode pipe

Clamps come in two different sizes to fit project needs

Base includes multiple holes to accommodate a variety of clamp sizes and configurations

Additional clamps can be purchased separately for additional pipe runs

Foam bottom offers low abrasion interface for better roof membrane protection

Provides superior load distribution, even with varying rooftop surfaces

Compatible with roof surfaces including single ply, bituminous, metal and spray foam

Multiple sizes and load ratings offer the ability to tailor the solution to the application

Easy to transport to the roof

SPECIFICATIONS

- Static Load Safety Factor:** 3:1
- Material:** Polyethylene; Polypropylene; Nylon
- Temperature:** -45 to 65 °C

Table 1/2

Catalog Number	Article Number	Length 1 (L1)	Length 2 (L2)	Length 3 (L3)	Width (W)	Height (H)

PTF6	360460	196 mm		81mm	150 mm	102 mm
PTF10	360461	318 mm	122 mm	163mm	201 mm	102 mm
PTF16	360462	480 mm	203 mm	244mm	201 mm	102 mm

Table 2/2

Catalog Number	Article Number	A	B	Surface Area	Unit Weight	Static Load
PTF6	360460	122 mm	41 mm	26452mm ²	0.3 kg	1330N
PTF10	360461	203 mm	41 mm	59355mm ²	0.5 kg	4450N
PTF16	360462	285 mm	41 mm	91613mm ²	1 kg	6670N

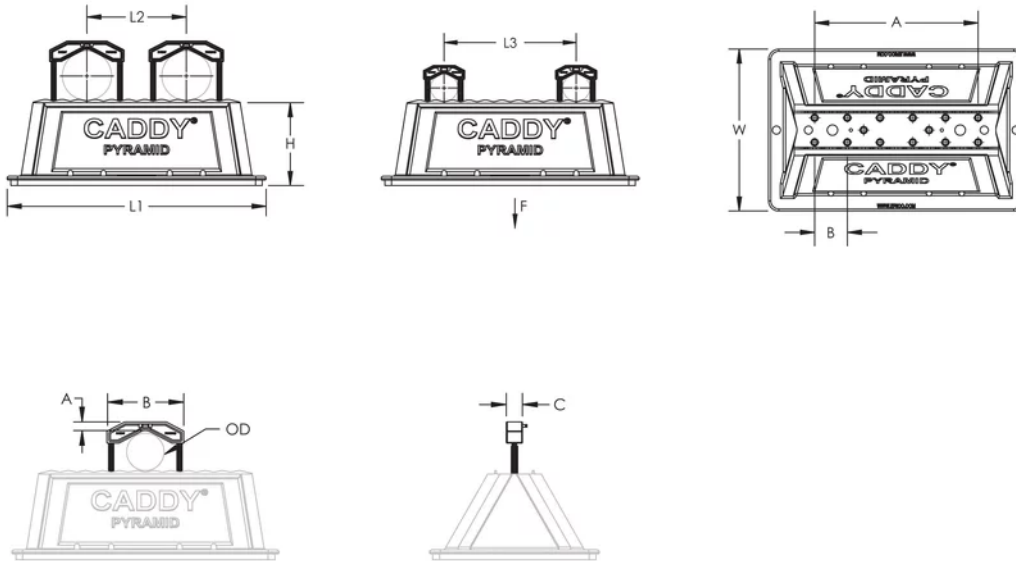
ADDITIONAL PRODUCT DETAILS

Length 2 represents maximum pipe center to pipe center using PTF2C clamps. Length 3 represents maximum pipe center to pipe center using PTF1C clamps.

Tool-Free Pipe Clamp				
Part Number	Outer Diameter OD	A	B	C
PTF1C	12.7 – 22.4 mm	9.5 mm	40.6 mm	19.1 mm
PTF2C	21.3 – 60.3 mm	9.5 mm	81.3 mm	19.1 mm

Part Number	Number of Clamps Included		Maximum Clamp Capacity	
	PTF1C	PTF2C	PTF1C	PTF2C
PTF6	1	1	3	1
PTF10	-	2	5	2
PTF16	-	2	7	3

DIAGRAMS



WARNING

nVent products shall be installed and used only as indicated in nVent's product instruction sheets and training materials. Instruction sheets are available at www.nvent.com and from your nVent customer service representative. Improper installation, misuse, misapplication or other failure to completely follow nVent's instructions and warnings may cause product malfunction, property damage, serious bodily injury and death and/or void your warranty.

North America

+1.800.753.9221
 Option 1 – Customer Care
 Option 2 – Technical Support

Europe

Netherlands:
 +31 800-0200135
 France:
 +33 800 901 793

Europe

Germany:
 800 1890272
 Other Countries:
 +31 13 5835404

APAC

Shanghai:
 + 86 21 2412 1618/19
 Sydney:
 +61 2 9751 8500



Our powerful portfolio of brands:

CADDY ERICO HOFFMAN ILSCO SCHROFF TRACHTE

