

Strut Beam Clamp with U-Bolt



FEATURES

Complete with U-bolt and nuts

Requires installation in pairs

SPECIFICATIONS

Table 1/3

Catalog Number	Article Number	Material	Finish	Strut Type	Rod Size (RS)	Flange Thickness (FT)
ZTA601HD	387701	Steel	Hot-Dip Galvanized	A (41 x 41 mm), C (21 x 41 mm), CC (41 x 41 mm)	10	18 mm Max

Table 2/3

Catalog Number	Article Number	Width (W)	Thickness (T)	A	B	C
ZTA601HD	387701	80 mm	6 mm	24 mm	45 mm	95 mm

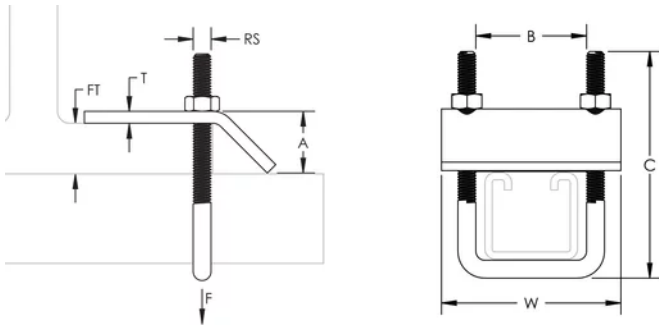
Table 3/3

Catalog Number	Article Number	Static Load
ZTA601HD	387701	5000N

ADDITIONAL PRODUCT DETAILS

Static Load is based on one pair of Strut Beam Clamps.

DIAGRAMS



WARNING

nVent products shall be installed and used only as indicated in nVent's product instruction sheets and training materials. Instruction sheets are available at www.nvent.com and from your nVent customer service representative. Improper installation, misuse, misapplication or other failure to completely follow nVent's instructions and warnings may cause product malfunction, property damage, serious bodily injury and death and/or void your warranty.

North America

+1.800.753.9221
Option 1 – Customer Care
Option 2 – Technical
Support

Europe

Netherlands:
+31 800-0200135
France:
+33 800 901 793

Europe

Germany:
800 1890272
Other Countries:
+31 13 5835404

APAC

Shanghai:
+ 86 21 2412 1618/19
Sydney:
+61 2 9751 8500



Our powerful portfolio of brands:

CADDY ERICO HOFFMAN ILSCO SCHROFF TRACHTE

